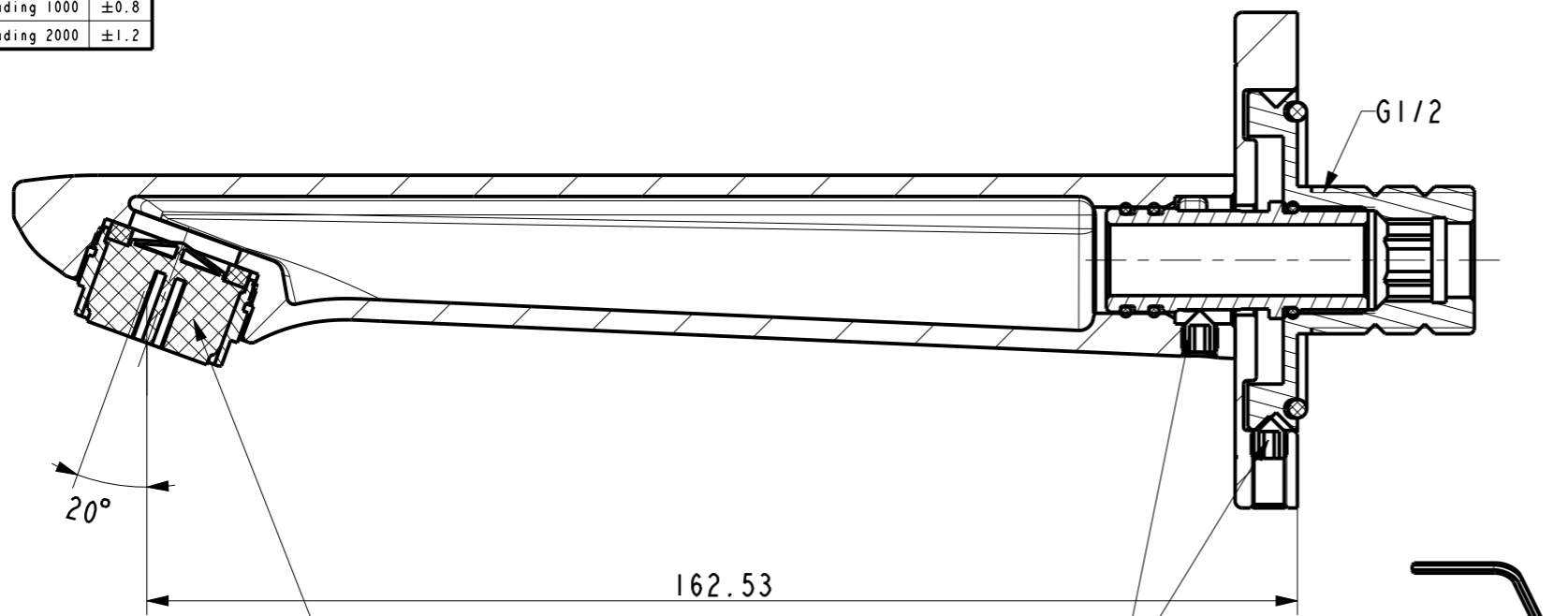
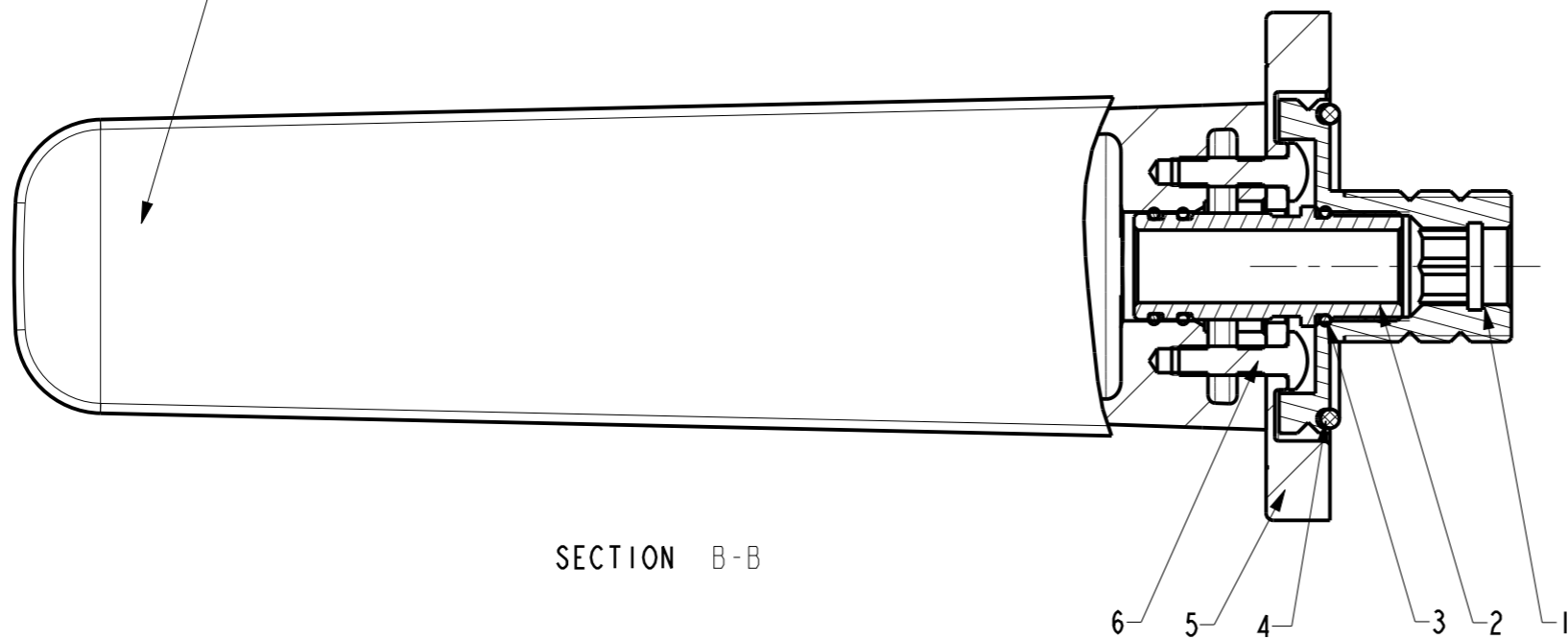


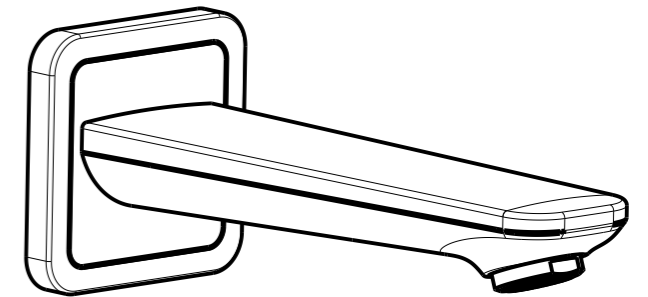
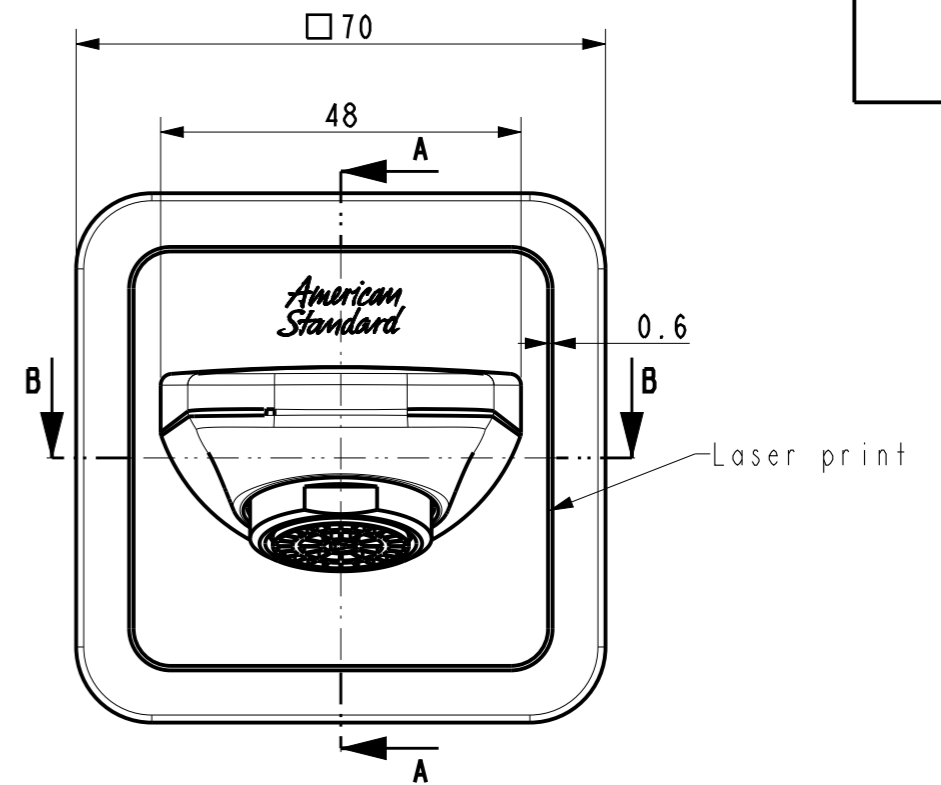
Tolerance, Unless Otherwise Stated, Is				
Above	0.5 to and including	6	±0.1	
Excess	6 to and including	30	±0.2	
Excess	30 to and including	120	±0.3	
Excess	120 to and including	315	±0.5	
Excess	315 to and including	1000	±0.8	
Excess	1000 to and including	2000	±1.2	



SECTION A-A  
SCALE 1.000



SECTION B-B



10	FF1-CN521Z00000254	In-Hex Wrench	1	SUS 304	
9	FFZZ0904-10150BPPL	Milano Tub Spout	1	GkMs60Fk	Chrome
8	FF1-CN521A00000051	Aerator	1	Assembly	
7	FF1-CN521N00000228	Screw M5*6	2	SUS 304	
6	FF1-CN521N00000165	Screw M4*15	2	SUS 304	
5	FF1-CN521F00000091	Escutcheon	1	Hpb59-1	Chrome
4	FF1-CN521G00000361	O-RING-39.34*2.62	1	NBR	
3	FF1-CN521G00000289	O-Ring $\phi 11*\phi 1.5$	3	NBR	
2	FF1-CN521J00000451	Spout Adapter	1	Hpb59-1	
1	FF1-CN521J00000450	Connector	1	Hpb59-1	
NO.	PART NO.	PART NAME	QTY	MATERIAL	FINISH

DESIGNED			TITLE	
CHECKED			REF	
APPROVED			Milano Wall Mount Bath Spout	
SCALE	MATERIAL	WEIGHT	DWG NO.	<i>American Standard</i>
1:1	Assembly		FFAS9714-000500BF0	

REV	DESCRIPTION	DATE	NAME