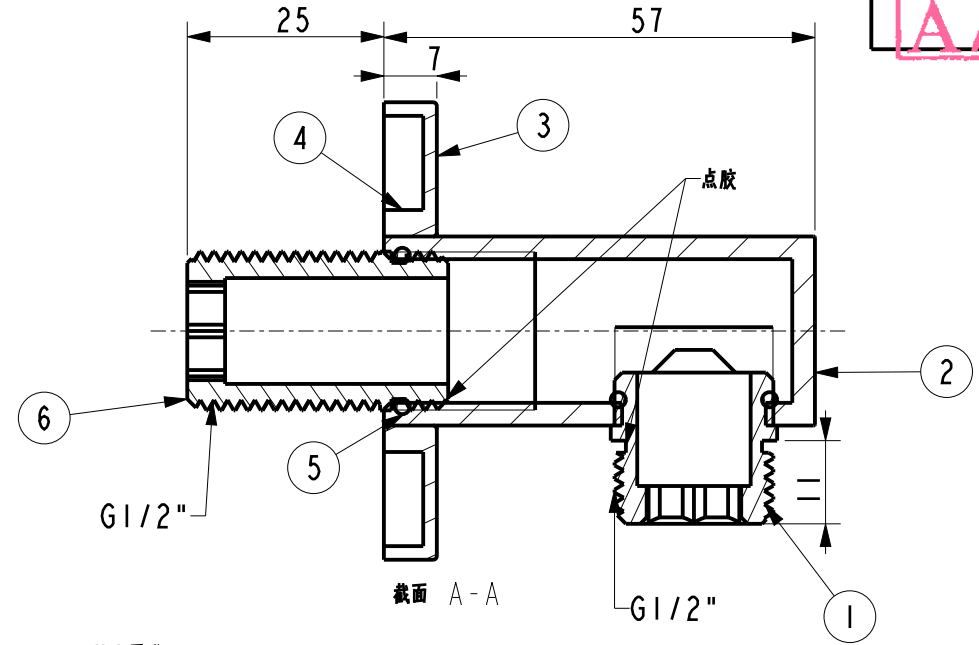
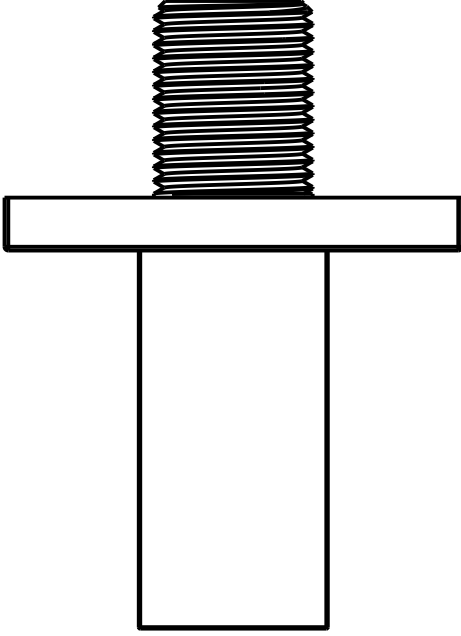
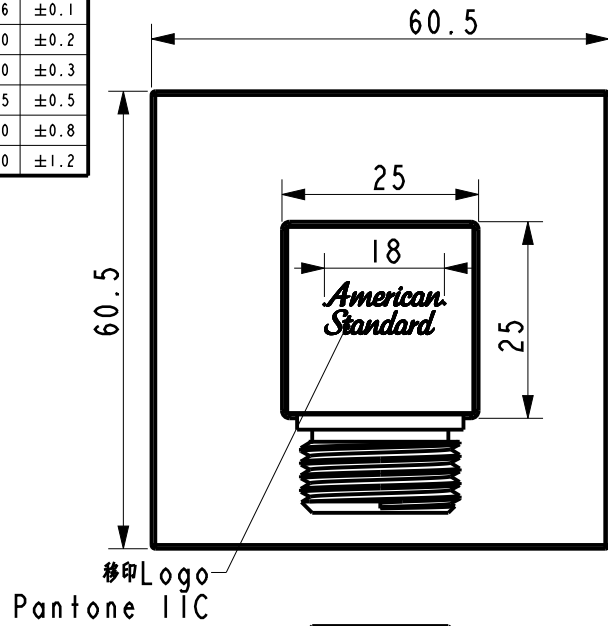


2023年12月11日

A/O

Tolerance, Unless Otherwise Stated. Is			
Above	0.5 to and including	6	±0.1
Excess	6 to and including	30	±0.2
Excess	30 to and including	120	±0.3
Excess	120 to and including	315	±0.5
Excess	315 to and including	1000	±0.8
Excess	1000 to and including	2000	±1.2



技术要求:

1. 移印美标商标图案 位置如图所示。字长18mm, 颜色pantone冷灰色11C
2. 颜色零件符合《W110.0575_PVD外观检验标准》
3. 移印符合《W110.4810_移印检验标准》
4. 产品与现有成品FFAS9142-000500BC0尺寸相同, 颜色不同

NO.	Part NO.	Description	Material	QTY	Surface Treatment
6	FF1-CN521J0031650B	9142 连接接头	SUS304	1	
5	FF1-CN521G0012299P	O圈 (Φ20×Φ2)	NBR	2	
4	FF1-CN521G0012199P	9142 方形胶圈浅灰色	ABS	1	
3	FF1-CN521F00167A0P	9142 装饰盖_星河灰	ABS	1	星河灰
2	FF1-CN521B00049A0B	9142 墙座主体_星河灰	HPb59-1	1	星河灰
1	FF1-CN521J00315A0B	9142 出水接头_星河灰	SUS304	1	星河灰

DESIGNED	区振锋	20231120	TITLE	Wall outlet - (G1/2")_A00
CHECKED	利华沃	20231120	REF	入墙花洒连接座_星河灰
APPROVED	李海志	2023.11.20.		
SCALE	MATERIAL	WEIGHT	DWG NO.	FFAS9142-000A00BF0

REV	DESCRIPTION	DATE	NAME

American Standard