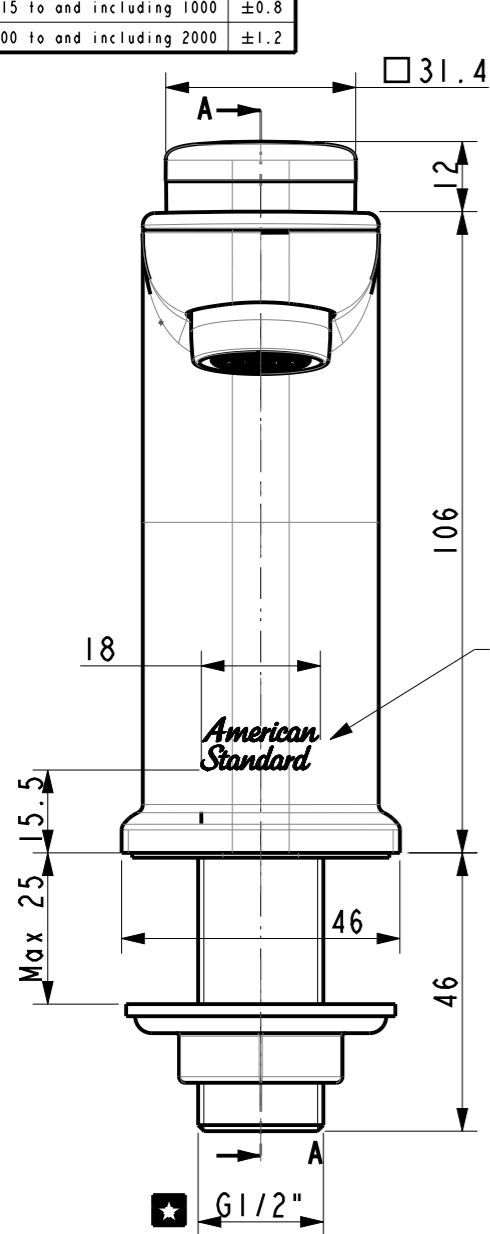
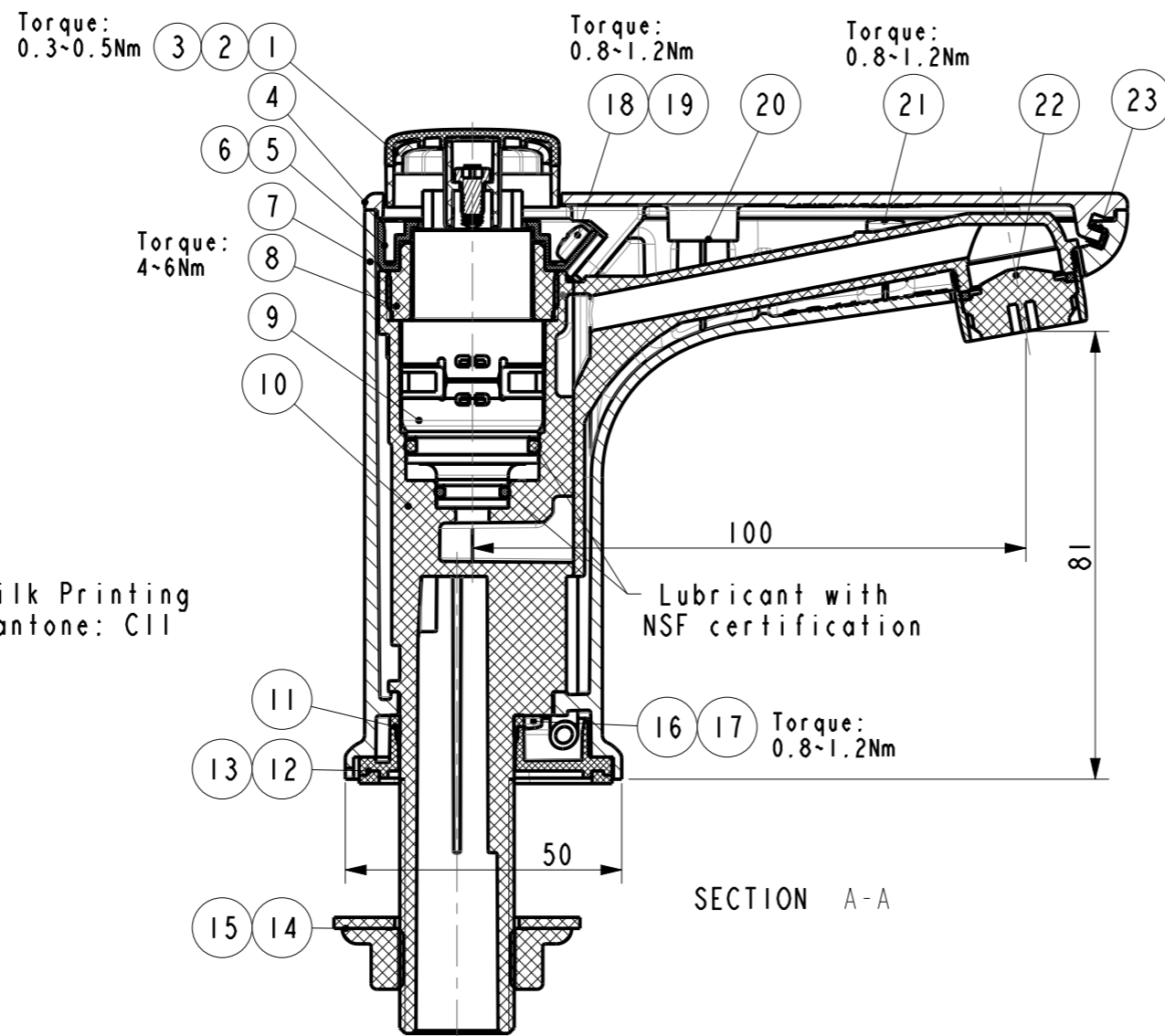


Tolerance, Unless Otherwise Stated, Is			
Above	0.5 to and including	6	±0.1
Excess	6 to and including	30	±0.2
Excess	30 to and including	120	±0.3
Excess	120 to and including	315	±0.5
Excess	315 to and including	1000	±0.8
Excess	1000 to and including	2000	±1.2



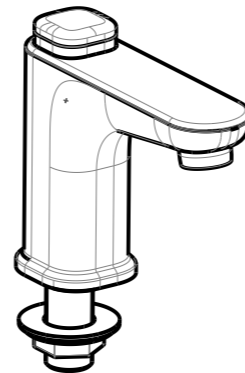
Silk Printing
Pantone: C11

American Standard



SECTION A-A

Lubricant with NSF certification



SCALE 0.300

技术要求:

1. 带"★"符号的尺寸为重要尺寸。
2. 产品组装后其所有性能须符合标准《W110.0507》的规定。
3. 耐腐蚀性要求: AASS, 24H, 10级。
4. 其他外观要求须符合标准《W110.0562》的规定。
5. 本体和上盖之间的接缝处要求: 错位≤0.5mm, 缝隙≤0.5mm。
6. 产品采用彩色纸盒包装。

Requirement:

1. The dimension with "★" symbol is critical dimension.
2. The product can meet <W110.0507>.
3. Anti-corrosion performance: AASS, 24H, Grade 10.
4. Other surface performances are following <W110.0562>.
5. The joint requirement after the assembling the body and the cover: the dislocation is not more than 0.5mm, the gap is not more than 0.5mm.
6. The product is used with color package.

No.	Part Code	Part Des. (EN)	Qty.	Material	Remark
23	FF1-CN521J0023999R	Lining	1	NBR	
22	FF1-CN521A0002350B	Aerator M22x1(Shorty)	1	Brass + POM + EPDM	CP
21	FF1-CN521N00000236	Screw M4*6	2	SUS304	
20	FF1-CN521G00000250	O-Ring 5*2	2	NBR	
19	FF1-CN521G00007099R	O-Ring 3.5*1.8	2	NBR	
18	FF1-CN521N00000162	Screw M4*14	2	SUS304	
17	FF1-CN521N00006199S	Nut M4	2	SUS304	
16	FF1-CN521N00000271	Screw M4*10	2	SUS304	
15	FF1-CN521N000002399	Nut	1	ABS	
14	FF1-CN521G00000018	Washer	1	NBR	
13	FF1-CN521G00005299R	Bottom Washer	1	NBR	
12	FF1-CN521Z0015099P	Lower Washer	1	POM	
11	FF1-CN521G00007199R	Bottom Seal Washer	1	NBR	
10	FF1-CN521J0018299P	Manifold	1	DW-1022	
9	FF1-CN522X70046099	Push Mono Cartridge	1	Assembly	
8	FF1-CN521N00005799P	Lock Nut	1	DW-1022	
7	FF1-CN521F0009350X	Body	1	Zinc	CP
6	FF1-CN521G00007299R	Tube-3*5*120	2	PU	
5	FF1-CN521Z0014999P	Upper Dish	1	ABS	
4	FF1-CN521F0009250X	Cover	1	Zinc	CP
3	FF1-CN521N00000236	Screw M4*6	1	SUS304	
2	FF1-CN521J0017909P	Handle Button	1	ABS	White
1	FF1-CN521F0008250P	Handle Cap	1	ABS	CP

DESIGNED	Nathan Li	2019.12.23	TITLE	EasyFLO Basin Mono Faucet (Chrome Plated)
CHECKED	Aaron Wang	2019.12.23	REF	
APPROVED	Fan Wang	2019.12.23	按压单冷面盆水嘴(镀铬)	
SCALE	MATERIAL	WEIGHT	DWG NO.	
4:5	Assembly		FFAST823-109500BF0	American Standard

REV	DESCRIPTION	DATE	NAME