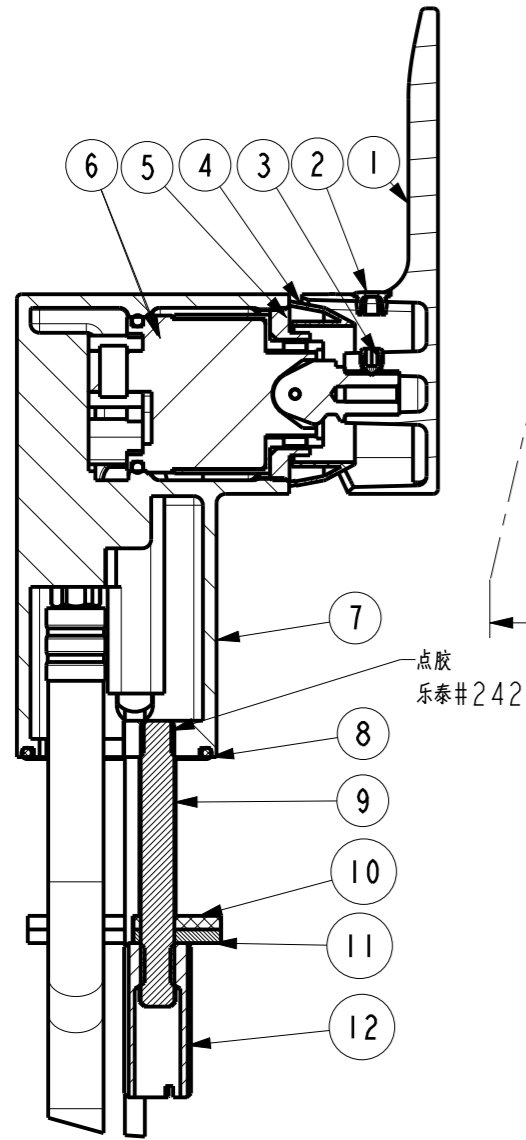
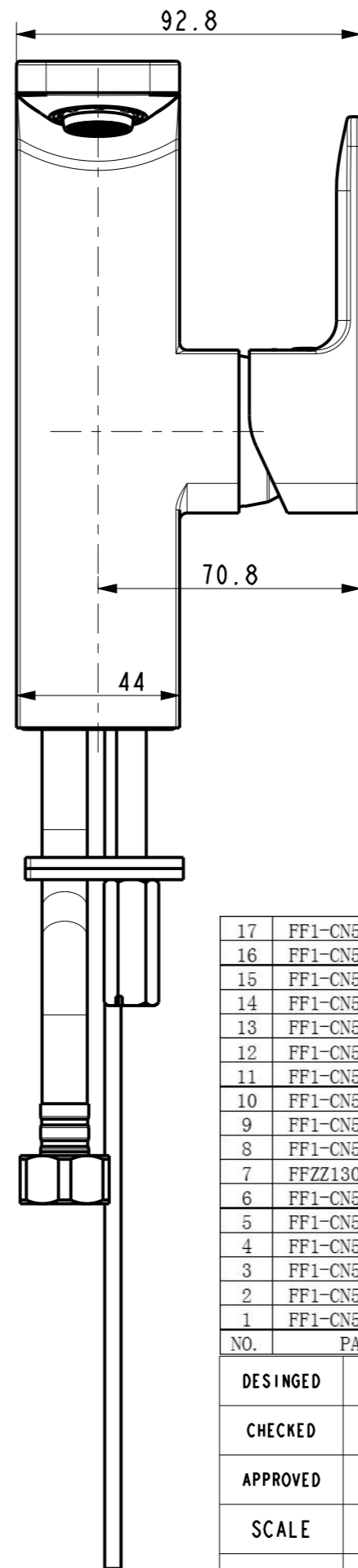
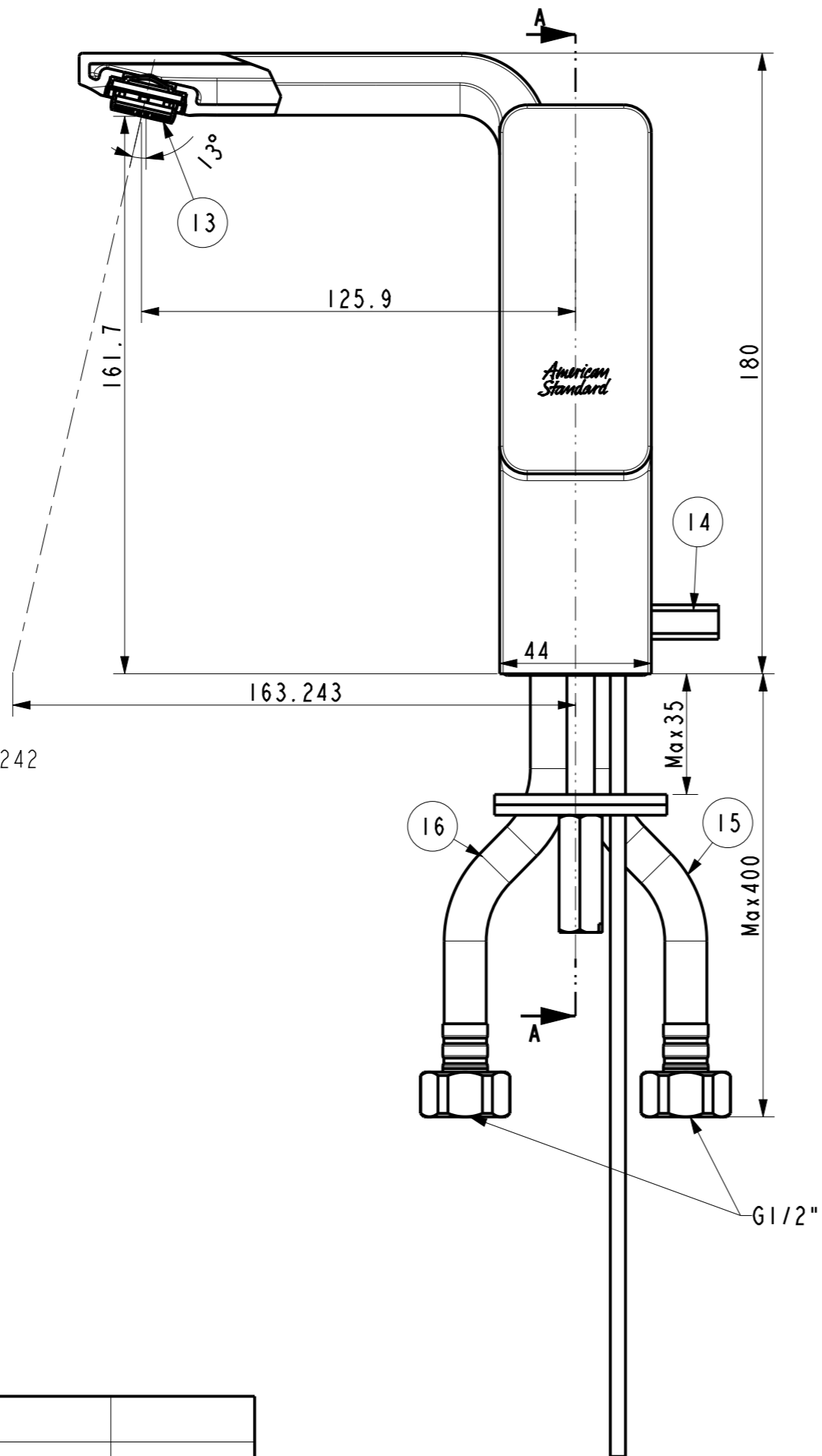


Tolerance, Unless Otherwise Stated, Is			
Above	0.5 to and including	6	±0.1
Excess	6 to and including	30	±0.2
Excess	30 to and including	120	±0.3
Excess	120 to and including	315	±0.5
Excess	315 to and including	1000	±0.8
Excess	1000 to and including	2000	±1.2



SECTION A-A



NO.	PART NO.	PART NAME	QTY	MATERIAL	FINISH
17	FF1-CN521A00000097	Aerator Key	1	PA66-GF30	
16	FF1-CN521T00000017	The Flexible Pipe	1	Assembly	
15	FF1-CN521T00000018	The Flexible Pipe	1	Assembly	
14	FF1-CN521X00000011	Pop-Up Assembling	1	Assembly	Chrome
13	FF1-CN521A00000102	M24X1 Aerator (2.2gpm)	1	Assembly	
12	FF1-CN521N00000073	Lock Nut	1	Hpb59-1	
11	FF1-CN521F00000064	Fix Plate	1	SUS 304	
10	FF1-CN521G00000092	Rubber Washer	1	NBR	
9	FF1-CN521Z00000438	MOUNTING STUD	1	Hpb59-1	
8	FF1-CN521G00000159	O-Ring 37*2.5	1	NBR	
7	FFZZ1305-10150BDPL	Body	1	GkMs60Fk	Chrome
6	FF1-CN521C00000058	35#ECO Cartridge	1	Assembly	
5	FF1-CN521N00000091	Lock Nut	1	Hpb59-1	
4	FF1-CN521F00000034	Cartridge Cover	1	ABS	Chrome
3	FF1-CN521N00000228	Screw M5*6	1	SUS 304	
2	FF1-CN521Z00004950	Plug for handle	1	ABS	Chrome
1	FF1-CN521L00000193	Handle	1	ZZnA14-1	Chrome

DESIGNED	CHECKED	APPROVED	SCALE	MATERIAL	WEIGHT	DWG NO.	TITLE
			3:5			FFAS1305-102500BF0	Acacia E High Spout Basin Mixer

REV	DESCRIPTION	DATE	NAME

American Standard