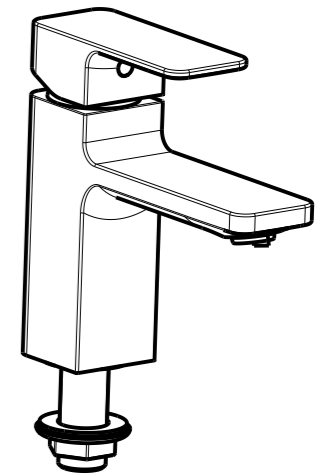
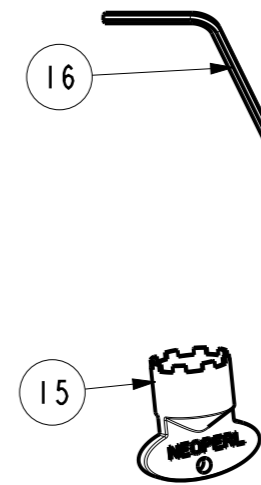
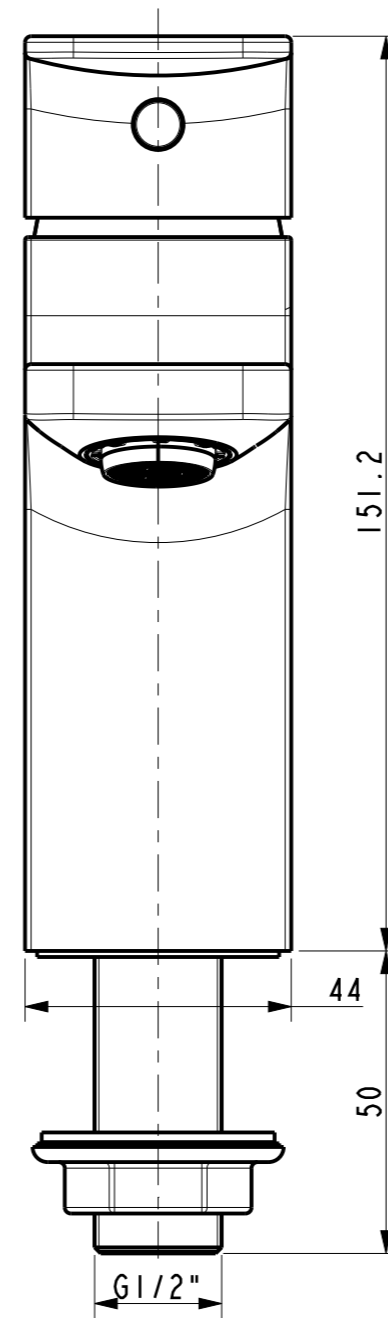
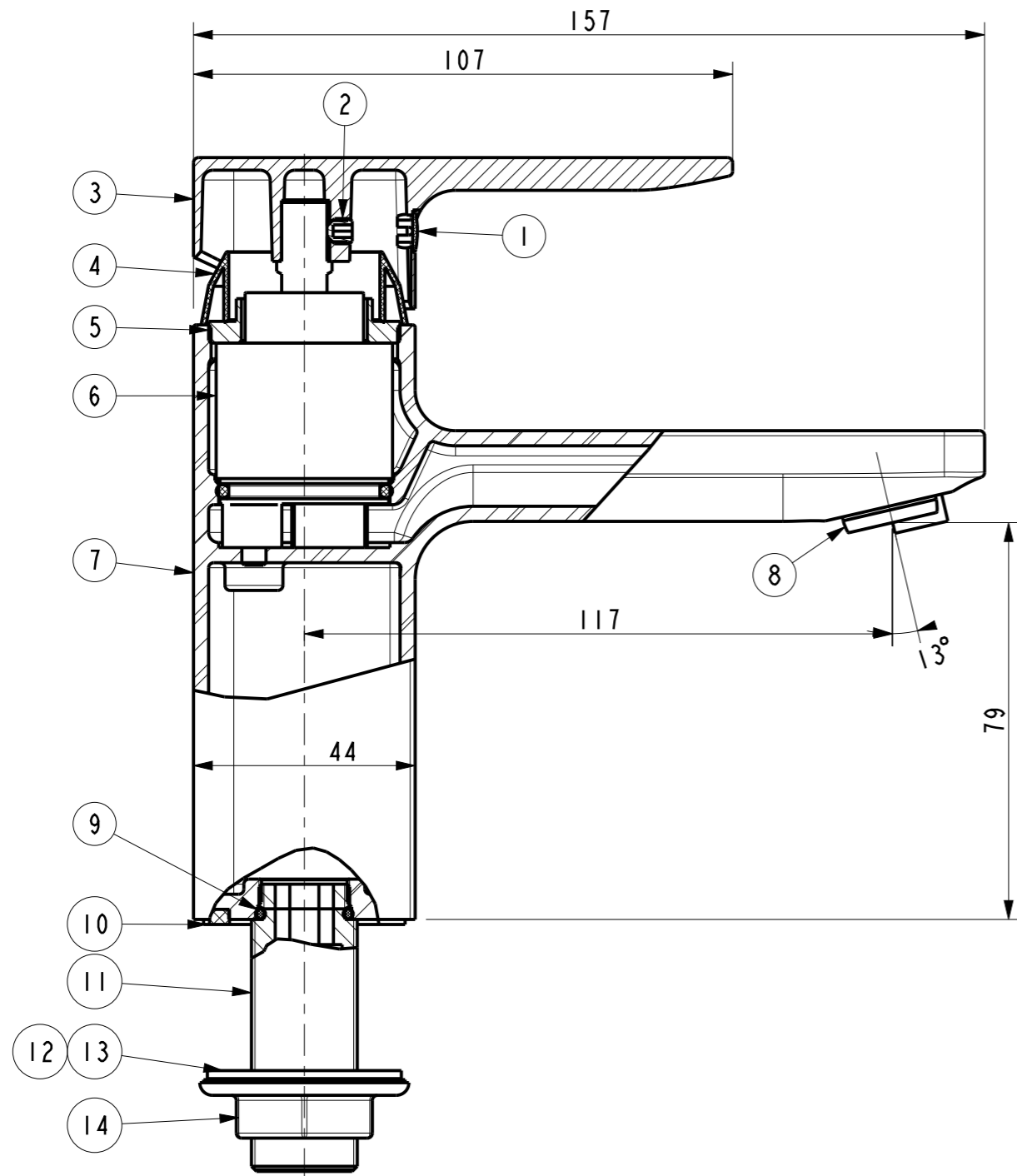


Tolerance, Unless Otherwise Stated, Is				
Above	0.5 to and including	6	±0.1	
Excess	6 to and including	30	±0.2	
Excess	30 to and including	120	±0.3	
Excess	120 to and including	315	±0.5	
Excess	315 to and including	1000	±0.8	
Excess	1000 to and including	2000	±1.2	



16	FF1-CN521Z00000254	In-Hex Wrench	1	Q235	
15	FF1-CN521A00000097	Aerator Key	1	PA66-GF30	
14	FF1-CN521N00000046	G1/2" Fixing Nut	1	ABS	
13	FF1-CN521G00000203	Washer(Clarity)	1	PVC	
12	FF1-CN521G00000074	Washer 38.5* 22.5*1.6	1	NBR	
11	FF1-CN521J00000301	1560 Teeth Tube	1	HPb59-1	
10	FF1-CN521G00000037	Flat Washer 40*29.7*3	1	NBR	
9	FF1-CN521G00000106	O-Ring 13.8*2	1	NBR	
8	FF1-CN521A0001799P	Aerator 1.5gpm	1	Assembly	
7	FFZZ0021-0002750PL	Body	1	GkMs60Fk	Cr
6	FF1-CN521C00001399	C35G-1 Cartridge	1	Assembly	
5	FF1-CN521N00000096	Lock Nut	1	HPb59-1	
4	FF1-CN521F0004050P	Cartridge Cover	1	ABS	Cr
3	FF1-CN521L00000199	Handle	1	ZZnAl4-1	Cr
2	FF1-CN521N00000228	Screw M5*6	1	SUS 304	
1	FF1-CN521Z00004950	Plug for handle	1	ABS	
NO.	PART NO.	PART NAME	QTY	MATERIAL	FINISH

DESIGNED			TITLE		
CHECKED			REF		
APPROVED			Acacia Evolution Basin Mono		
SCALE	MATERIAL	WEIGHT	DWG NO.		
1:2	Assembly		FFASI306-101500BF0		

*American Standard*

REV	DESCRIPTION	DATE	NAME