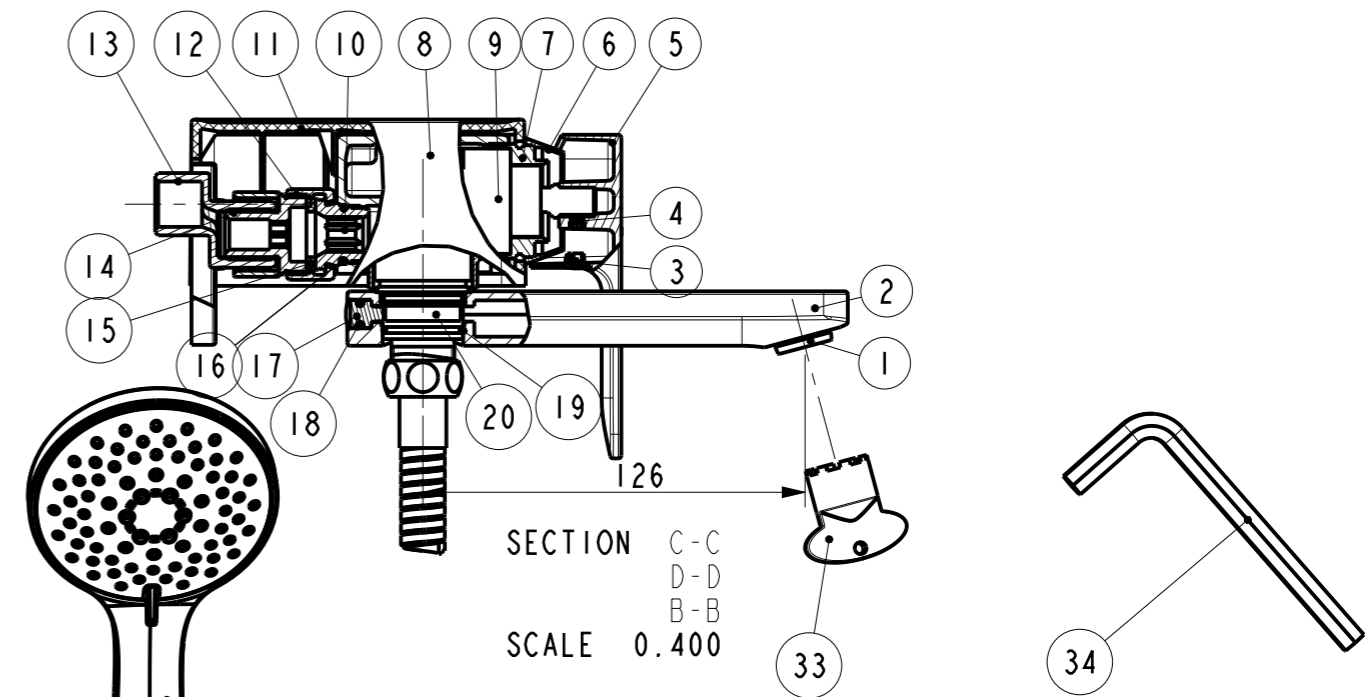
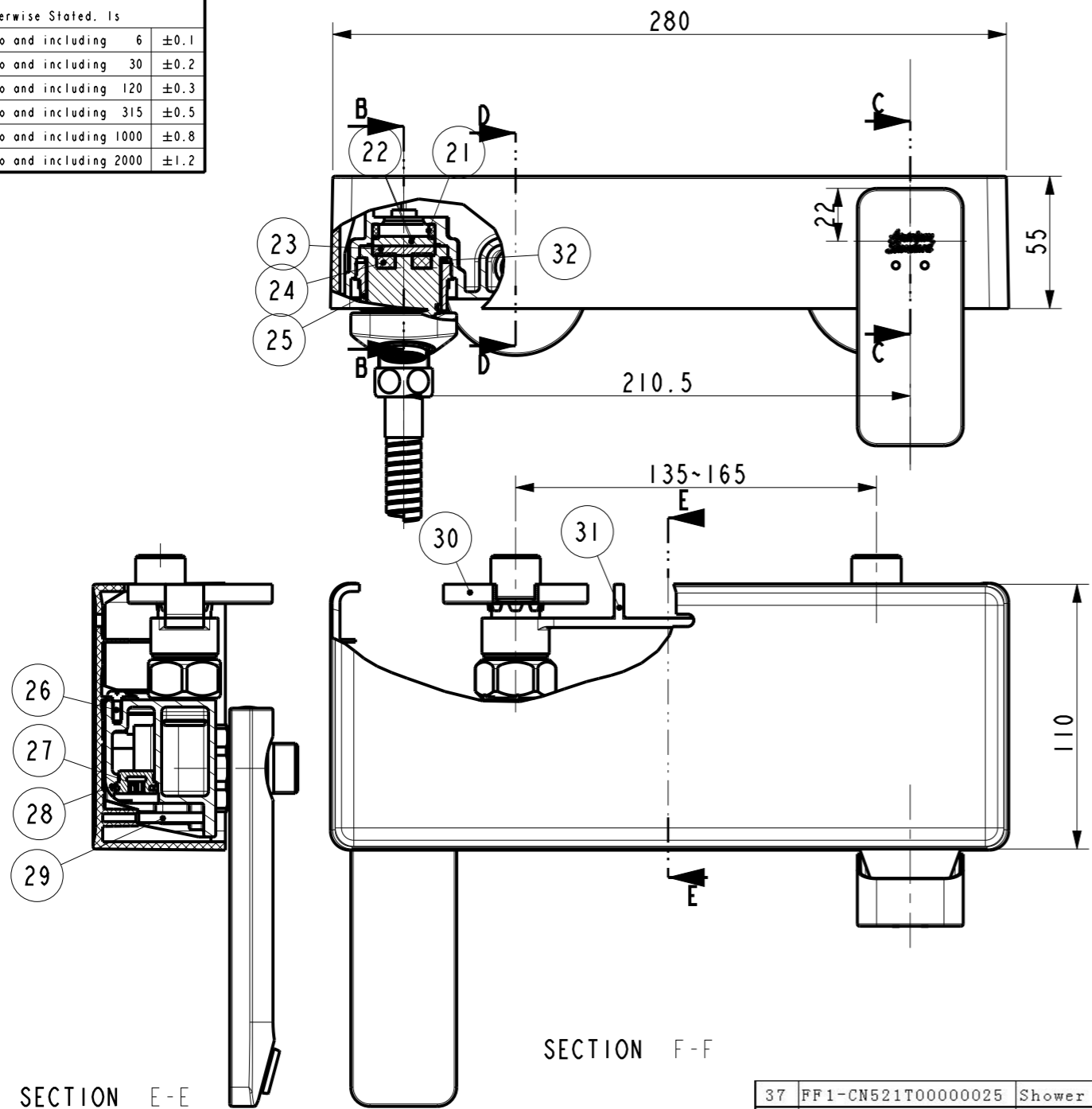


Tolerance, Unless Otherwise Stated, Is			
Above 0.5 to and including 6	6	±0.1	
Excess 6 to and including 30	30	±0.2	
Excess 30 to and including 120	120	±0.3	
Excess 120 to and including 315	315	±0.5	
Excess 315 to and including 1000	1000	±0.8	
Excess 1000 to and including 2000	2000	±1.2	



NO.	PART NO.	PART NAME	QTY	MATERIAL	FINISH
20	FF1-CN521Z00000446	Spindle	1	Hpb59-1	
19	FF1-CN521G00000294	O RING (24*1.5)	1	NBR	
18	FF1-CN521G00000250	O RING (5*2)	1	NBR	
17	FF1-CN521N00000247	Screw	1	SUS 304	
16	FF1-CN521G00000112	O-Ring 15.6*1.78	2	NBR	
15	FF1-CN521G00000341	Washer Φ24*Φ15*2	2	NBR	
14	FF1-CN521N00000308	Con Bolt	2	Hpb59-1	
13	FF1-CN521T00000066	S Connection	2	SUS 304	
12	FF1-CN521N00000291	NUT-G3/4inch	2	Hpb59-1	Chrome
11	FF1-CN521Z00000447	Decorative box	1	ABS	
10	FF1-CN521W00000048	THREADED NIPPLE	1	SUS 304	
9	FF1-CN521C00000017	C35P1 Cartridge	1	Assembly	
8	FFZZ1311-60150BDPL	Body	1	GkMs60Fk	Chrome
7	FF1-CN521N00000309	Lock Nut	1	Hpb59-1	
6	FF1-CN521Z00000448	Cartridge Cover	1	ABS	
5	FF1-CN521L00000196	Handle	1	ZZnA14-1	Chrome
4	FF1-CN521N000001099	Screw M5*6	1	SUS 304	
3	FF1-CN521Z000004950	Plug for handle	1	ABS	Chrome
2	FFZZ1311-60150BPPL	Spout	1	GkMs60Fk	Chrome
1	FF1-CN521SLB0000050	M24X1 Aerator	1	Assembly	Chrome
NO.	PART NO.	PART NAME	QTY	MATERIAL	FINISH

37	FF1-CN521T000000025	Shower Hose (1.5M)	1	Assembly	Chrome
36	FF1-CN521H000000001	Shower Hanger (M40280)	1	Assembly	Chrome
35	FF1-CN521H000000076	Hand Shower	1	Assembly	Chrome
34	FF1-CN521Z000000445	Hex Wrench	1	Q235-A	
33	FF1-CN521A000000097	Aerator Key	1	PA66	
32	FF1-CN521G000000368	Washer	2	NBR	
31	FF1-CN521H000000103	Surport	1	SUS 304	
30	FF1-CN521F000000283	Escutcheon	2	SUS 304	
29	FF1-CN521N000000306	SCREWS ST4.2X40	2	SUS 304	
28	FF1-CN521G000000110	O-Ring ?14* 2	2	NBR	
27	FF1-CN521J000000068	Plug	2	Hpb59-1	
26	FF1-CN521N000000169	The bolt M4 L=9	3	SUS 304	
25	FF1-CN521N000000307	Nut of the Divertor	1	Hpb59-1	
24	FF1-CN521G000000242	seal ring (down)	2	NBR	
23	FF1-CN521Z000000340	Cerami Disc (down)	1	Ceramic	
22	FF1-CN521Z000000341	Cerami Disc (up)	1	Ceramic	
21	FF1-CN521G000000236	Seal Ring (Down)	1	NBR	
NO.	PART NO.	PART NAME	QTY	MATERIAL	FINISH

REV	DESCRIPTION	DATE	NAME

DESIGNED	CHECKED	APPROVED	SCALE	MATERIAL	WEIGHT	DWG NO.	TITLE
			2:5	Assembly		FFAS1311-60150BF0	Acacia E Exposed Bath & Shower Mixer with Shower Kit

American Standard