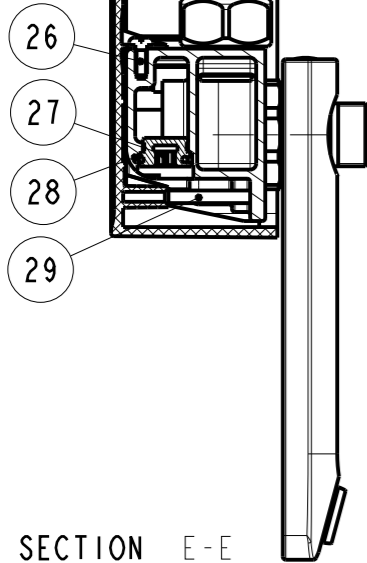
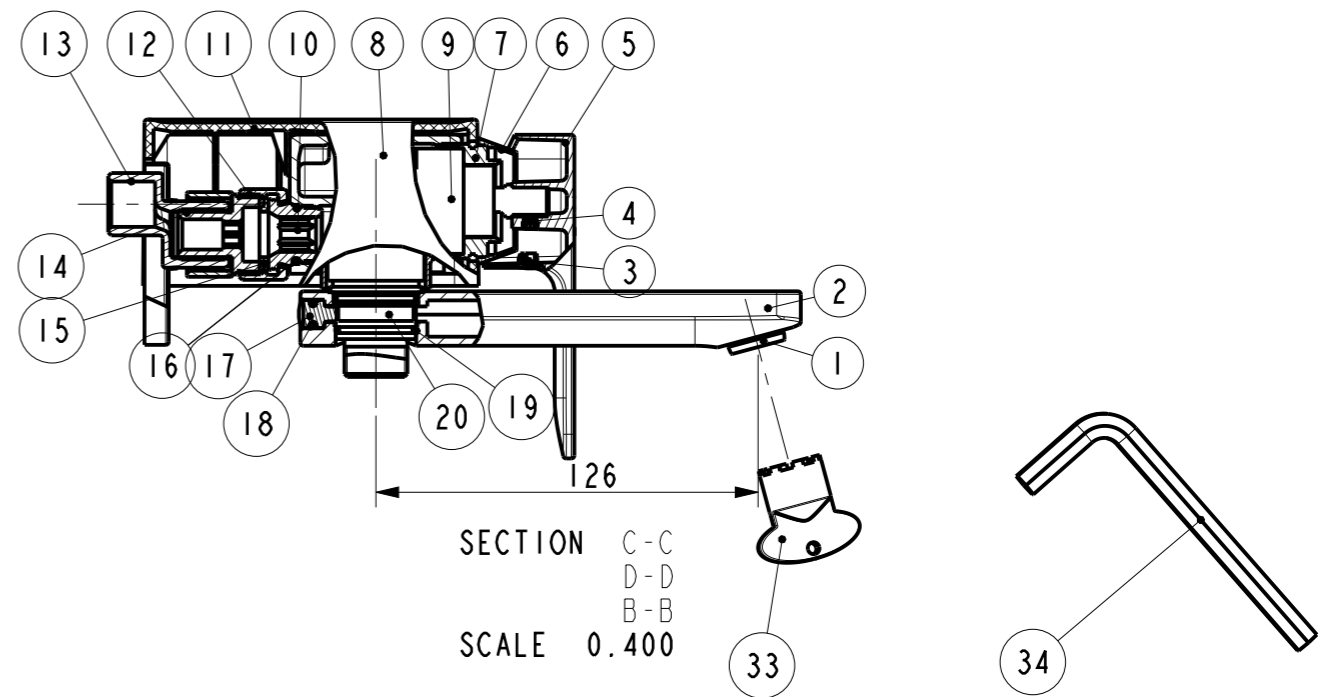
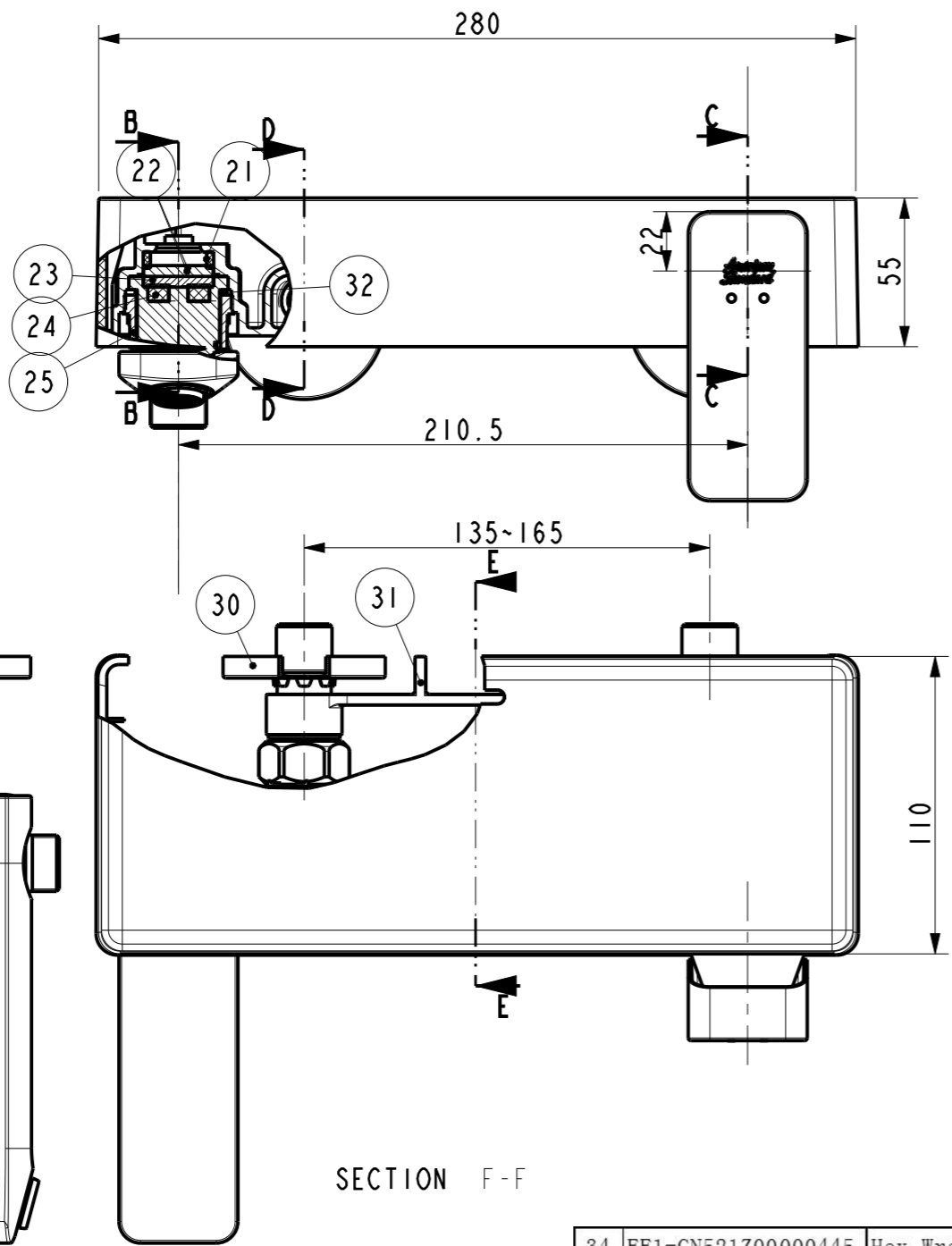


Tolerance, Unless Otherwise Stated, Is			
Above 0.5 to and including 6	6		±0.1
Excess 6 to and including 30	30		±0.2
Excess 30 to and including 120	120		±0.3
Excess 120 to and including 315	315		±0.5
Excess 315 to and including 1000	1000		±0.8
Excess 1000 to and including 2000	2000		±1.2



SECTION F-F

20	FF1-CN521Z00000446	Spindle	1	Hpb59-1	
19	FF1-CN521G00000294	O RING (24*1.5)	1	NBR	
18	FF1-CN521G00000250	O RING (5*2)	1	NBR	
17	FF1-CN521N00000247	Screw	1	SUS 304	
16	FF1-CN521G00000112	O-Ring 15.6*1.78	2	NBR	
15	FF1-CN521G00000341	Washer Φ24*Φ15*2	2	NBR	
14	FF1-CN521N00000308	Con Bolt	2	Hpb59-1	
13	FF1-CN521T00000066	S Connection	2	SUS 304	
12	FF1-CN521N00000291	NUT-G3/4inch	2	Hpb59-1	Chrome
11	FF1-CN521Z00000447	Decorative box	1	ABS	
10	FF1-CN521W00000048	THREADED NIPPLE	1	SUS 304	
9	FF1-CN521C00000017	C35P1 Cartridge	1	Assembly	
8	FFZZ1311-60150BDPL	Body	1	GkMs60Fk	Chrome
7	FF1-CN521N00000309	Lock Nut	1	Hpb59-1	
6	FF1-CN521Z00000448	Cartridge Cover	1	ABS	
5	FF1-CN521L00000196	Handle	1	ZZnA14-1	Chrome
4	FF1-CN521N00001099	Screw M5*6	1	SUS 304	
3	FF1-CN521Z00004950	Plug for handle	1	ABS	Chrome
2	FFZZ1311-60150BPPL	Spout	1	GkMs60Fk	Chrome
1	FF1-CN521SLB0000050	M24X1 Aerator	1	Assembly	Chrome
NO.	PART NO.	PART NAME	1	MATERIAL	FINISH

34	FF1-CN521Z00000445	Hex Wrench	1	Q235-A	
33	FF1-CN521A00000097	Aerator Key	1	PA66	
32	FF1-CN521G00000368	Washer	2	NBR	
31	FF1-CN521H00000103	Surport	1	SUS 304	
30	FF1-CN521F00000283	Escutcheon	2	SUS 304	
29	FF1-CN521N00000306	SCREWS ST4.2X40	2	SUS 304	
28	FF1-CN521G00000110	O-Ring ?14* 2	2	NBR	
27	FF1-CN521J00000068	Plug	2	Hpb59-1	
26	FF1-CN521N00000169	The bolt M4 L=9	3	SUS 304	
25	FF1-CN521N00000307	Nut of the Divertor	1	Hpb59-1	
24	FF1-CN521G00000242	seal ring (down)	2	NBR	
23	FF1-CN521Z00000340	Cerami Disc (down)	1	Ceramic	
22	FF1-CN521Z00000341	Cerami Disc (up)	1	Ceramic	
21	FF1-CN521G00000236	Seal Ring (Down)	1	NBR	
NO.	PART NO.	PART NAME	QTY	MATERIAL	FINISH

DESIGNED			TITLE
CHECKED			REF
APPROVED			Acacia E Exposed Bath & Shower Mixer
SCALE	MATERIAL	WEIGHT	DWG NO.
2:5	Assembly		FFAS1311-602500BF0

REV	DESCRIPTION	DATE	NAME

American Standard