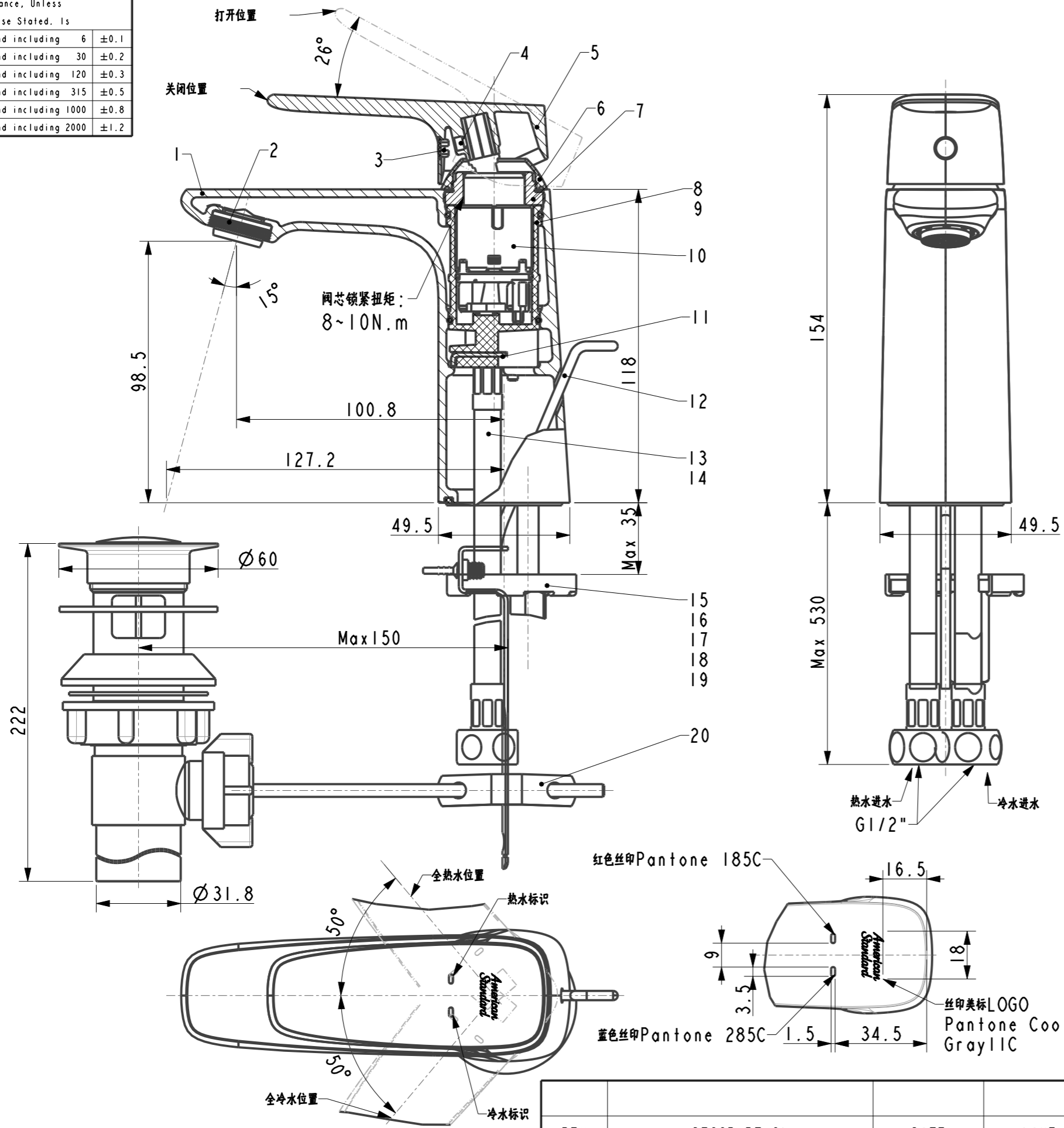


Tolerance, Unless Otherwise Stated, Is			
Above 0.5 to and including 6	6	±0.1	
Excess 6 to and including 30	30	±0.2	
Excess 30 to and including 120	120	±0.3	
Excess 120 to and including 315	315	±0.5	
Excess 315 to and including 1000	1000	±0.8	
Excess 1000 to and including 2000	2000	±1.2	



- 技术要求:
1. 阀芯锁紧扭矩为 8~10N.M, 其余扭矩按《W I 09.1520 组装扭矩使用规范》的规定执行;
  2. O 环涂润滑油 DC111;
  3. 安装好后的成品性能应满足《GB18145》与 W I 10.0504 最终检验标准-水嘴》的相关规定。

20	FF1-CN521X00004650	PA型半铜半塑提拉排杆	1	组件	抛光镀铬
19	FF1-CN521N00000073	1580660999\改进进行GNV单体紧固螺帽	1	HPb59-1	
18	FF1-CN521J00000432	158A923271\马蹄铁 A923271 (BVBA)	1	Q235	
17	FF1-CN521G00000238	158A911942\US感应龙头紧固橡胶垫 (A911942)	1	NBR	
16	FF1-CN521Z00000438	1591724099\螺杆-SF1520, 完成品	1	SUS304	
15	FF1-CN521G00000361	1591276099\O型圈-39.34*2.62, 完成品	1	NBR	
14	FF1-CN521T0002599P	快接软管(红) (L=600mm)	1	组件	
13	FF1-CN521T0002699P	快接软管(蓝) (L=600mm)	1	组件	
12	FF1-CN521J0015899S	Signature提拉杆	1	SUS304	抛光处理
11	FF1-CN521Z0011799S	快接软管进水软管卡环	1	SUS304	
10	FF1-CN521C0002399P	高仪28mm阀芯	1	组件	
9	FF1-CN521G0005599R	O环Φ30*2	2	NBR	
8	FF1-CN521F0008899P	28mm阀芯底座	1	PPO	
7	FF1-CN521F0007350P	28mm阀芯顶盖	1	ABS	抛光镀铬
6	FF1-CN521N0005499B	28mm阀芯锁紧螺母	1	HPb59-1	
5	FF1-CN521L0006450X	Signature单孔脸盆龙头把手	1	ZZnA14-1	抛光镀铬
4	FF1-CN521N00000228	158A917376\希丽业台面浴缸内六方把手螺钉M5*6	1	SUS304	
3	FF1-CN521Z00004950	1580970150\把手孔塞(镀铬)	1	ABS	抛光镀铬
2	FF1-CN521A0002299P	M24X1 SLIM Air 起泡器 (1.5gpm)	1	组件	
1	FFZZ0021-002335LPL	Signature单孔脸盆龙头本体	1	低铅铜	抛光镀铬
序号	料号	名称	数量	材料	备注

DESIGNED	韦振明	2022.08.19	TITLE	
CHECKED	<i>[Signature]</i>	2022.08.19	REF	
APPROVED	<i>[Signature]</i>	2022.8.19.	Signature单孔脸盆龙头	
SCALE	MATERIAL	WEIGHT	DWG NO.	
3:5	Assembly		FFAS1701-1015L0BC0	<b>American Standard</b>

REV	DESCRIPTION	DATE	NAME