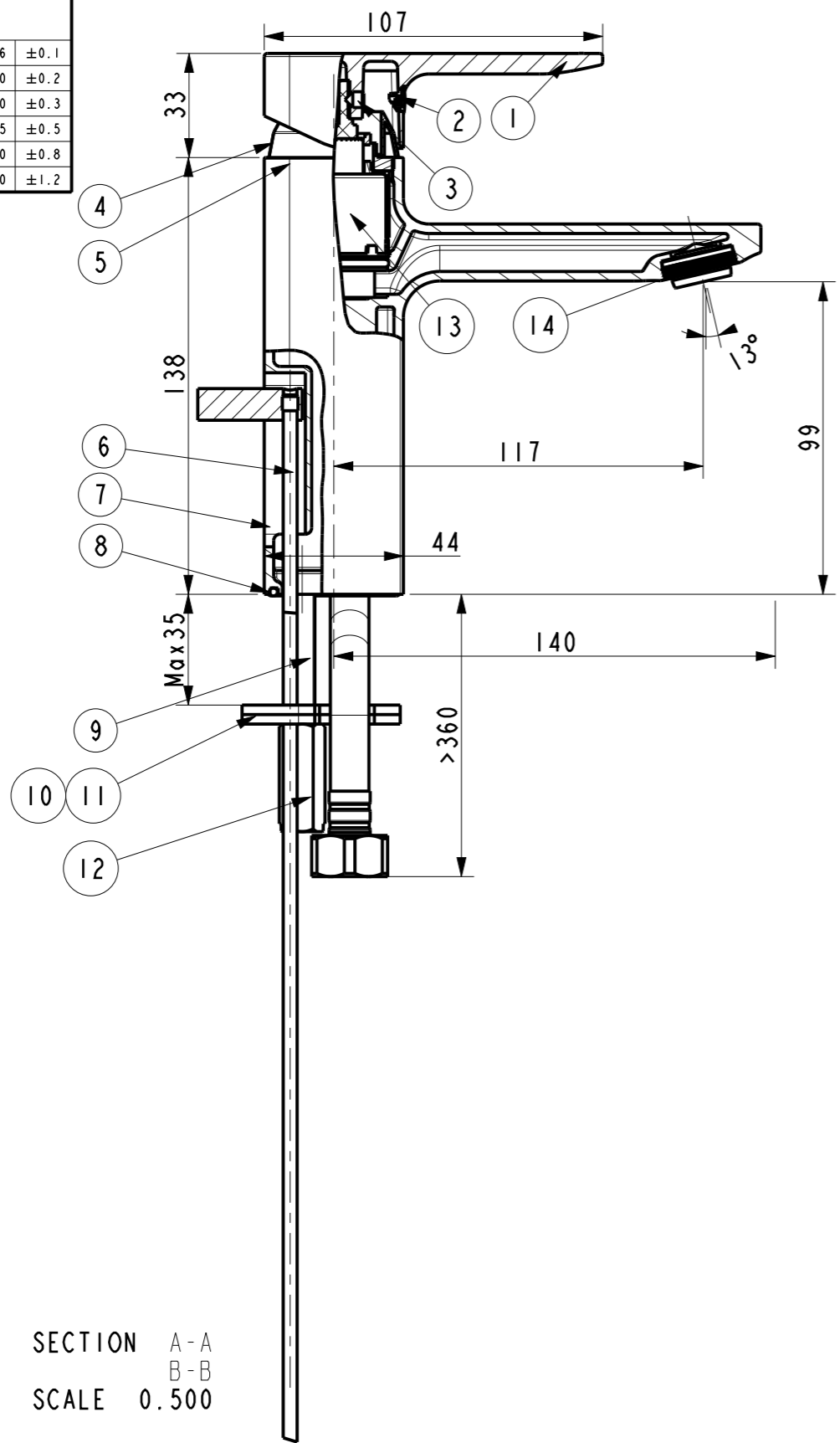
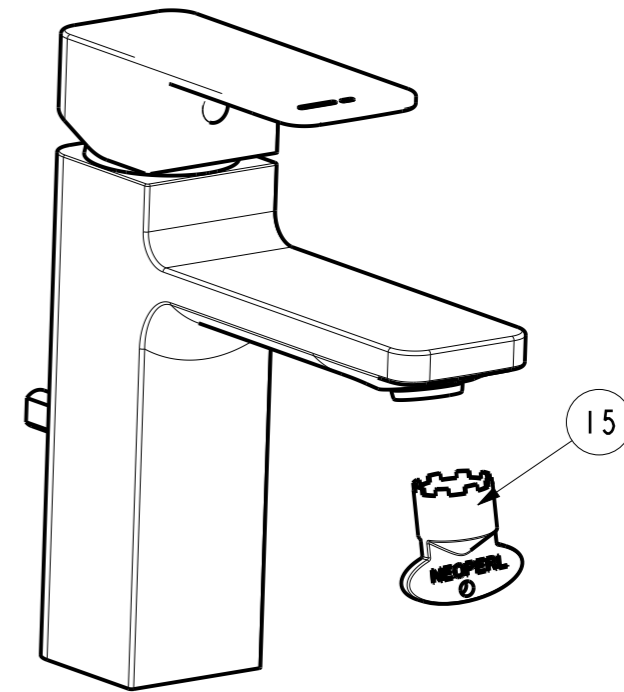
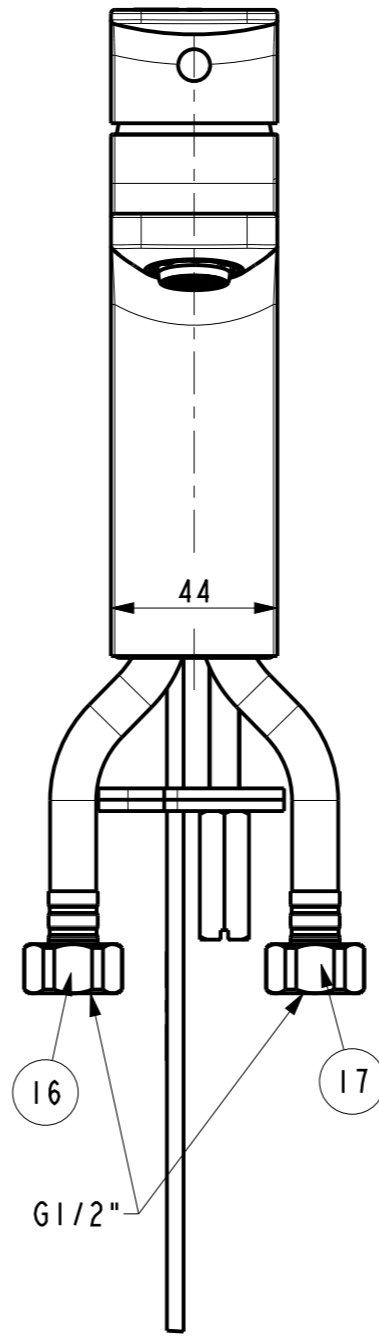


Tolerance, Unless Otherwise Stated, Is		
Above 0.5 to and including 6	±0.1	
Excess 6 to and including 30	±0.2	
Excess 30 to and including 120	±0.3	
Excess 120 to and including 315	±0.5	
Excess 315 to and including 1000	±0.8	
Excess 1000 to and including 2000	±1.2	



SECTION A-A
B-B
SCALE 0.500



17	FF1-CN521T00000018	The Flexible Pipe	1	Assembly	
16	FF1-CN521T00000017	The Flexible Pipe	1	Assembly	
15	FF1-CN521A00000097	Aerator Key	1	PA66-GF30	
14	FF1-CN521A0001799P	Aerator (1.5gpm)	1	Assembly	
13	FF1-CN521C00000057	35#ECO Cartridge	1	Assembly	
12	FF1-CN521N00000073	Lock Nut	1	Hpb59-1	
11	FF1-CN521F00000064	Fix Plate	1	SUS 304	
10	FF1-CN521G00000092	Rubber Washer	1	NBR	
9	FF1-CN521Z00000438	MOUNTING STUD	1	Hpb59-1	
8	FF1-CN521G00000159	O-Ring 37*2.5	1	NBR	
7	FFZZ1301-10150BDPL	Body for Acacia E SH	1	GkMs60Fk	Chrome
6	FF1-CN521X00000011	Pop-Up Assembling	1	Assembly	Chrome
5	FF1-CN521N00000091	O-RING	1	Hpb59-1	
4	FF1-CN521F0004050P	Cartridge Cover	1	ABS	Chrome
3	FF1-CN521N00000228	Screw M5*6	1	SUS 304	
2	FF1-CN521Z00004950	Index Button	1	ABS	Chrome
1	FF1-CN521L00000191	Handle for Acacia E SH	1	ZZnAl4-1	Chrome
NO.	PART NO.	PART NAME	QTY	MATERIAL	FINISH

DESIGNED			TITLE		
CHECKED			REF		
APPROVED			Acacia Evolution Basin Mixer		
SCALE	MATERIAL	WEIGHT	DWG NO.		
1:2	Assembly		FFAS1301-102500BF0		

American Standard

REV	DESCRIPTION	DATE	NAME