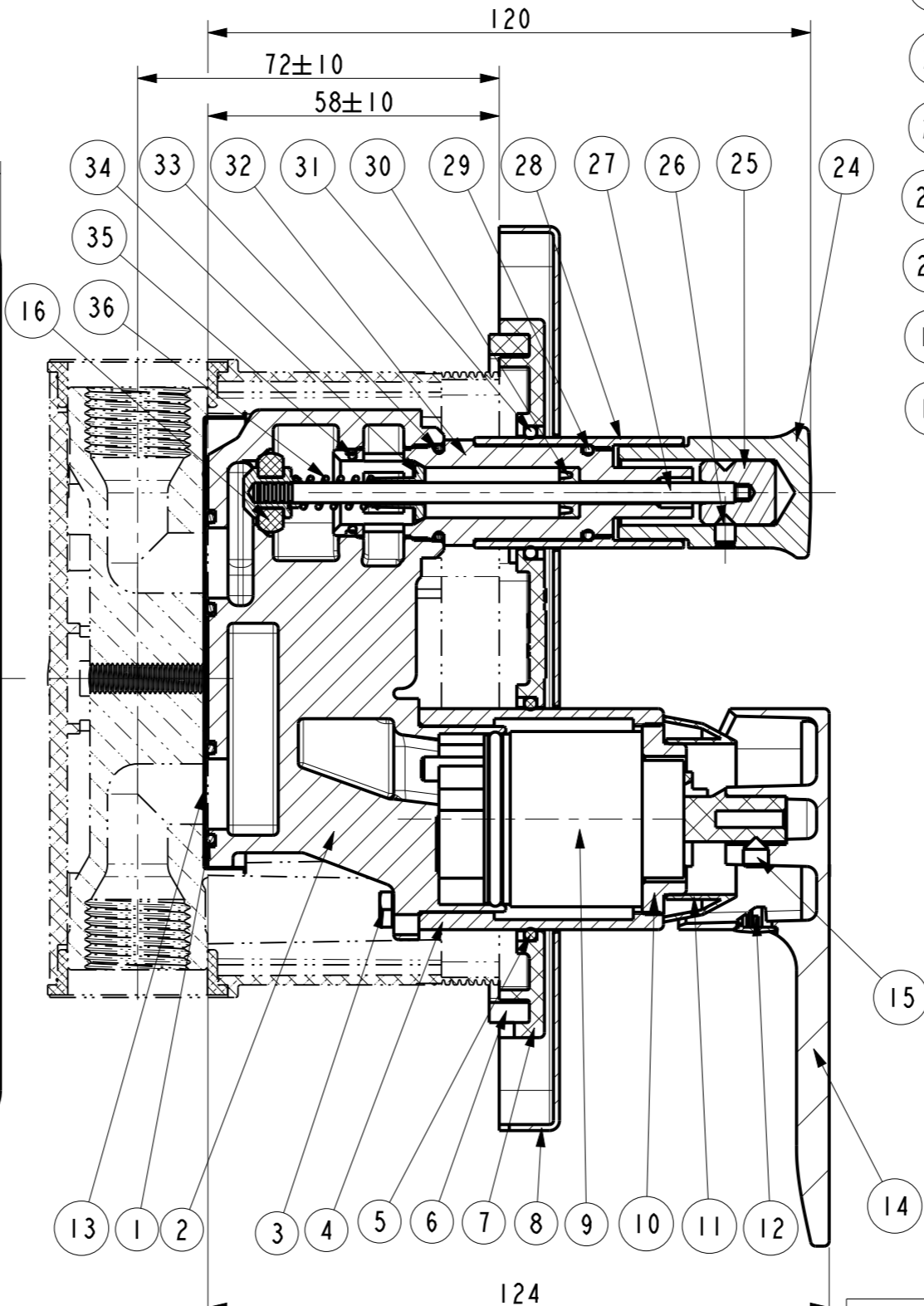
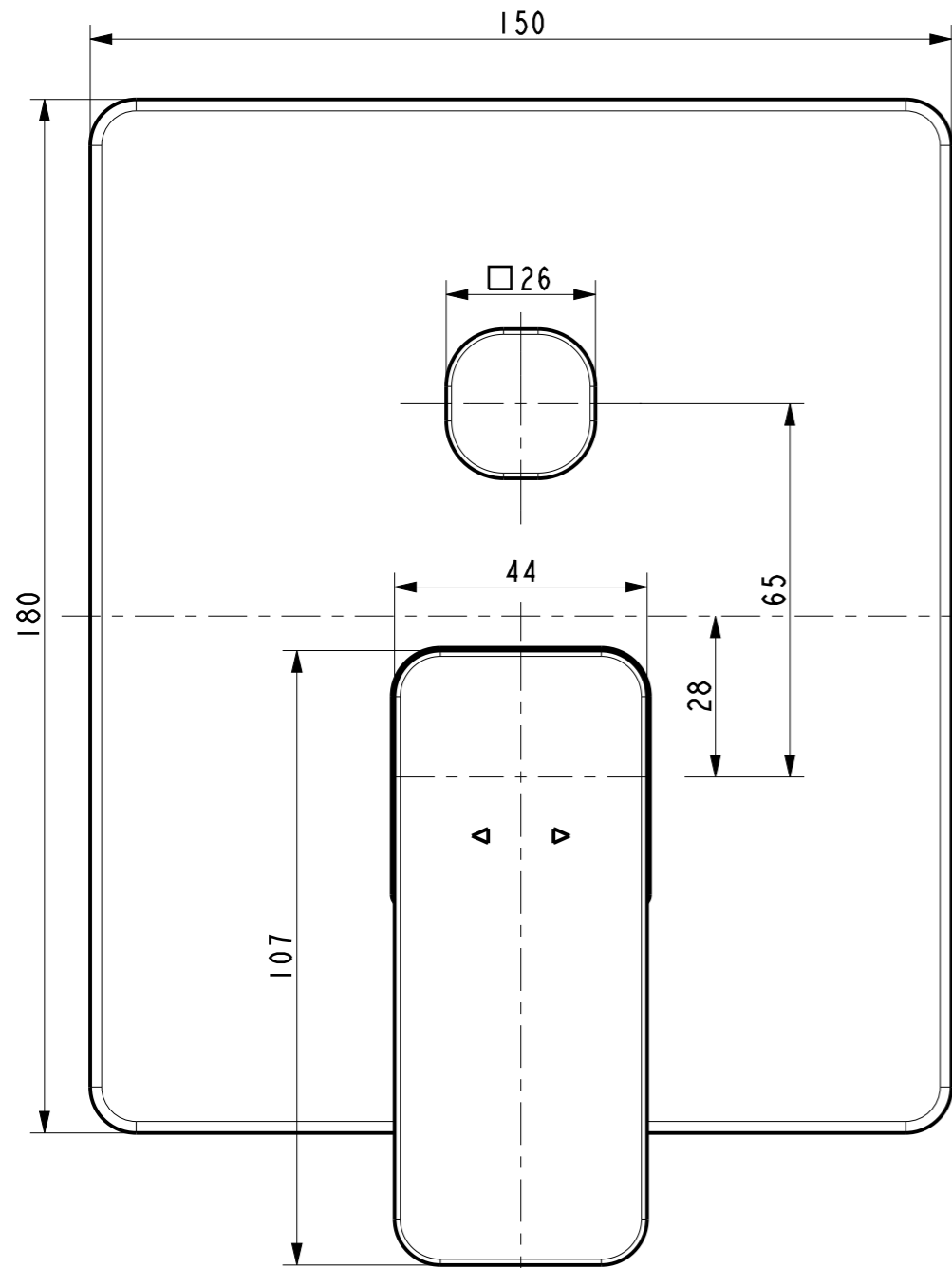
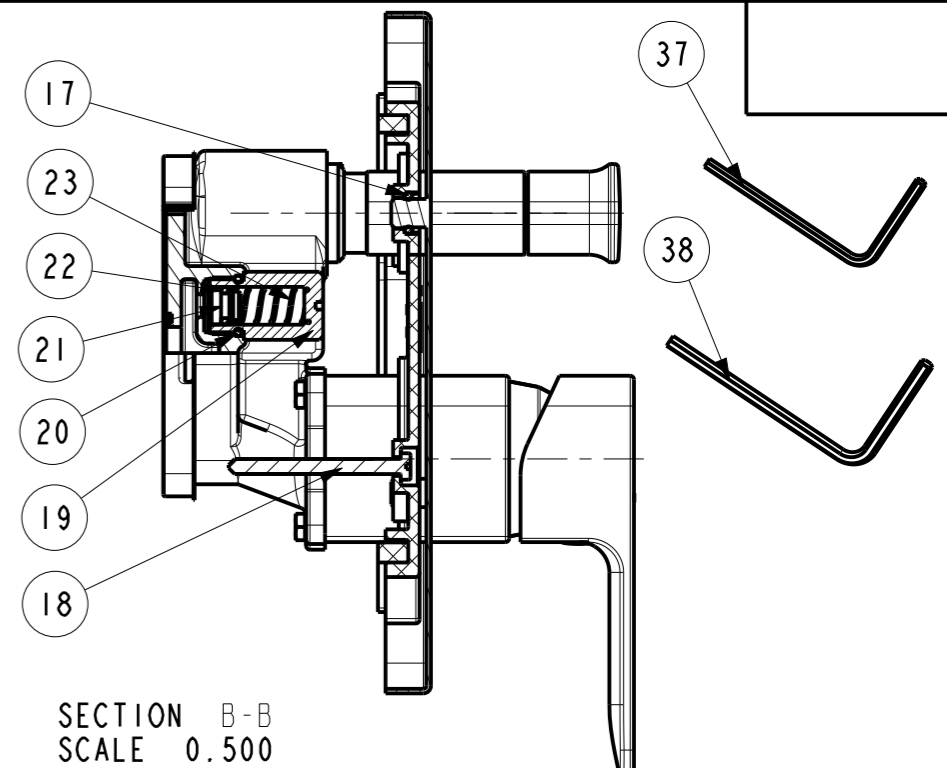


Tolerance, Unless Otherwise Stated, Is			
Above 0.5 to and including 6	6		±0.1
Excess 6 to and including 30	30		±0.2
Excess 30 to and including 120	120		±0.3
Excess 120 to and including 315	315		±0.5
Excess 315 to and including 1000	1000		±0.8
Excess 1000 to and including 2000	2000		±1.2



SECTION A-A



SECTION B-B
SCALE 0.500

38	FF1-CN521Z00000254	In-Hex Wrench	1	Q235-A	
37	FF1-CN521Z00000253	Hex Wrench (2.0)	1	Q235-A	
36	FF1-CN521Z00000178	Diverter S/A Spring	1	SUS304	
35	FF1-CN521G00000113	O-Ring 13.5*1.5	1	NER	
34	FF1-CN521Z00000441	GUIDE	1	POM	
33	FF1-CN521G00000257	O-Ring15.6*1.78	1	NER	
32	FF1-CN521J00000045	Diverter Seat	1	HPb59-1	
31	FF1-CN521G00000365	Sealing Ring	1	NER	
30	FF1-CN521G00000354	U-PACKING	1	NER	
29	FF1-CN521G00000110	O-Ring 714* 2	1	NER	
28	FF1-CN521J00000555	Diverter Bushing	1	HPb59-1	Cr
27	FF1-CN521X00000077	CYLINDRICAL PIN	1	Assembly	
26	FF1-CN521N00000128	Screw M4*0.7	1	SUS304	
25	FF1-CN521J00000158	Diverter Adapter	1	HPb59-1	
24	FF1-CN521L00000194	Diverter Handle	1	ZZnAl4-1	Cr
23	FF1-CN521Z00000172	Diverter Spring	2	SUS304	
22	FF1-CN521G00000322	DIVERT SPINDLE	2	NER	
21	FF1-CN521J00000360	Piston	2	HPb59-1	
20	FF1-CN521G00000268	O-Ring(Φ11.2*2.0)	2	NER	
19	FF1-CN521J00000359	Cylinder	2	HPb59-1	
18	FF1-CN521N00000240	Srew	4	SUS304	
17	FF1-CN521G00000291	O-Ring(7X2)	4	NER	
16	FF1-CN521G00000347	RUBBER GASKET, N	1	NER	
15	FF1-CN521N00000228	Screw m5*6	1	SUS304	
14	FF1-CN521L00000191	Handle	1	ZZnAl4-1	Cr
13	FF1-CN521K00000037	Body Sheath	1	PVC	
12	FF1-CN521Z00000086	Index Button	1	PA	
11	FF1-CN521F00000034	Cartridge Cover	1	ABS	Cr
10	FF1-CN521N00000091	Lock Nut	1	HPb59-1	
9	FF1-CN521C00000018	Screw m5*6	1	Assembly	
8	FF1-CN521F00000279	Escutcheon	1	H62	Cr
7	FF1-CN521F00000277	Fixing Plate	1	ABS	
6	FF1-CN521K00000034	Foam Washer	1	E.V.A	
5	FF1-CN521G00000364	Sealing Ring	1	NER	
4	FF1-CN521J00000554	Brass Bushing	1	HPb59-1	Cr
3	FF1-CN521Z00000193	Hex head bolt M4X10	4	SUS304	
2	FFZZ0621-60850BDMC	Body	1	GkMs60Fk	
1	FF1-CN521G00000152	O Ring 16*2 (612145)	4	NER	
No.	Part No.	Part Name	Qty	Material	Finish

DESIGNED		TITLE	For Universal Box		
CHECKED		REF	Acacia E Concealed B&S Mixing Valve		
APPROVED		DWG NO.	FFAS1321-608500BF0		
SCALE	MATERIAL	WEIGHT			
4:5					

American Standard

REV	DESCRIPTION	DATE	NAME