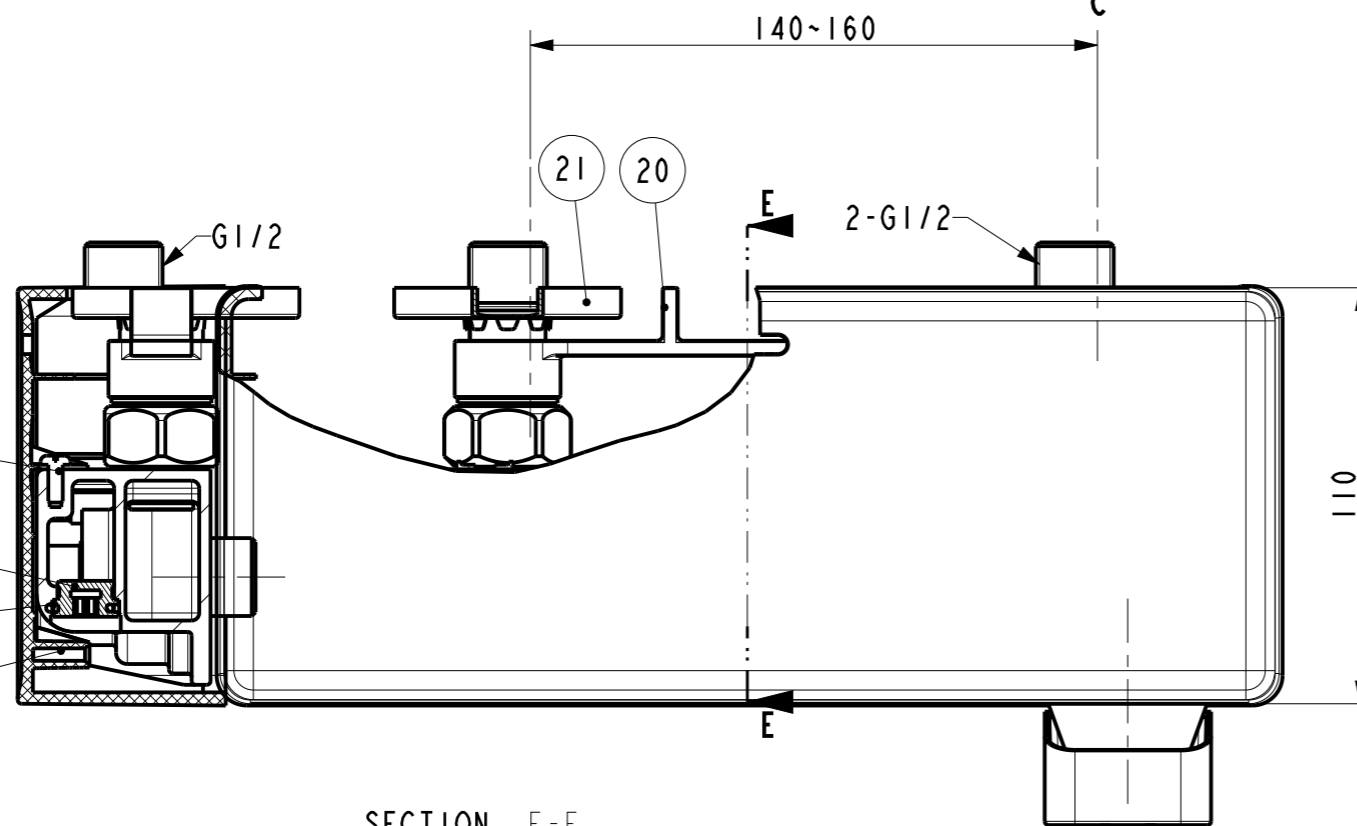
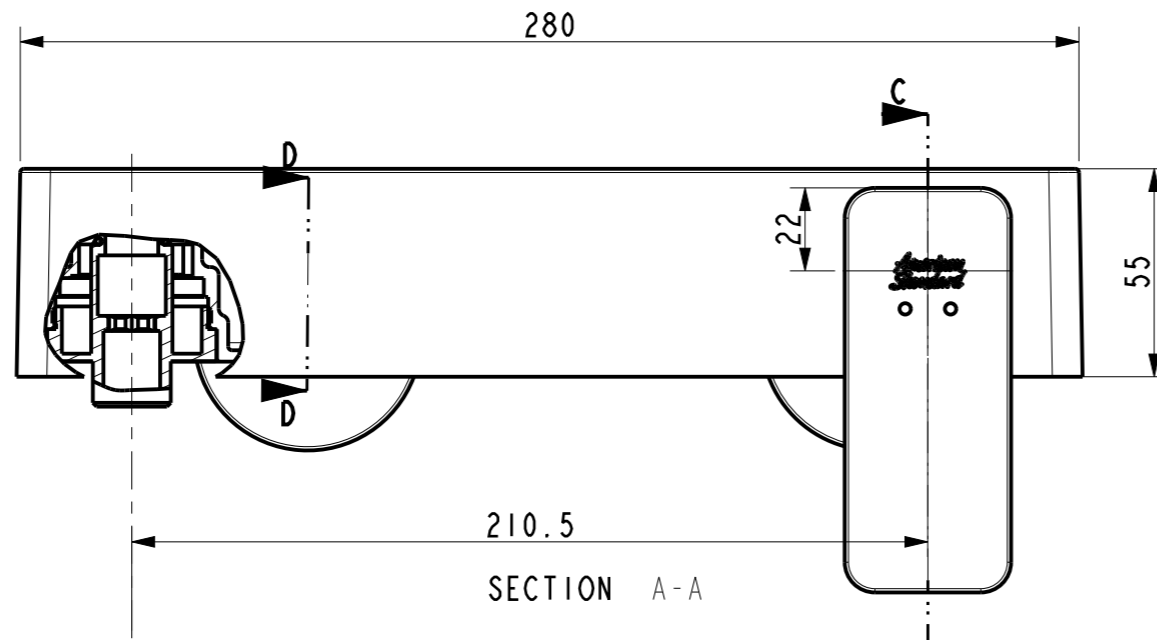


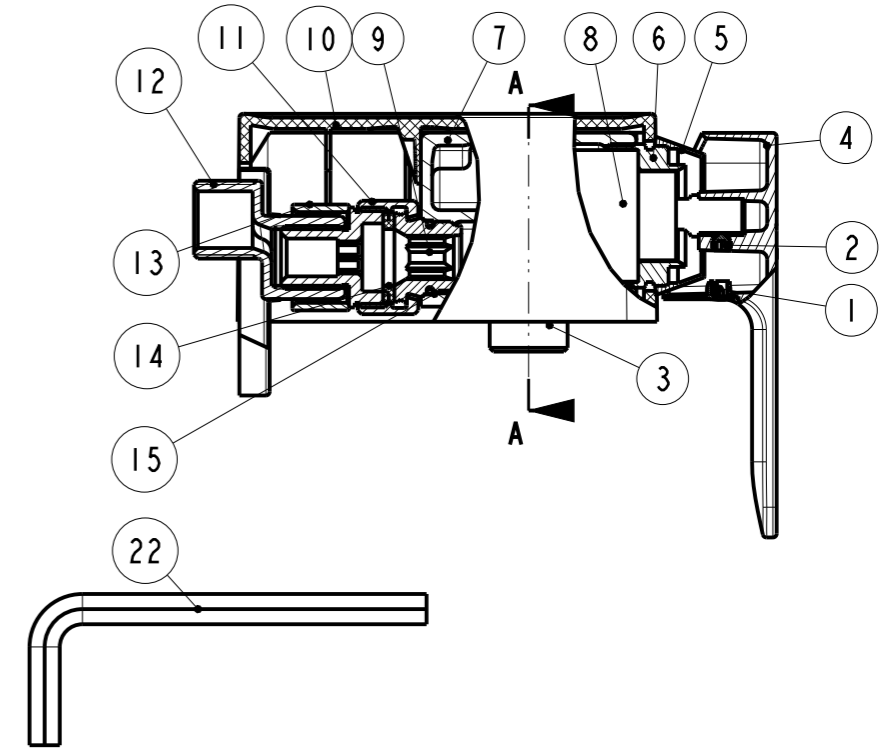
Tolerance, Unless Otherwise Stated, Is			
Above 0.5 to and including 6	6		±0.1
Excess 6 to and including 30	30		±0.2
Excess 30 to and including 120	120		±0.3
Excess 120 to and including 315	315		±0.5
Excess 315 to and including 1000	1000		±0.8
Excess 1000 to and including 2000	2000		±1.2



SECTION E-E

SECTION F-F  
<XSEC NAME>

SECTION C-C  
D-D  
SCALE 0.500



NO.	PART NO.	PART NAME	QTY	MATERIAL	FINISH
18	FF1-CN521G00000110	O-Ring ?14* 2	3	NBR	
17	FF1-CN521J00000068	Plug	2	Hpb59-1	
16	FF1-CN521N00000169	The bolt M4 L=9	3	SUS 304	
15	FF1-CN521G00000112	O-Ring 15.6*1.78	2	NBR	
14	FF1-CN521G00000341	Washer Φ24*Φ15*2	2	NBR	
13	FF1-CN521N00000308	Con Bolt	2	SUS 304	
12	FF1-CN521T00000066	S-Connection	2	SUS 304	
11	FF1-CN521N00000291	NUT-G3/4inch,Cr	2	Hpb59-1	Chrome
10	FF1-CN521Z00000447	Decorative box	1	ABS	Chrome
9	FF1-CN521W00000048	THREADED NIPPLE	2	Hpb59-1	
8	FF1-CN521C00000017	C35P1 Cartridge	1	Assembly	
7	FFZZ1311-60150BDPL	Body	1	GkMs60Fk	Chrome
6	FF1-CN521N00000309	Lock Nut	1	Hpb59-1	
5	FF1-CN521Z00000448	Cartridge Cover	1	ABS	Chrome
4	FF1-CN521L00000196	Handle	1	ZZnA14-1	Chrome
3	FF1-CN521J00000558	Hose connector	1	Hpb59-1	Chrome
2	FF1-CN521N00001099	Screw M5*6	2	SUS304	
1	FF1-CN521Z00004950	Plug for handle	1	ABS	Chrome
NO.	PART NO.	PART NAME	1	MATERIAL	FINISH

DESIGNED	TITLE		
CHECKED	REF		
APPROVED	Acacia E Exposed Shower Mixer		
SCALE	MATERIAL	WEIGHT	DWG NO.
1:2	Assembly		FFAS1312-702500BF0

22	FF1-CN521Z00000445	Hex Wrench	1	AQ235-A	
21	FF1-CN521F00000283	Escutcheon	2	SUS304	
20	FF1-CN521H00000103	Support	1	SUS304	
19	FF1-CN521N00000306	Cross SCREWS ST4.2X40	2	SUS304	
NO.	PART NO.	PART NAME	QTY	MATERIAL	FINISH

REV	DESCRIPTION	DATE	NAME

**American  
Standard**