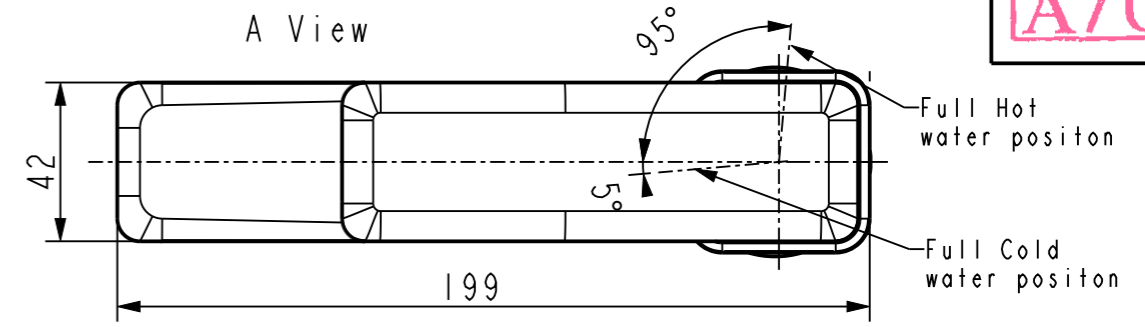
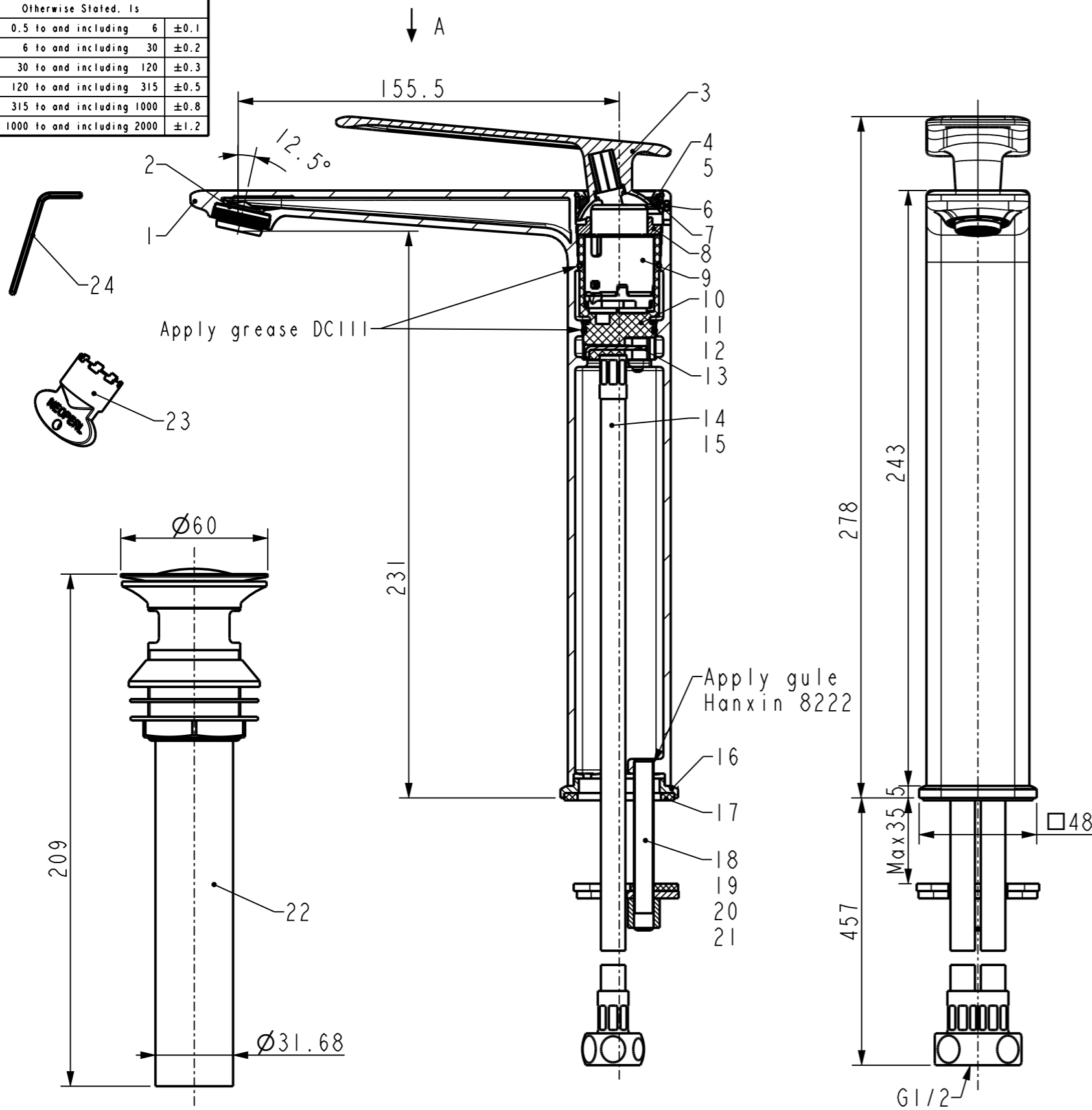


Tolerance, Unless Otherwise Stated, Is			
Above	0.5 to and including	6	±0.1
Excess	6 to and including	30	±0.2
Excess	30 to and including	120	±0.3
Excess	120 to and including	315	±0.5
Excess	315 to and including	1000	±0.8
Excess	1000 to and including	2000	±1.2



技术要求：  
 1、阀芯锁紧扭矩为8~10N.m，其余扭矩参照《W109.1520组装扭矩使用规范》。  
 2、O环涂润滑油参照《W108.0724产品润滑油使用规范》  
 3、涂胶水参照W109.1519《组装常用胶水操作规范》。  
 4、产品组装后符合W110.0504最终检验标准、GB18145陶瓷片密封水嘴。  
 Technical requirements:  
 1.Cartridge locking torque is 8~10N.m, the rest of the torque refer to <W109.1520>.  
 2.O ring lubricating refer to <W108.0724>  
 3.Apply glue refer to <W109.0519>.  
 4.The product meets the W110.0504 final inspection standard and GB18145.

24	FF1-CN521Z00000253	1582361499\Hex Wrench (W.A.F 2.0)	Q235-A	1	
23	FF1-CN521A00000097	1582364399\M24X1 SLIM Aerator Key	PA66	1	
22	FF1-CN521X0019750B	PA Brass Press Action Pop-up Drain	Component	1	Chrome Plated
21	FF1-CN521N0008499S	Lock Nut M8X12	S.S304	1	
20	FF1-CN521G00000092	Improve GNV Sgl Rubber Washer	NBR70	1	
19	FF1-CN521F00000064	Improve GNV Sgl Fix Plate	S.S304	1	
18	FF1-CN521J0023299S	Bolt M8x70	S.S304	1	
17	FF1-CN521G00000036	Washer 45*34.7*3	NBR70	1	
16	4253950000	Bottom Washer for Acacia SS Basin Mixer	ZZNAI4-1	1	Chrome Plated
15	FF1-CN521T0002599P	Flexible hose(red)(L=600mm)	Component	1	
14	FF1-CN521T0002699P	Flexible hose(blue)(L=600mm)	Component	1	
13	4253979990	Hose Fastening for Acacia SS Basin Mixer	S.S304	1	
12	FF1-CN521G00000111	1581212599\O型圈 24*2 H57	NBR70	1	
11	FF1-CN521G00000255	158A912641\O环 28.30x1.78	NBR70	1	
10	4254279990	Cartridge Manifold for Acacia SS Mixer	PPA+GF40	1	
9	415860040	GR28D Cartridge	Component	1	
8	4254129990	Cartridge nut for Acacia SS Basin Mixer	HPb59-1	1	
7	4253969990	Seal Ring for Acacia SS Basin Mixer	TPF	1	
6	4277669990	Screw M4x3-130°	S.S304	1	
5	FF1-CN521G0006399R	O Ring Φ28*1.5	NBR70	1	
4	4254150200	Cover for Acacia SS Basin Mixer	ABS	1	JMW-1
3	4253090000	Handle for Acacia SS Extended Vessel Mixer	ZZNAI4-1	1	Chrome Plated
2	FF1-CN521A0008299P	M24X1 SLIM Air(ECO)Joy2.1.2GPM	Component	1	
1	4253930000	Body for Acacia SS Extended Vessel Mixer	GkMs60Fk	1	Chrome Plated

No.	Part Code	Part Des. (EN)	Material	Qty.	Remark
DESIGNED	CK PAN	2025.3.1	TITLE Acacia SS Extended Basin Mixer_APAC		
CHECKED	Aaron Wang	2025.03.01	REF 新阿卡西亚舒薄丽单孔碗盆龙头-镀铬_亚太		
APPROVED	Franko	2025.3.1.			
SCALE	MATERIAL	WEIGHT	DWG NO.		
1:2	Assembly		1124150000		

REV	DESCRIPTION	DATE	NAME

