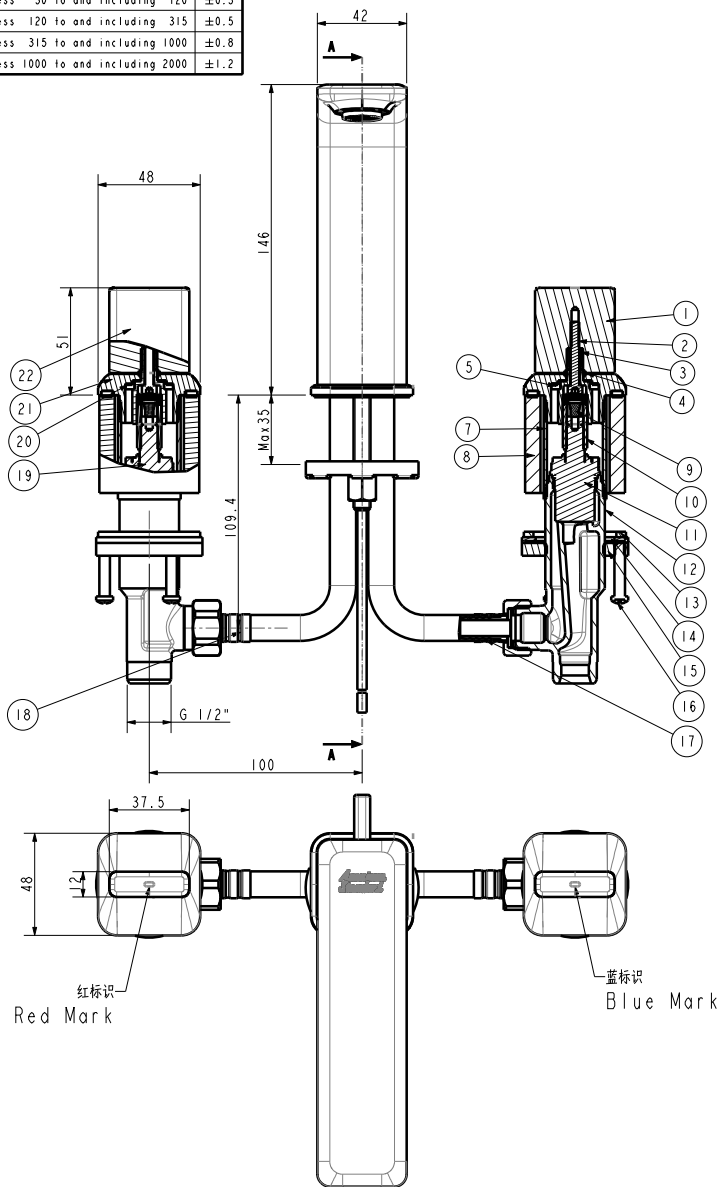
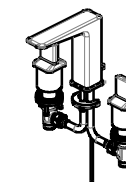
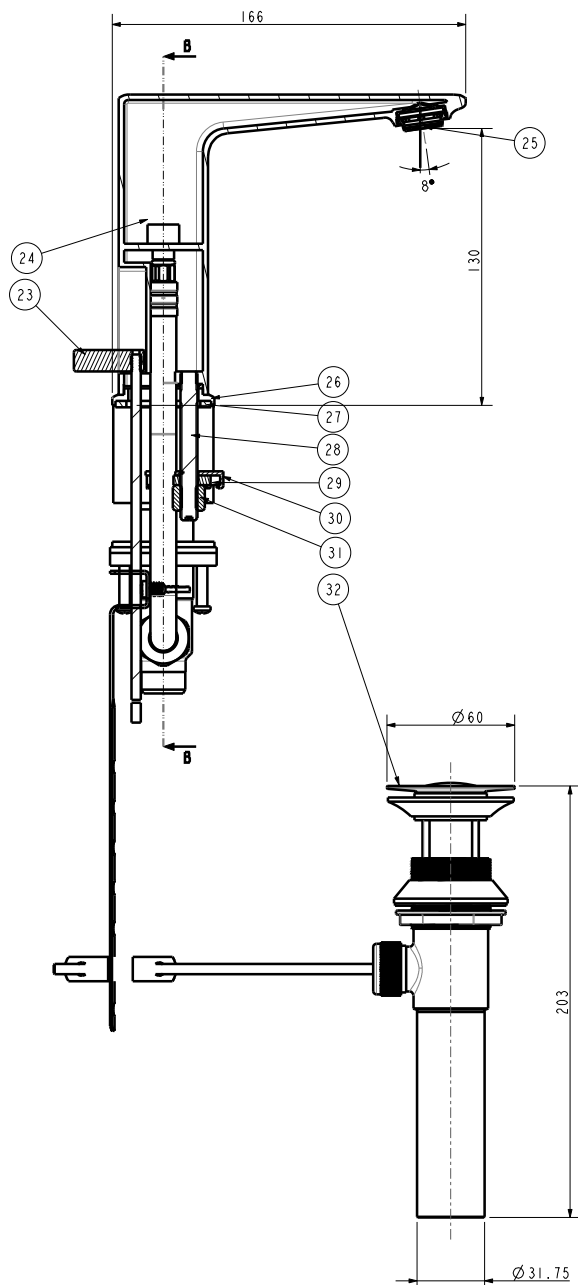


Tolerance, Unless Otherwise Stated, Is		
Above 0.5 to and including 6	±0.1	
Excess 6 to and including 30	±0.2	
Excess 30 to and including 120	±0.3	
Excess 120 to and including 315	±0.5	
Excess 315 to and including 1000	±0.8	
Excess 1000 to and including 2000	±1.2	

SECTION B-B



SECTION A-A



SCALE 0.100

技术要求:

1. 产品组装后符合内控标准W110.0507, GB18145陶瓷片密封水嘴检测要求。
1. The product meets the W110.0507 inspection standard after assembly and GB18145.

1	4274160000	新阿卡西亚舒薄丽三孔面盆龙头把手 蓝标识	锌合金	1	
2	FF1-CN52100011399S	悦厨大尺寸厨房龙头圆柱头内六角螺丝M4*30	SUS304	2	
3	4257100000	新阿卡西亚舒薄丽转换套	Hpb59-1	2	
4	4257249990	新阿卡西亚舒薄丽转动固定圈1	POM	2	
5	4257259990	新阿卡西亚舒薄丽转动固定圈2	POM	2	
7	4257269990	新阿卡西亚舒薄丽牙管加长接头	Hpb59-1	2	
8	4257279990	新阿卡西亚舒薄丽牙管辅助安装件	尼龙PA66	2	
9	FF1-CN521N00000154	1581831899\英标1号上升组螺钉 M4	Hpb59-1	2	
10	FF1-CN521Z00000348	158A918106\希耐立面盆式浴盆把手联接套(A918106)	POM	2	
11	FF1-CN521C0000029	AC-867\1/2"90瓷阀逆时针关闭(TWG)	组件	1	
12	FFZ2020-60150BDMC	1570003399.MC\三通阀体(A900862)出口墨西哥(工件) (除铅)	GM\560Fk	2	
13	FF1-CN521G0000035	1581174699\平垫片 748* 739* 2.5	NBR	2	
14	FF1-CN521W0000045	158A914777\美曼特®三孔面盆三通紧固铜垫片	Hpb59-1	2	
15	FF1-CN521N00000220	158A906198\美曼特®三孔面盆三通紧固螺母	Hpb59-1	2	
16	FF1-CN521N00000125	1581723199\螺钉M5X20	SUS304	6	
17	FF1-CN521T0004999P	单孔进水管(PEX,蓝,450mm)	组件	1	
18	FF1-CN521T0004999P	单孔进水管(PEX,红,450mm)	组件	1	
19	FF1-CN521C0000030	AC-869\1/2"90瓷阀逆时针打并(TWG)	组件	1	
20	4257090000	新阿卡西亚舒薄丽三孔面盆龙头把手角座	锌合金	2	
21	FF1-CN521W00000011	1581183899\弹性垫片	碳钢	4	
22	4257170000	新阿卡西亚舒薄丽三孔面盆龙头把手	锌合金	1	
23	4253980000	新阿卡西亚舒薄丽三孔面盆龙头提拉杆	铜+SUS304	1	
24	4256880000	新阿卡西亚舒薄丽三孔面盆龙头本体	GM\560Fk	1	
25	FF1-CN521A0008299P	M24X1 SLIM Air可调节起泡器(408014010-PCA-DC-1	组件	1	
26	4253950000	Acacia SS 单孔面盆龙头底部垫片	锌合金	1	
27	4301139990	平垫片 45x3.47x3 硬度40	NBR	3	
28	FF1-CN521U0023299S	螺钉M8x70	SUS304	1	
29	FF1-CN521F00000064	1580770299\改进型GNV单体紧固板	SUS304	1	
30	FF1-CN521G00000092	1581191299\改进型GNV单体橡胶垫	NBR	1	
31	FF1-CN521N0008499S	不锈钢螺母M8X12	SUS304	1	
32	FF1-CN521X00004350	PA型全铜提拉排杆	组件	1	

序号	料号	描述	材料	数量	备注
DESIGNED	利华波	20250605	TITLE	Acacia SS 3-hole Basin Mixer.	
CHECKED	张	2025.06.05	REF	新阿卡西亚舒薄丽®脸盆龙头-镀铬.	
APPROVED	张	2025.06.05	DWG NO.	1124160000	
SCALE	MATERIAL	WEIGHT	0.400		

American Standard

REV	DESCRIPTION	DATE	NAME