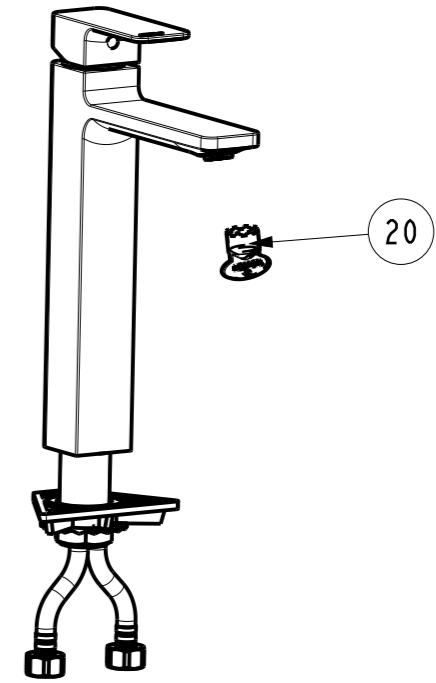
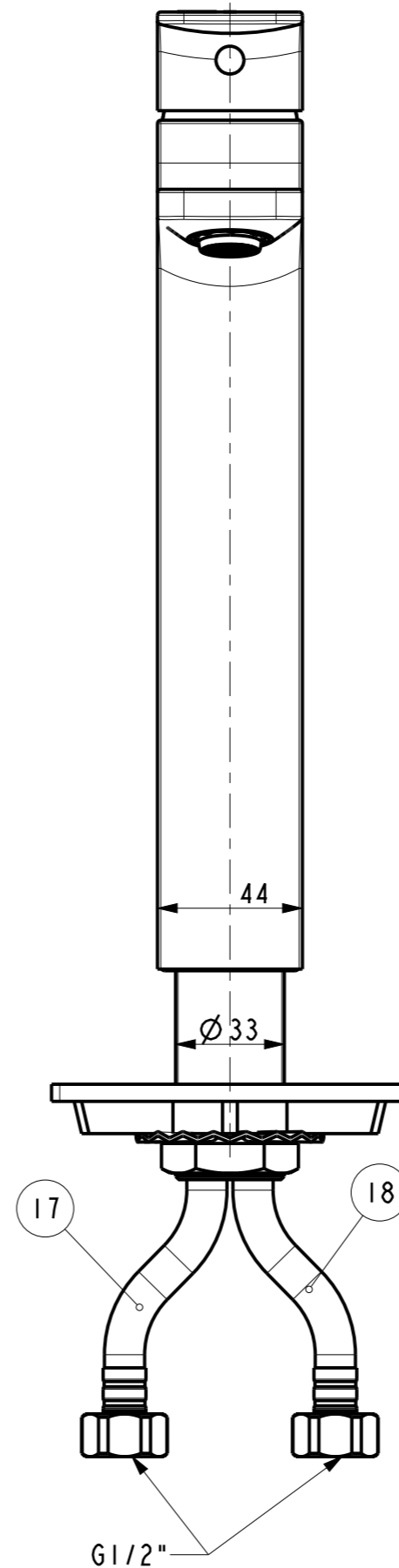
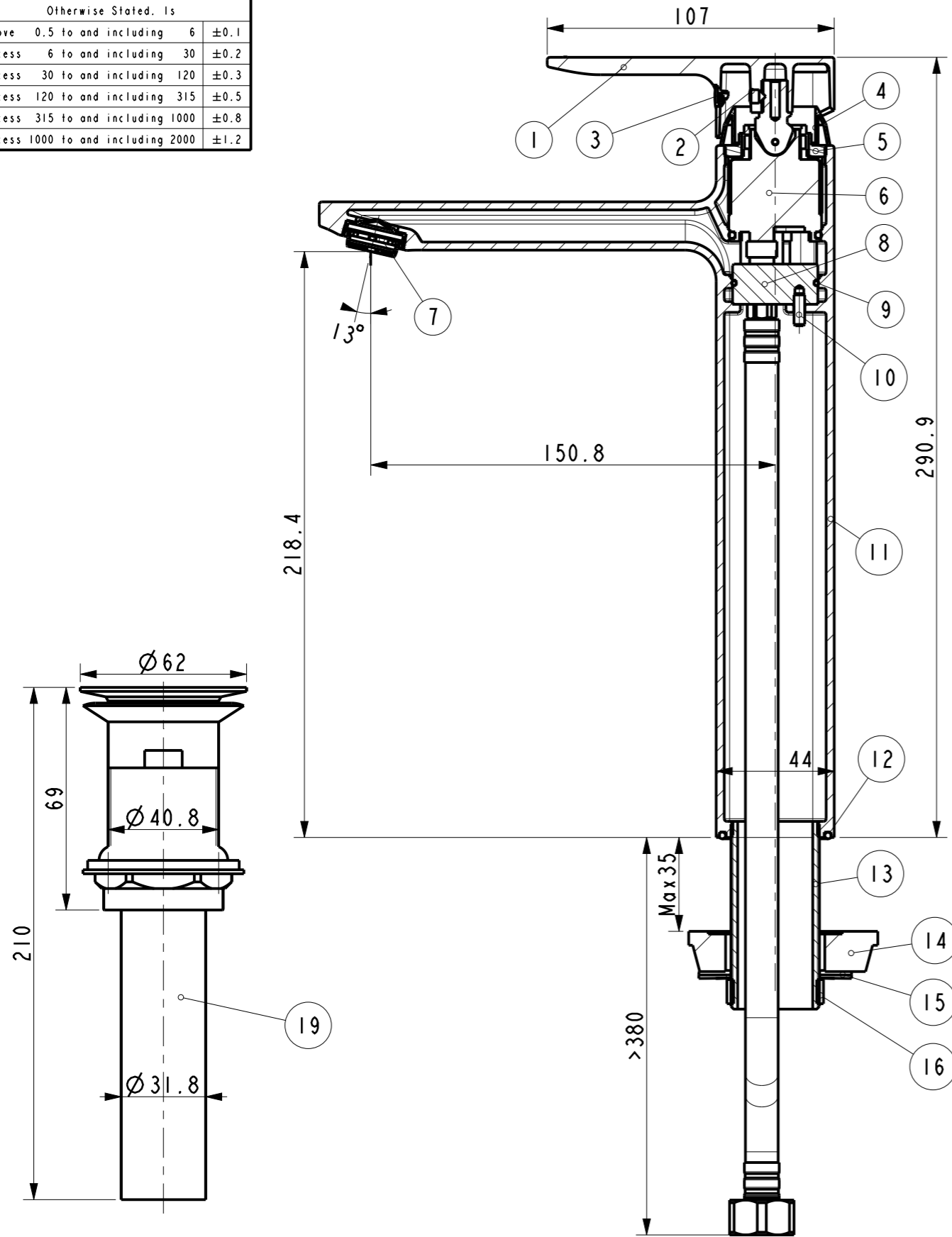


| Tolerance, Unless Otherwise Stated, Is | | | | |
|--|-----------------------|------|--|------|
| Above | 0.5 to and including | 6 | | ±0.1 |
| Excess | 6 to and including | 30 | | ±0.2 |
| Excess | 30 to and including | 120 | | ±0.3 |
| Excess | 120 to and including | 315 | | ±0.5 |
| Excess | 315 to and including | 1000 | | ±0.8 |
| Excess | 1000 to and including | 2000 | | ±1.2 |



| 20 | FF1-CN521A00000097 | M24X1 SLIM Aerator Key | 1 | PA66+CF30 | |
|-----|--------------------|--|-----|-----------|--------|
| 19 | FF1-CN521X00000066 | Press-Action Pop-up For Celia Line | 1 | Assembly | |
| 18 | FF1-CN521T0004999P | The Flexible Pipe(PEX,blue,450mm) | 1 | Assembly | |
| 17 | FF1-CN521T0004899P | The Flexible Pipe(PEXred,450mm) | 1 | Assembly | |
| 16 | FF1-CN521N00000296 | Nut M33*1.5 n=9 N | 1 | Hpd59-1 | |
| 15 | FF1-CN521J00000500 | Washer | 1 | SUS304 | |
| 14 | FF1-CN521Z00000062 | Plate for Minimalistic S-W Extended Bowl | 1 | POM | |
| 13 | FF1-CN521J00000271 | Lock Teeth | 1 | Hpd59-1 | |
| 12 | FF1-CN521G00000159 | O-Ring 37*2.5 | 1 | NBR | |
| 11 | FFZZ1302-10150BDPL | Body for Acacia E | 1 | GkMs60Fk | Chrome |
| 10 | FF1-CN521N00000176 | Bolt M4*15 | 1 | SUS304 | |
| 9 | FF1-CN521G00000247 | O-ring 26.70*1.78 | 1 | NBR70 | |
| 8 | FF1-CN521J00000056 | Maifold for New Mass Vessel F | 1 | Hpd59-1 | |
| 7 | FF1-CN521A00000102 | M24X1 SLIM Air SSR Aerator (2.2gpm) | 1 | Assembly | |
| 6 | FF1-CN521C00000057 | 35# ECO Cartridge (KN-35 ECP) | 1 | Assembly | |
| 5 | FF1-CN521N00000091 | Lock Nut for Minimalistic | 1 | Hpd59-1 | Chrome |
| 4 | FF1-CN521F0004050P | Cartridge Cover | 1 | ABS | Chrome |
| 3 | FF1-CN521Z00004950 | Plug for handle (Chrome) | 1 | ABS | Chrome |
| 2 | FF1-CN521N00000228 | In-Hex Screw for Celia LeverM5*6 | 1 | SUS 304 | |
| 1 | FF1-CN521L00000191 | Handle for Acacia E SH Basin | 1 | ZZnAL4-1 | Chrome |
| NO. | PART NO. | PART NAME | QTY | MATERIAL | FINISH |

| DESIGNED | | | TITLE |
|----------|----------|--------|---|
| CHECKED | | | REF |
| APPROVED | | | Acacia Evolution Extended Basin Mixer with Pop-up Drain |
| SCALE | MATERIAL | WEIGHT | DWG NO. |
| 1:2 | Assembly | | FFAS1302-101500BF0 |

American Standard

| REV | DESCRIPTION | DATE | NAME |
|-----|-------------|------|------|
| | | | |