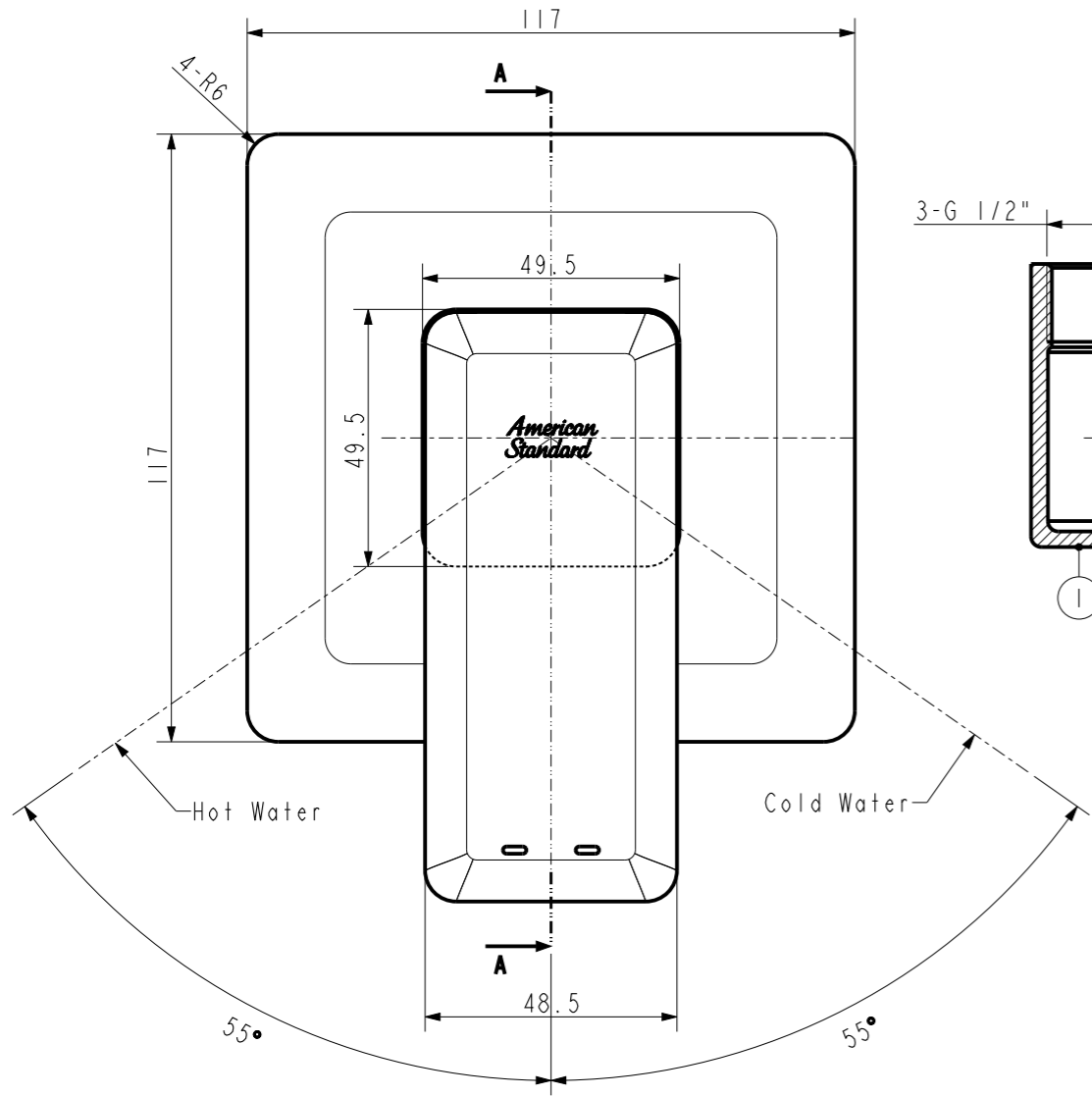
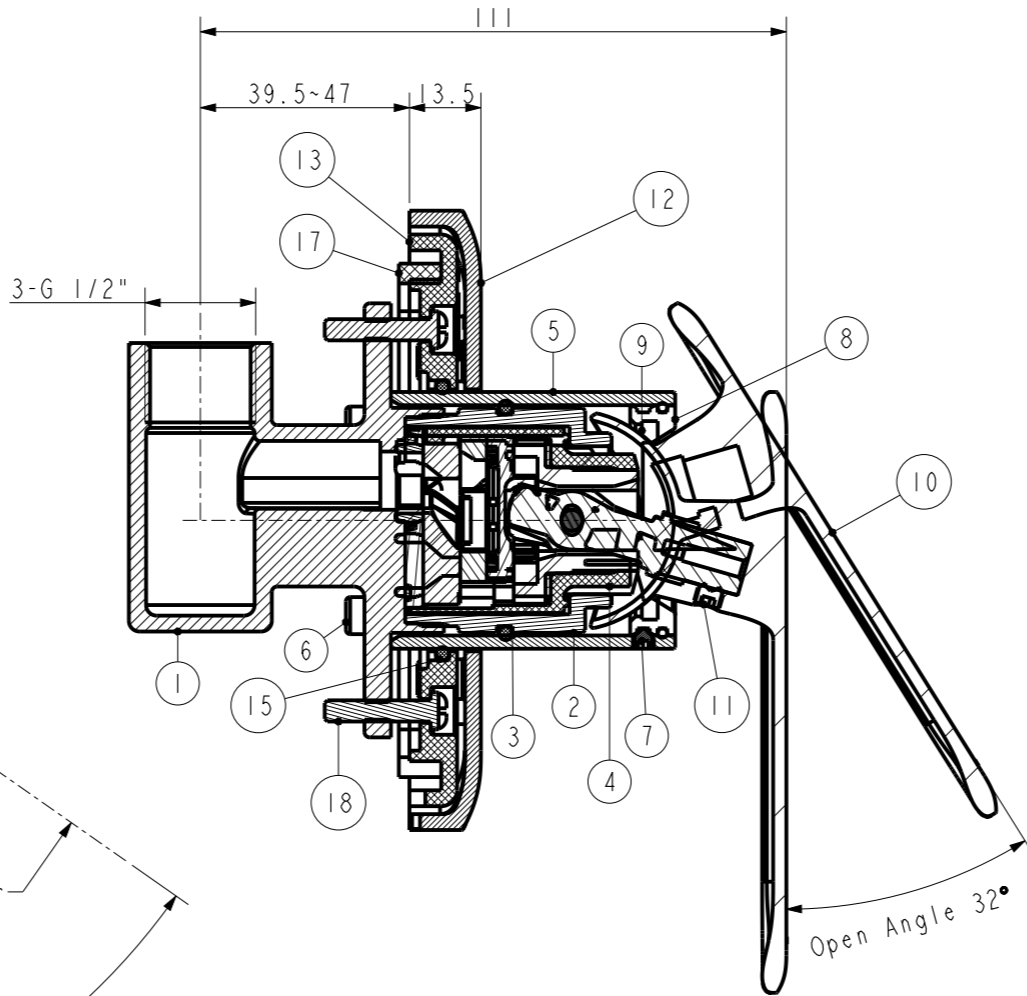


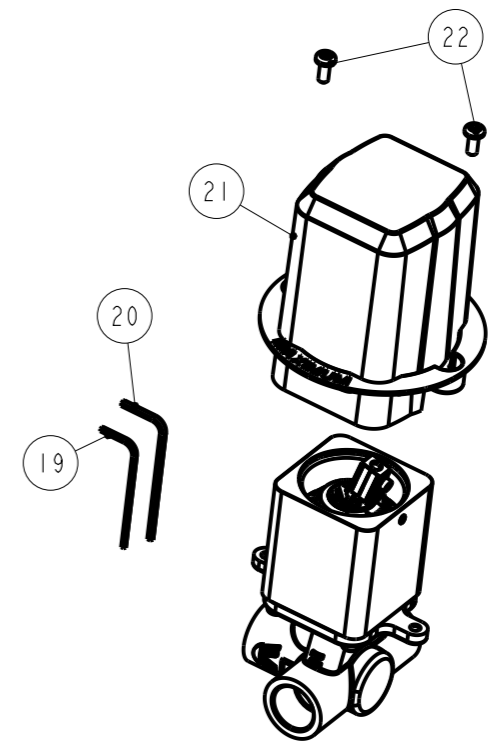
Tolerance, Unless Otherwise Stated, Is			
Above	0.5 to and including	6	±0.1
Excess	6 to and including	30	±0.2
Excess	30 to and including	120	±0.3
Excess	120 to and including	315	±0.5
Excess	315 to and including	1000	±0.8
Excess	1000 to and including	2000	±1.2



比例 0.700



截面 A-A



22	FF1-CN521N0000194	2002 Screw (Zinc)	15818609F4\2002保护套螺钉	2	SUS304	
21	FF1-CN521Z0000212	1582240799\Protect Cover for Inwall(47#)	1582240799\入墙淋浴保护套(47 #)	1	PP	
20	FF1-CN521Z0000254	In-Hex Wrench for H01 Mixer	1582361599\H01入墙式混水阀内六角扳手	1	Q235	Black
19	FF1-CN521Z0000253	1582361499\Hex Wrench (W.A.F.2.0)	1582361499\六角扳手 (对边2.0)	1	Q235	Black
18	FF1-CN521N0000268	Screw (M4X20)	158K618253\螺钉(M4X20)	2	SUS304	
17	FF1-CN521K0000034	1581193599\Foam Washer for Nobile In-Wal	新典入墙面板胶垫(海绵垫)4*8*570mm	1	EVA	
16	FF1-CN521G0000291	O-Ring(7X2)(Water Mark)	158A912789\O环(7X2)(Water Mark)	4	SUS304	
15	4266309990	Bushing Sealing Ring for Acacia SS	Acacia SS阀芯铜套密封圈	1	NBR	
14	4266919990	Fixing Plate for Acacia SS Concealed Shower	Acacia SS 入墙淋浴控制阀面板固定板	1	ABS	
13	FF1-CN521J0000214	158180199\U\Fix Pin for Universal Conceal	158180199\入墙面板通用固定销钉	4	HPb59-1	
12	4266830000	Escutcheon for Acacia SS Concealed Shower	Acacia SS 入墙淋浴控制阀面板	1	ZZnAl4-1	CP
11	4266559990	In-Hex Screw M5*4 (Machine)	内六角凹面端紧定螺丝M5X4(机加工)	1	SUS304	
10	4266860000	Handle for Acacia SS Concealed B&S Mixer	Acacia SS 入墙浴缸控制阀把手	1	ZZnAl4-1	CP
9	4266729990	Washer for Acacia SS Concealed B&S Mixer Handle	Acacia SS 入墙浴缸控制阀把手密封垫	1	TPE	
8	4266280000	Cover for Acacia SS	Acacia SS 入墙浴缸控制阀芯顶盖压盖	1	HPb59-1	CP
7	4277669990	Screw M4x3-130°	四方螺钉M4x3-130°	1	SUS304	
6	FF1-CN521N0000272	158K618333\Screw(M4X10)	158K618333\螺钉(M4X10)	4	SUS304	
5	4266710000	Brass Bushing for Acacia SS	Acacia SS 入墙浴缸控制阀阀芯铜套	1	HPb59-1	CP
4	FF1-CN521C00002499P	G35 cartridge W/O distributor(408556840)	G35平脚阀芯 (408556840)	1	Assembly	
3	FF1-CN521G0000166	1581222499\O-Ring(33*2)	1581222499\O形环(33*2)	1	NBR	
2	FF1-CN521N0007399B	Cartridge locknut for 1721	1721阀芯锁紧螺母	1	HPb59-1	
1	FFZZ0021-0027699MC	Body for Signature Concealed Shower Only	1722入墙式淋浴龙头本体 (AA, 加工件)	1	GKM60Fk	

Technical requirements 技术要求 :

- Cartridge tightening torque is 8~10 N.m and the other torque is implemented according to the (W109.1520 assembly torque specification);  
阀芯安装扭力为8~10N.m, 其它符合W109.1520要求.
- O-ring coated lubricating oil DC111;  
O环需涂油DC111.
- The product should meet GB 18145 and W110.0504  
Final inspection standard-faucet;  
产品需符合GB18145要求, 外观需符合W110.0504要求.

REV	DESCRIPTION	DATE	NAME

No.	Part No.	Part Name(EN)	Part Name(CN)	QTY	Material	Finished
DESIGNED	阮国林	2025.06.23	TITLE	Acacia SS Concealed Shower mixer (APAC)		
CHECKED		2025.06.23	REF			
APPROVED		2025.06.23		新阿卡西亚舒薄丽入墙式淋浴龙头控制阀_镀铬		
SCALE	MATERIAL	WEIGHT	DWG NO.			
7:10	组件 / Assembly		1131290000			

