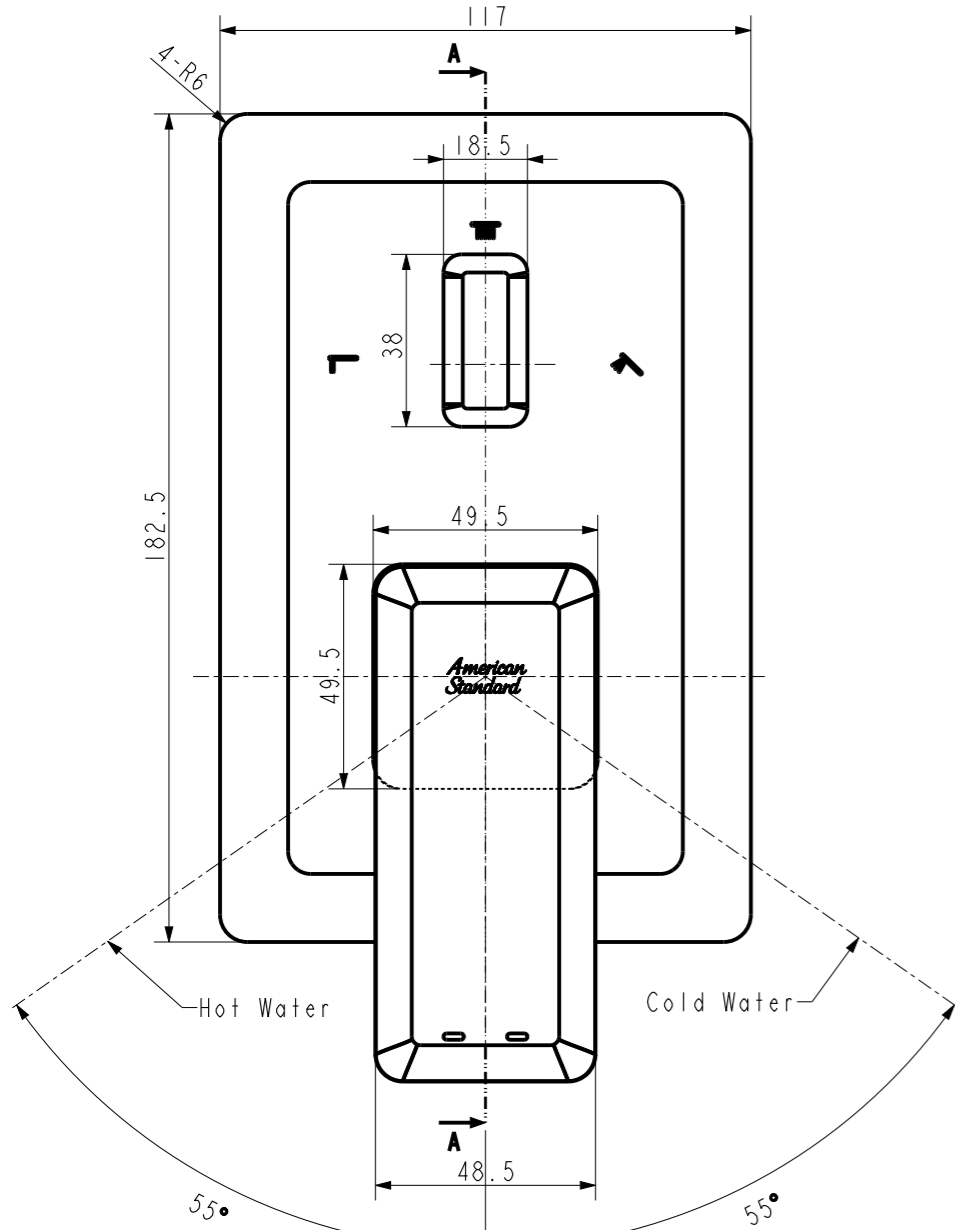
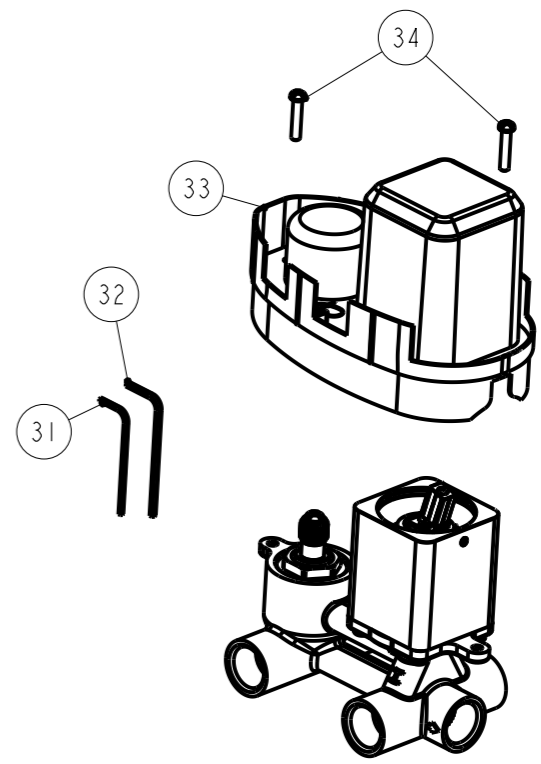
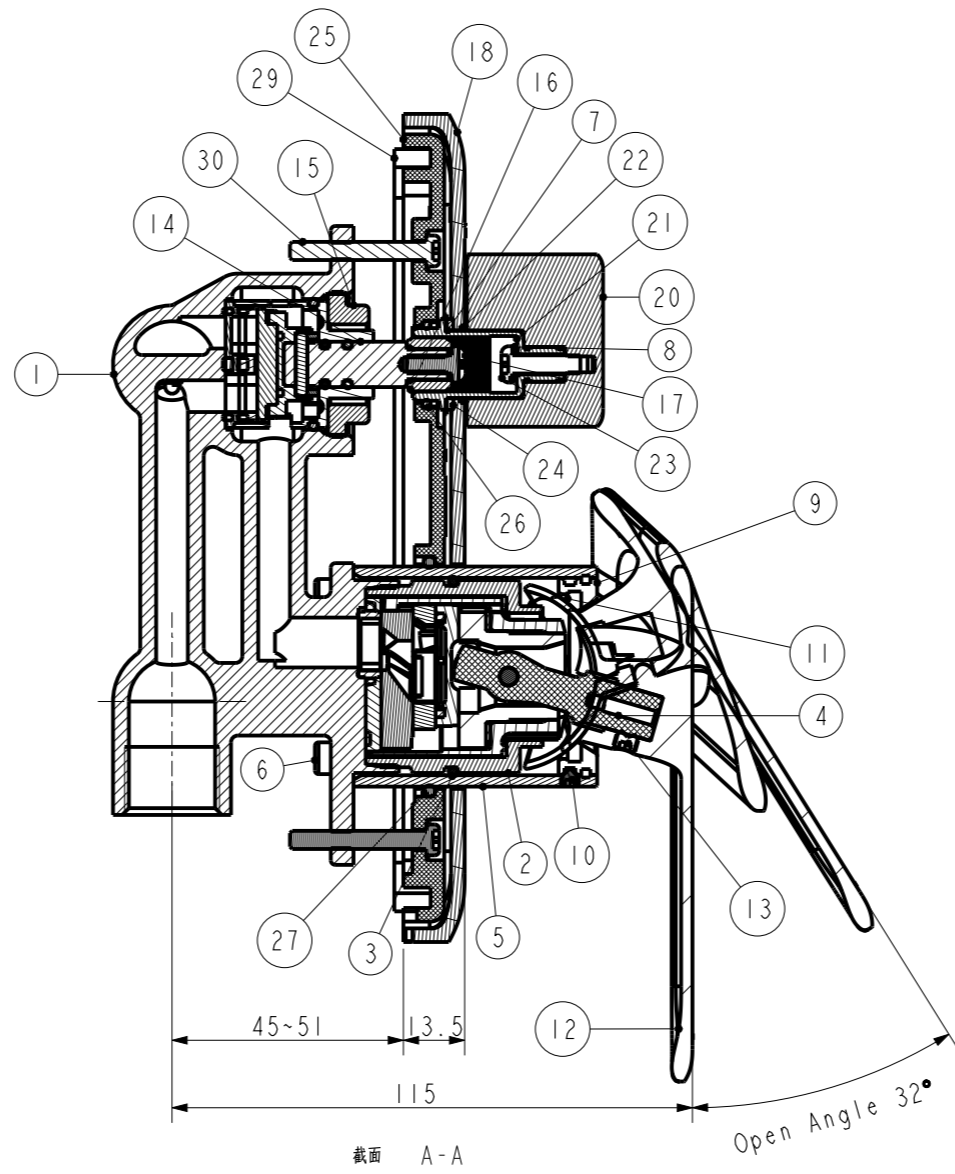


Tolerance, Unless Otherwise Stated, Is			
Above	0.5 to and including	6	±0.1
Excess	6 to and including	30	±0.2
Excess	30 to and including	120	±0.3
Excess	120 to and including	315	±0.5
Excess	315 to and including	1000	±0.8
Excess	1000 to and including	2000	±1.2



比例 0.600



No.	Part No.	Part Name(EN)	Part Name(CN)	QTY	Material	Finished
34	FFI-CNS21N0000268	Screw (M4x20)	158K5 18253 螺钉 (M4x20)	2	SUS304	
	4266739990	Protect Cover for Acacia SS Concealed B&S 3Way	新阿卡西亚舒薄丽入墙浴缸三切换控制阀保护套	1	PP	
32	FFI-CN 521 200000254	In-Hex Wrench for HD1 Mixer	1582361599 (H)C1 入模式混水阀内六角扳手	1	Q235	Black
31	FFI-CN 521 200000253	1582361499 (H) Hex Wrench (W.A.F.2.0)	1582361499 六角扳手 (W.A.F.2.0)	1	Q235	Black
30	FFI-CNS21N00000185	SCREW	1581839499 螺母 应用 洗面盆面板固定螺钉	2	SUS304	
29	FFI-CNS21K00000034	1581193599 (F) Foam Washer for Noble In-Wall	新典入墙面板嵌条 海绵垫 14" * 570mm	1	EA	
28	FFI-CNS21G00000291	O-Ring(7X2)(Water Mark)	158A812789 (O) (7X2) (Water Mark)	4	NBR	
27	4266309990	Bushing Sealing Ring for Acacia SS	新阿卡西亚舒薄丽阀芯 铜套密封圈	1	NBR	
26	FFI-CNS21G00000112	O-Ring 15.6*1.78	1581212699 (O) 圈 15.6*1.78	1	NBR	
25	4266929990	Fixing Plate for Acacia SS Concealed B&S 3Way	新阿卡西亚舒薄丽入墙浴缸三切换控制阀固定板	1	ABS	
24	4271569990	Washer Φ20xΦ15x1.5	平垫片 (Φ20xΦ15x1.5)	1	PO M	
23	FFI-CNS21N00000165	Screw M4*15	1581835499 螺钉 M4*15	1	HP59-1	
22	4271059990	Washer Φ16.8xΦ15x2.5	平垫片 (Φ16.8xΦ15x2.5)	1	PO M	
21	4266589990	Handle Adapter for Acacia SS Concealed Diverter 3Way	新阿卡西亚舒薄丽入墙浴缸三切换控制阀切换把手连接杆	1	HP59-1	
20	4266700000	Handle for Acacia SS Concealed Diverter 3Way	新阿卡西亚舒薄丽入墙浴缸三切换控制阀切换把手	1	ZZ-Al4-1	CP
19	FFI-CNS21J00000214	158180199 (U) Fix Pin for Universal Conceal	158180199 (U) 入墙面板 通用固定螺钉	4	HP59-1	
18	4266840000	Escutcheon for Acacia SS Concealed B&S 3Way	新阿卡西亚舒薄丽入墙浴缸三切换控制阀面板	1	ZZ-Al4-1	CP
17	FFI-CNS21N00000161	Fairline Tap Handle Screw	1581834599 (Z) 集立柱把手螺钉	1	HP59-1	
16	4266599990	Adapter for Acacia SS (20-48 Spline)	芯套 (20齿-48齿)	1	HP59-1	
15	FFI-CNS21N00000006	1580225599 (W) Nut for Venturo Single L	1580225599 螺母 单螺母	1	HP59-1	
14	FFI-CNS21C0003199P	28mm 3-way diverter	28mm 三方向切换阀芯	1	Assembly	
13	4266559990	In-Hex Screw M5*4 (Machine)	内六角凹面固定螺钉 M5x4 (机加工)	1	SUS304	
12	4266890000	Handle for Acacia SS Concealed B&S Mixer	新阿卡西亚舒薄丽入墙浴缸控制阀把手	1	ZZ-Al4-1	CP
11	4266729990	Washer for Acacia SS Concealed B&S Mixer Handle	新阿卡西亚舒薄丽入墙浴缸控制阀把手密封垫	1	TFE	
10	4277669990	Screw M4x3-130°	六角螺钉 M4x3-130°	1	SUS304	
9	4266280000	Cover for Acacia SS	新阿卡西亚舒薄丽入墙浴缸控制阀阀芯 顶盖压盖	1	HP59-1	CP
8	FFI-CN 521 200000157	1581520399 (S) Spring Washer 5(G8/T 99-198	1581520399 弹簧垫圈 5(G8/T 99-198)	1	65Mn	
7	FFI-CNS21W00000011	1581183899 (S) Spring Washer	1581183899 弹簧垫圈 5(G8/T 99-198)	1	Brass	
6	FFI-CNS21N00000272	158K6 18333 Screw (M4x10)	158K6 18333 螺钉 (M4x10)	4	SUS304	
5	4266710000	Brass Bushing for Acacia SS	新阿卡西亚舒薄丽入墙浴缸控制阀阀芯 铜套	1	HP59-1	CP
4	FFI-CNS21C000249P	G35 cartridge W/O distributor (408556840)	G35 平衡阀芯 (408556840)	1	Assembly	
3	FFI-CNS21G00000166	1581222499 (O) Ring (33 *2)	1581222499 (O) 形环 (33 *2)	1	NBR	
2	FFI-CNS21N0007399B	Cartridge lock nut for 1721	1721 阀芯锁紧螺母	1	HP59-1	
1	4266689990	Body for Acacia SS Concealed B&S Mixer 3Way	新阿卡西亚舒薄丽入墙浴缸三切换控制阀本体 (AA, 加工件)	1	GM150Fk	

Technical requirements 技术要求:

- Cartridge tightening torque is 8~10 N.m and the other torque is implemented according to the (W109.1520 assembly torque specification); 阀芯安装扭力为8~10N.m, 其它符合W109.1520要求.
- O-ring coated lubricating oil DCIII; O环需涂油DCIII.
- The product should meet GB 18145 and W110.0504 Final inspection standard-faucet; 产品需符合GB18145要求, 外观需符合W110.0504要求.

REV	DESCRIPTION	DATE	NAME

DESIGNED	CHECKED	APPROVED	SCALE	MATERIAL	WEIGHT	DWG NO.	
			3:5	Assem/组件		1131310000	

