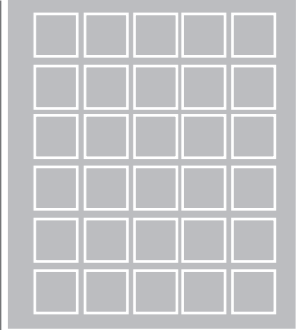
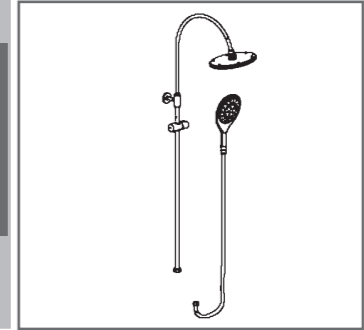


Thank you for selecting American-Standard - the benchmark of fine quality for over 100 years.
To ensure that your installation proceeds smoothly--please read these instructions carefully before you begin.

A-6110-978-905
 FFAS9075-000500BC0 (CF-9075.000.50)
 Moonshadow Rainshower System, D220GR



Installation & Operation Instructions

5 Usage

Diverter valve

- The diverter valve controls the shower head and hand shower.
- Pull up the diverter valve handle, the water sprays from hand shower will work.
- Press down the diverter valve handle, the water sprays from shower head will work

Push down the knob of slider (10), adjust the height of the slider to meet your demand.

Warning : When you are showering, please turn on the cold water at first, which can avoid burning accident especially to children and the elder.

6 Maintenance & Repair

Repairing

* When you repair the product, you need to shut hot/cold water supply, by closing supply valve.

Cleaning the surface of product

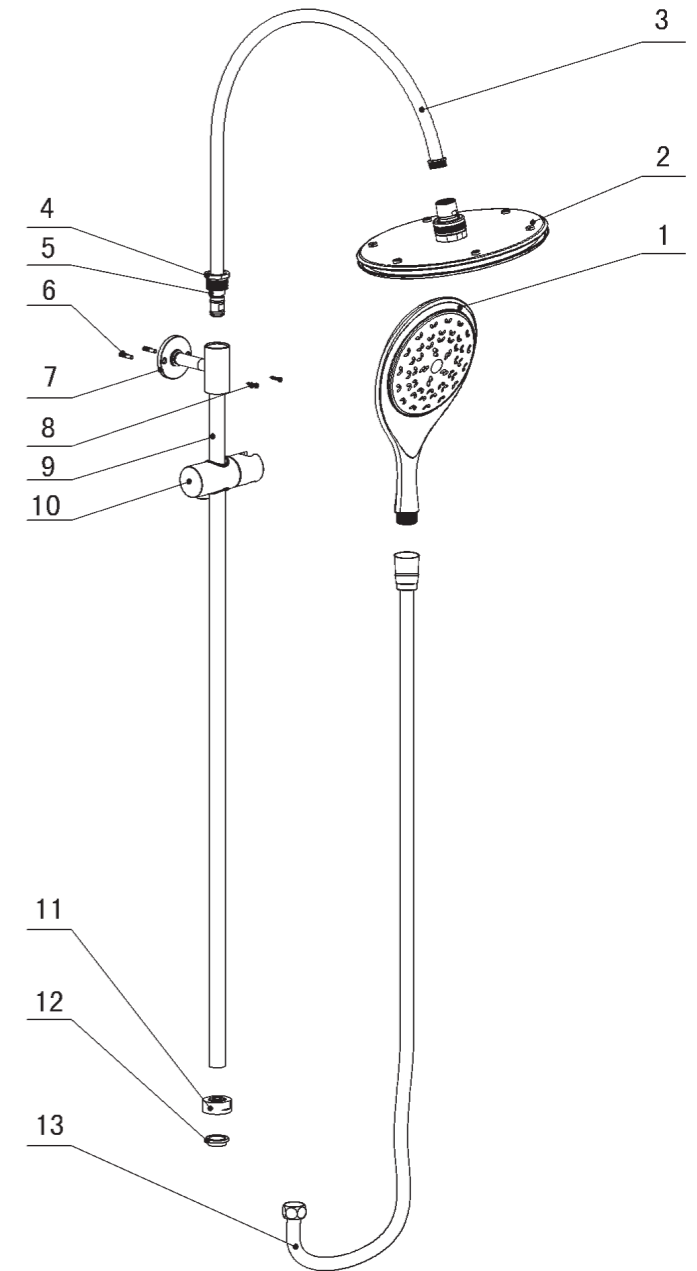
- * Rinse the product with clean water.
- * Dry with soft cotton flannel cloth.
- * Do not clean the product with acid, polish, abrasives, harsh cleaners, or cloth with a harsh surface as these products may damage the finish.

7 Trouble Shooting Guide

Trouble	Checkpoint	Contents	Action
Poor flow rate	Shower head	Check any impurities.	Remove all impurities.
	Water supply valve	Check valve position.	Open it to full valve
	Flexible hose	Check if hose is twisted.	Untwist the hose.
Leakage	Cartridge packing	Check cartridge install.	When packing is damaged, replace the cartridge.
	Hose junction	Check the connection.	Check the existence of packing and wind it up sufficiently
Deviant Temperature	Supply Valve	Check if the water from Supply valve is enough or not	Increase water supply

Part List

No.	Name	Qty
01	Hand Shower	1
02	Shower Head(Ø220mm)	1
03	Shower Arm Ø	1
04	Nut	1
05	O-Ring	1
06	Wall Plug	2
07	Fixing Bracket	1
08	Screw	2
09	Pipe	1
10	Slider	1
11	Nut	1
12	Washer	1
13	Hose	1



Attention:
Please Leave the manual to the customer after installation is finished.

* American Standard always keep raising and improving the product design and performance, and reserve the right to modify the dimension and specification. At this case, we will not inform you separately.
 * This installation instruction sheet is for your reference only, the dimension and specification is subject to the actual products.



1. CHECK EVERY COMPONENT BEFORE INSTALLATION

- After you open this package, please check the components in accordance with the Part list
- Whether any shortage, please contact the local agent or our company immediately.

2. RECOMMEND TOOLS & MATERIALS

- Spanner, Inner Hexangular Spanner, Phillips Screwdriver, Drill, Sinkers, Safety Glasses.

3. INSTALLATION INSTRUCTION

1 Befor Installation

- Thank you for using our high quality products. The product has been passed the functionality test before ex-factory, please do not disassemble by yourself at will.
- The working pressure of this product is 1.5kgf/cm²~7.5kgf/cm². The best water pressure is 2.0kgf/cm²~5.0kgf/cm².
- Please be careful of your security while drilling and installing.
- To use rain shower system is need to be body.

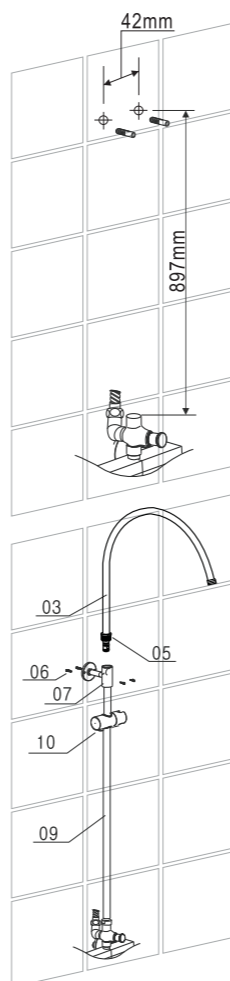
Warning: Please ensure there are no hidden service pipes and cables where you intend to drill.

Declare: We reserve the rights to alter the structure of the product without any notice.

It must use with body of American standard.

2 Drill the fixing bracket hole

- Before Drill on the wall, check height between FIXING BRACKET and Body.
- As right drawing, draw the FIXING BRACKET position on the wall.
- Drill two $\Phi 6$ mm holes in the wall. The depth of holes should be 35mm.



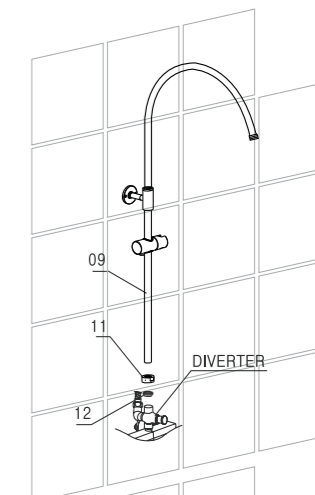
3 Assemble the both tubes

- Take the SHOWER ARM (03). Adjust the direction of SHOWER ARM (03) and the above FIXING BRACKET (07) as right drawing, then put the SHOWER ARM into the above FIXING BRACKET.
- Fix the SCREW (08), which locate in the above FIXING BRACKET (07), make sure the SHOWER ARM(03), PIPE(09) and above FIXING BRACKET (07) are firmly fixed



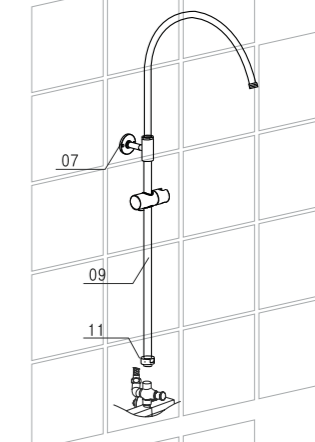
4 Connect pipe to diverter of faucet

- Assemble the NUT S/A(11) with PIPE(09) to area of DIVERTER
- Fix the NUT S/A(11) using spanner.



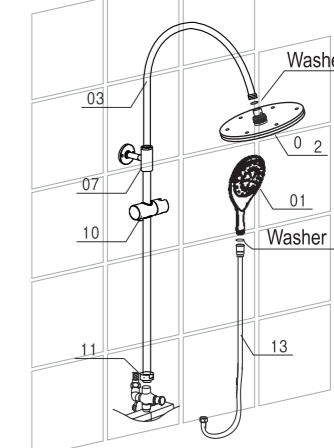
5 Adjust distance of fixing bracket

- It can be adjusted distance between wall and center of diverter by fixing bracket
- Notice that adjust distance Min 80mm to Max 110mm by fixing bracket



6 Install the hand shower, shower head and metal hose

- Put regulator into the METAL HOSE(13). Connect the METAL HOSE(13) with the HAND SHOWER (01) and the hex-nut of hose with the elbow of diverter. Set the hand shower into the SLIDER(10).
- Put regulator into tie-in of the SHOWER HEAD (02).
- Connect the SHOWER HEAD (02) and the SHOWER ARM (03).



- Check up every step to ensure the stability and tightness to avoid any leaking before testing the shower spray.

4. CAUTION

- When you use Hot water, Please be careful Hot water comes out from Shower head

