

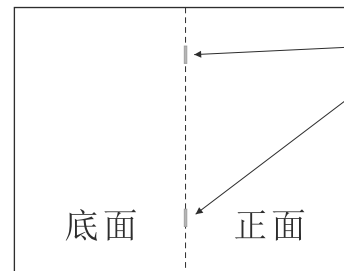
2020年9月23日

A/O

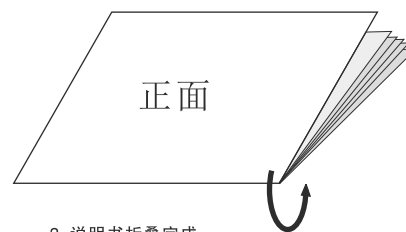
Tolerance, Unless Otherwise Stated. Is	
Above 0.5 to and including 6	±0.1
Excess 6 to and including 30	±0.2
Excess 30 to and including 120	±0.3
Excess 120 to and including 315	±0.5
Excess 315 to and including 1000	±0.8
Excess 1000 to and including 2000	±1.2



1. 说明书双面印刷完成 (297*210=A4) 共2张



2. 排序好页面, 并装订



3. 说明书折叠完成



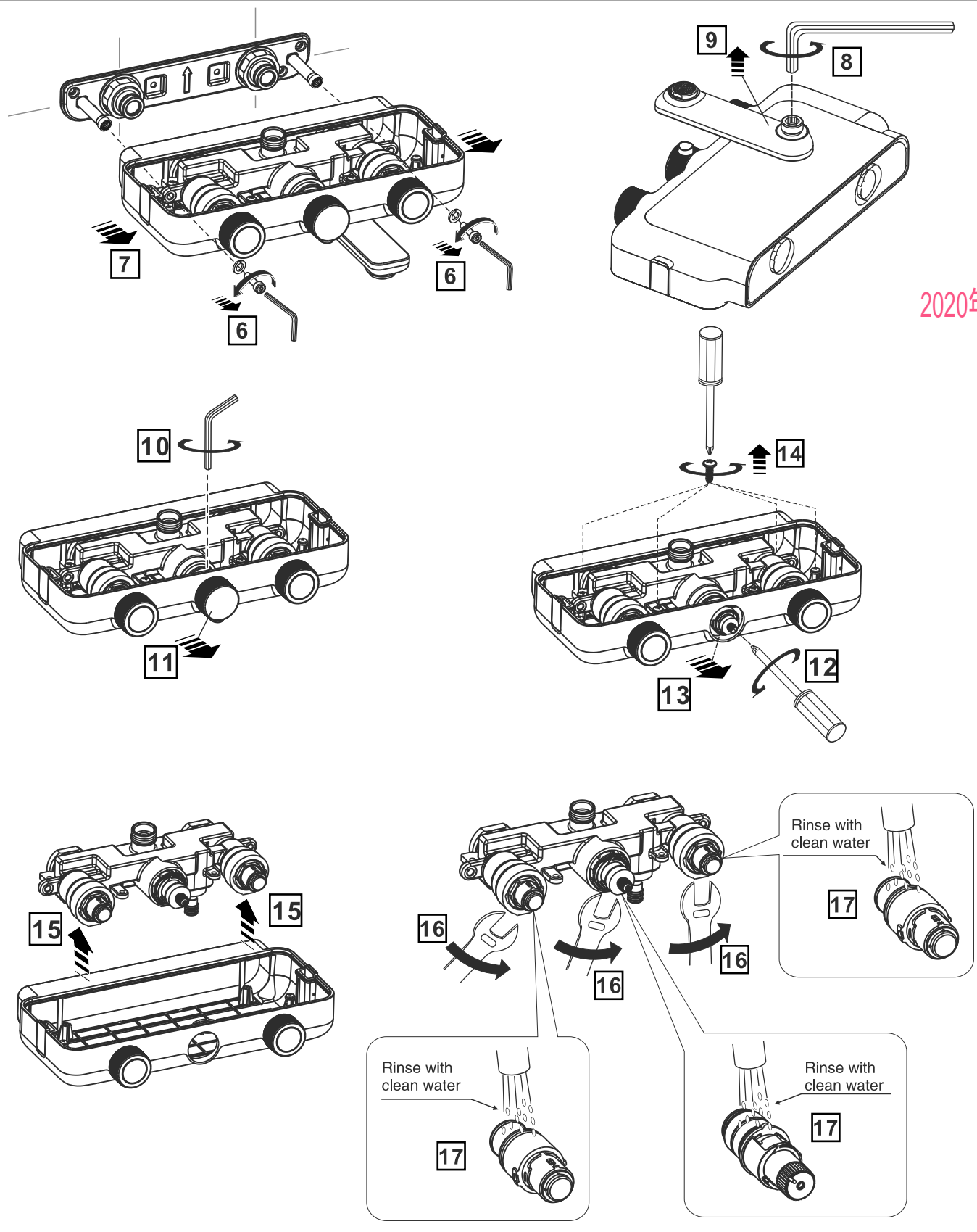
说明书完成效果(148x210=A5)

制作说明:

1. 说明书完成的尺寸: 148*210 (A5)
2. 材料: 80克的白色纸
3. 印刷说明: 说明书为297*210(A4) 双面印刷, 并折叠成A5大小装订完成(详看图示)
4. 印刷颜色: 黑白
5. 印刷时, 内容准确, 清晰, 墨色均匀, 表面清洁。

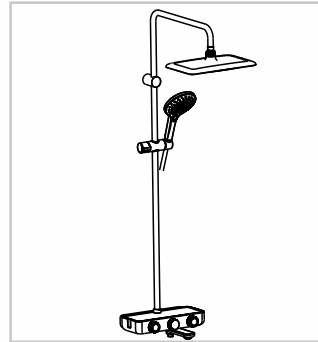
DESIGN	黄卓桓	2020. 09.22	TITLE	Instructions 英文说明书	
CHECKED	刘正华	2020. 09. 22	REF	FFAS4956-601500BT0	
APPROVED	李宇浩	2020. 9. 22.	EasySET Exposed Auto Temperature Shower System (3-way)		
SCALE	MATERIAL	WEIGHT	DWG NO.	American Standard	
REV	DESCRIPTION	DATE	NAME		

Maintenance

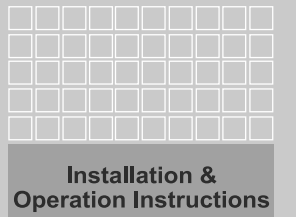


2020年9月23日
A/O

FFAS4956-601500BT0
EasySET Exposed Auto Temperature Shower System (3-way)



American Standard



Thank you for selecting American Standard the benchmark of fine quality for over 100 years. To ensure that your installation proceeds smoothly, please read these instructions carefully before you begin.

- * American Standard continually improves our product design and performance and reserves the right to modify the dimension and specification of our products accordingly without any prior notification.
- * Actual dimensions and specifications may vary, refer to physical product for exact dimensions and specification.

Pre-Installation Checks

* Remove impurities from pipes before installation to avoid clogging. Connect faucet pipes correctly. Ensure that the cold water hose is connected to the right side and the hot water hose to the left. Check installation distances from the dimension diagram to ensure correct installation.

Conditions for use

1. Recommended water pressure condition: 0.1~0.5MPa (For optimal performance and product longevity, we recommend adding a pressure reducing valve when water pressure exceeds 0.5MPa. Difference in pressure between hot and cold water should not exceed 0.2MPa)
2. Water Temperature: Cold Water 4°C ~ 29°C; Hot Water 45°C ~ 85°C (Recommended Hot Water Temperature 50°C ~ 75°C).
3. Ambient Temperature: 1~55°C
4. Note: Ensure water source is clean. Poor water quality can cause cartridge and internal components to clog, resulting in poor temperature sensitivity and/or product failure.

Attention

Please ensure that the hot water supply source is stable. Electric water storage heaters are ideal for use with EasySET Exposed Auto Temperature Shower System (3-way) for optimal performance. Common issues that may arise when hot water is supplied by gas and/or solar water heaters are as follows:

Common gas heater issue(s)

1. Every water heater has a minimum operational starting pressure (flow). When the lowest flow is selected with the mixer, the minimum operational starting pressure of the gas water heater may not be achieved and therefore, the gas heater will not function. When the residual hot water in the pipeline is discharged, the gas heater starts up, reheating the water. This repeated cycle results in an unstable hot water supply and inconsistent temperature delivery.

Solution:

- 1a. Set the water temperature of the water heater to 5°C higher than the thermostatic faucet (adjust with multiple manual knob, set the temperature knob in the lower position, and then use the knob to adjust the temperature of fire) the demand of hot water becomes larger in order to achieve the starting flow of the water heater. Recommended value: Summer: 45~50°C; winter 50~55°C.
- 1b. Set the water thermostatic faucet to full flow (half open water switch need to press the switch to rotate) you can also remove the limiting plug in the shower so that the water can become large to achieve the start flow of water heater.

Common solar heater issue(s)

2. As the solar water heater is not pressurized, hot water flows from to the mixer as a result of gravity. When the pressure from the cold water supply exceeds that of the hot water supply by 0.2MPa, hot water supply into the mixer is disrupted, resulting in inconsistent temperature delivery.

Solution:

- 2a. Add a pressure booster pump to the solar water heater so that the pressure of cold and hot water can be balanced. Push and save the pressurized water pressure: 0.3MPa.
- 2b. To add a pressure reducing valve on the cold water supply will also make the cold and hot water supply pressure balanced. When the water supply pressure exceeds 0.5MPa, the pressure relief valve is required. Recommended water pressure: 0.1~0.5MPa, hot and cold water pressure difference: less than 0.2MPa



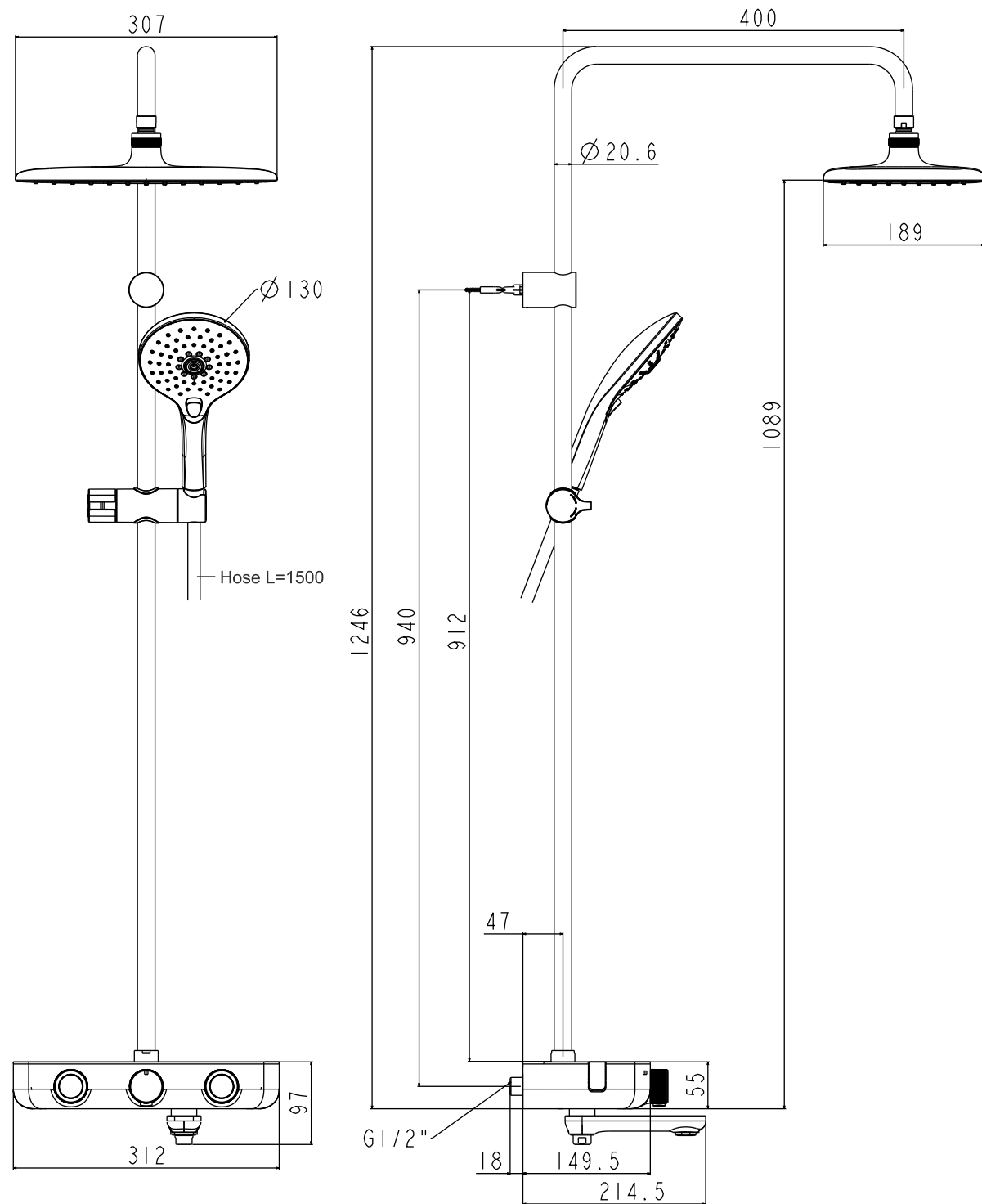
Attention:
Please leave manual with customer post installation.

Recommended Tools and Materials



Dimension

Unit: mm



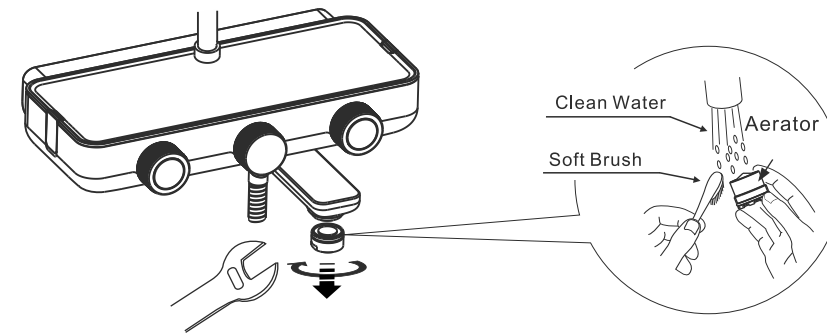
2020年9月23日
A/O

Trouble Shooting Guide

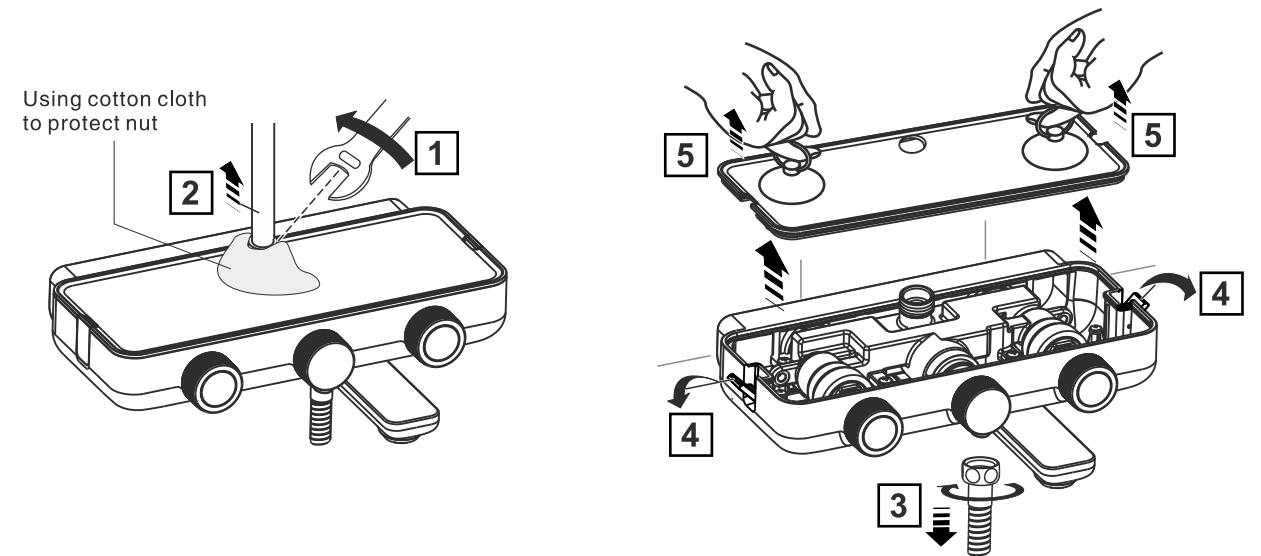
Issue	Component	Checkpoint	Corrective Action
Poor flow rate	Shower	Check if hose/ shower column is clogged	Remove all impurities
	Water supply valve	Check knob position	Turn knob to maximise water volume
Leakage	Cartridge	Check if cartridge is loosened	Fasten or replace cartridge
	Connection joints	Check the connection	Reassemble connecting part
Abnormal Temperature	Water supply pipeline	Check if hot and cold water supply has been connected correctly to the mixer	Connect the hot and cold water pipe correctly

Maintenance

* Clogged aerator due to poor water quality can lead to reduced water flow. Follow steps below to clean aerator to ensure optimal performance.



* Clogged cartridges due to poor water quality can affect product performance.
* Follow steps below to maintain optimal product performance.
* Note: please turn off water supply before maintenance process.



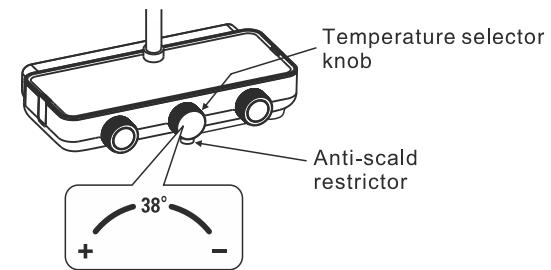
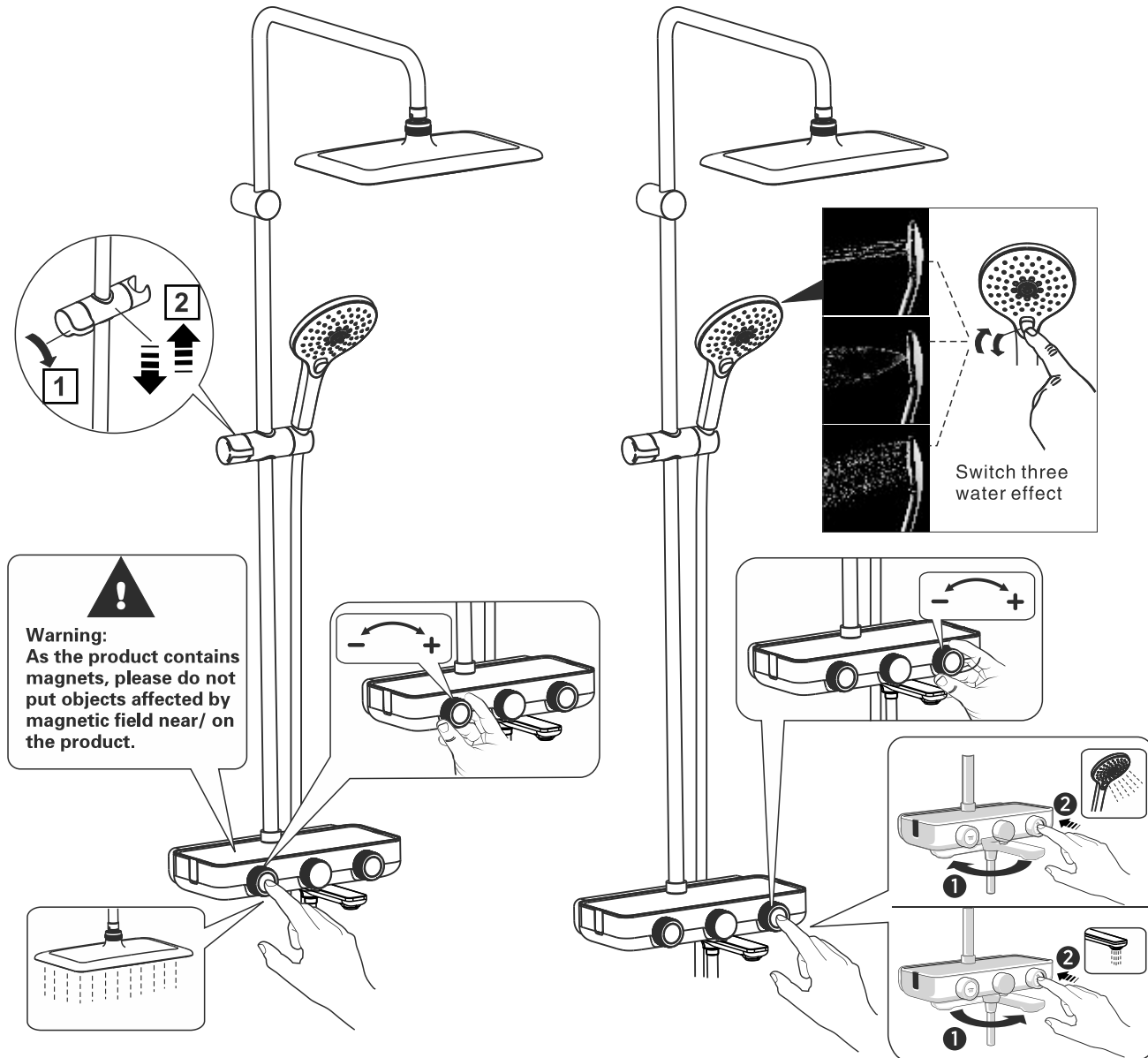
Test / Usage

1 Test

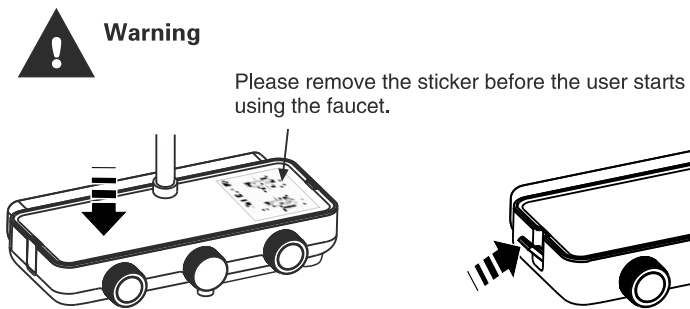
1. Press buttons to turn on/ off water and check for water flow and any potential leakages.
2. Rotate knobs in all directions to ensure that knobs are moving smoothly and water volume changes accordingly.

2 Usage

2020年9月23日
A/O



Operating the temperature selector:
* To select temperature above 38°C, press anti-scald restrictor whilst turning the knob.
(For safety reasons, temperature is limited to 49°C)

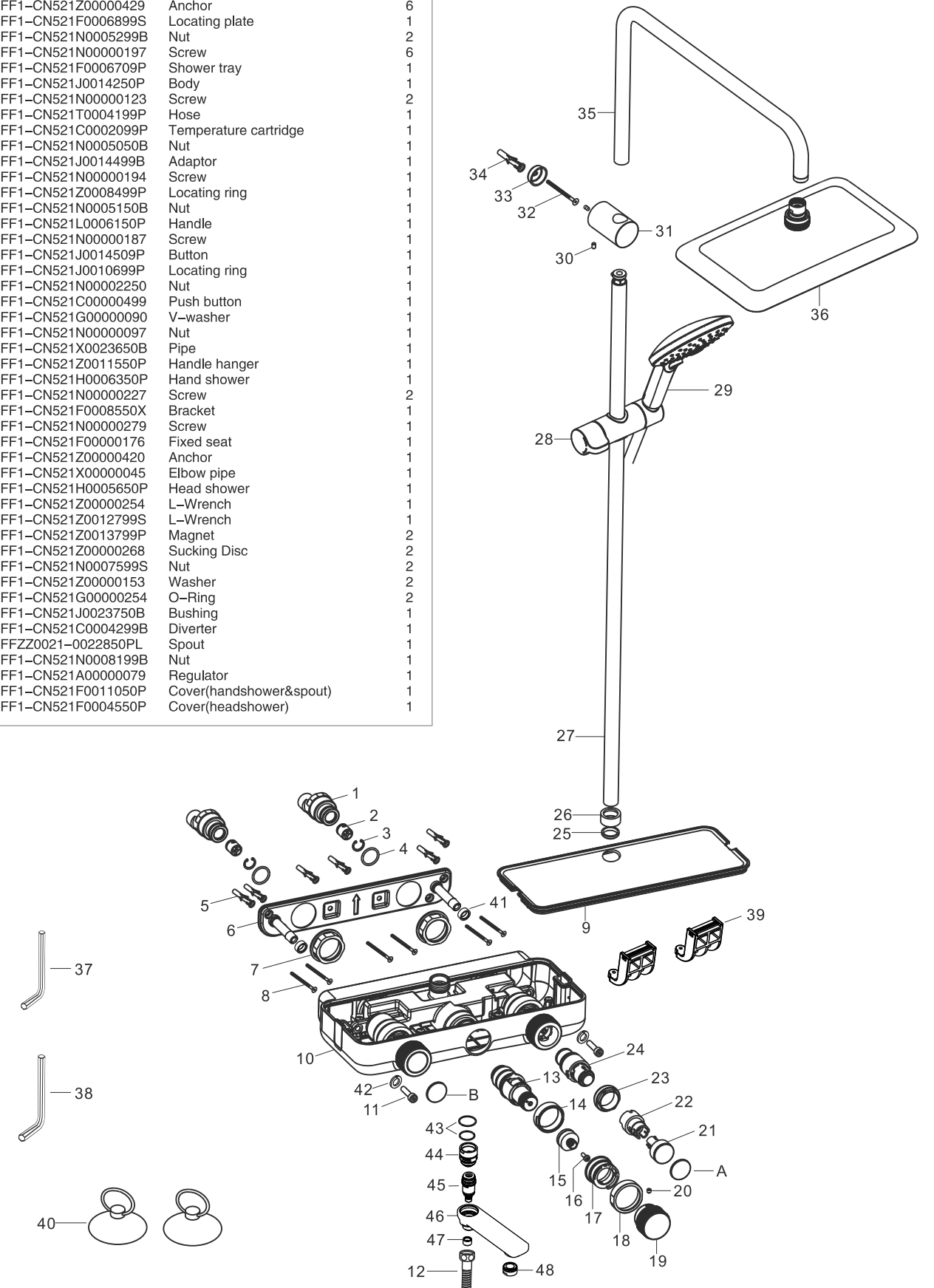


Load should not exceed 10kg.

Load on hook should not exceed 1.5kg.

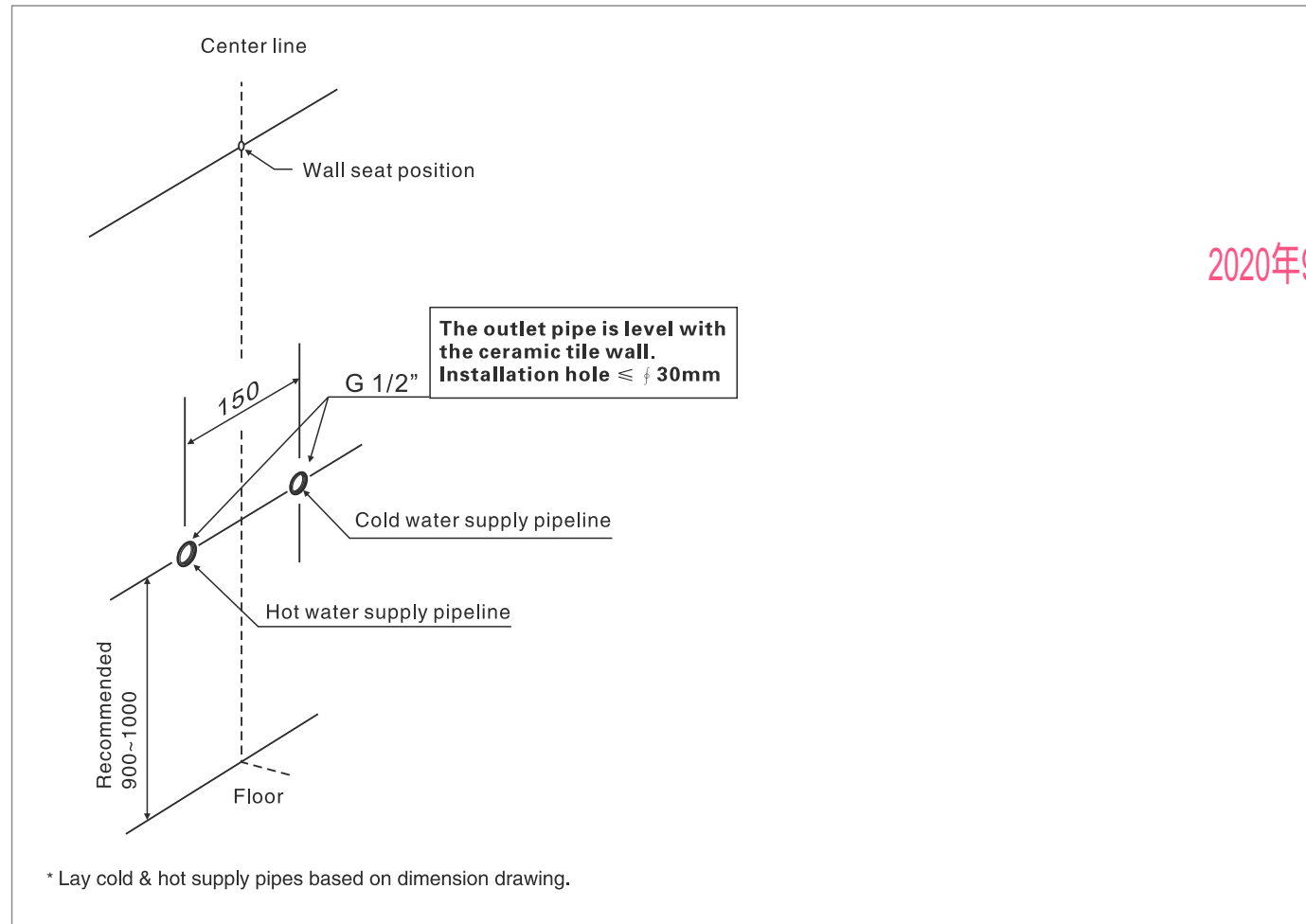
Parts List

No.	Part Code	Part Name	Q'ty
1	FF1-CN521J0014399B	S-connector	2
2	FF1-CN521Z00005199	Check valve	2
3	FF1-CN521Z0008599S	Snap ring	2
4	FF1-CN521G00000126	O-ring	2
5	FF1-CN521Z00000429	Anchor	6
6	FF1-CN521F0006899S	Locating plate	1
7	FF1-CN521N0005299B	Nut	2
8	FF1-CN521N00000197	Screw	6
9	FF1-CN521F0006709P	Shower tray	1
10	FF1-CN521J0014250P	Body	1
11	FF1-CN521N00000123	Screw	2
12	FF1-CN521T0004199P	Hose	1
13	FF1-CN521C0002099P	Temperature cartridge	1
14	FF1-CN521N0005050B	Nut	1
15	FF1-CN521J0014499B	Adaptor	1
16	FF1-CN521N00000194	Screw	1
17	FF1-CN521Z0008499P	Locating ring	1
18	FF1-CN521N0005150B	Nut	1
19	FF1-CN521L0006150P	Handle	1
20	FF1-CN521N00000187	Screw	1
21	FF1-CN521J0014509P	Button	1
22	FF1-CN521J0010699P	Locating ring	1
23	FF1-CN521N00002250	Nut	1
24	FF1-CN521C00000499	Push button	1
25	FF1-CN521G00000090	V-washer	1
26	FF1-CN521N00000097	Nut	1
27	FF1-CN521X0023650B	Pipe	1
28	FF1-CN521Z0011550P	Handle hanger	1
29	FF1-CN521H0006350P	Hand shower	1
30	FF1-CN521N00000227	Screw	2
31	FF1-CN521F0008550X	Bracket	1
32	FF1-CN521N00000279	Screw	1
33	FF1-CN521F00000176	Fixed seat	1
34	FF1-CN521Z00000420	Anchor	1
35	FF1-CN521X00000045	Elbow pipe	1
36	FF1-CN521H0005650P	Head shower	1
37	FF1-CN521Z00000254	L-Wrench	1
38	FF1-CN521Z0012799S	L-Wrench	1
39	FF1-CN521Z0013799P	Magnet	2
40	FF1-CN521Z00000268	Sucking Disc	2
41	FF1-CN521N0007599S	Nut	2
42	FF1-CN521Z00000153	Washer	2
43	FF1-CN521G00000254	O-Ring	2
44	FF1-CN521J0023750B	Bushing	1
45	FF1-CN521C0004299B	Diverter	1
46	FFZZ0021-0022850PL	Spout	1
47	FF1-CN521N0008199B	Nut	1
48	FF1-CN521A00000079	Regulator	1
A	FF1-CN521F0011050P	Cover(handshower&spout)	1
B	FF1-CN521F0004550P	Cover(headshower)	1

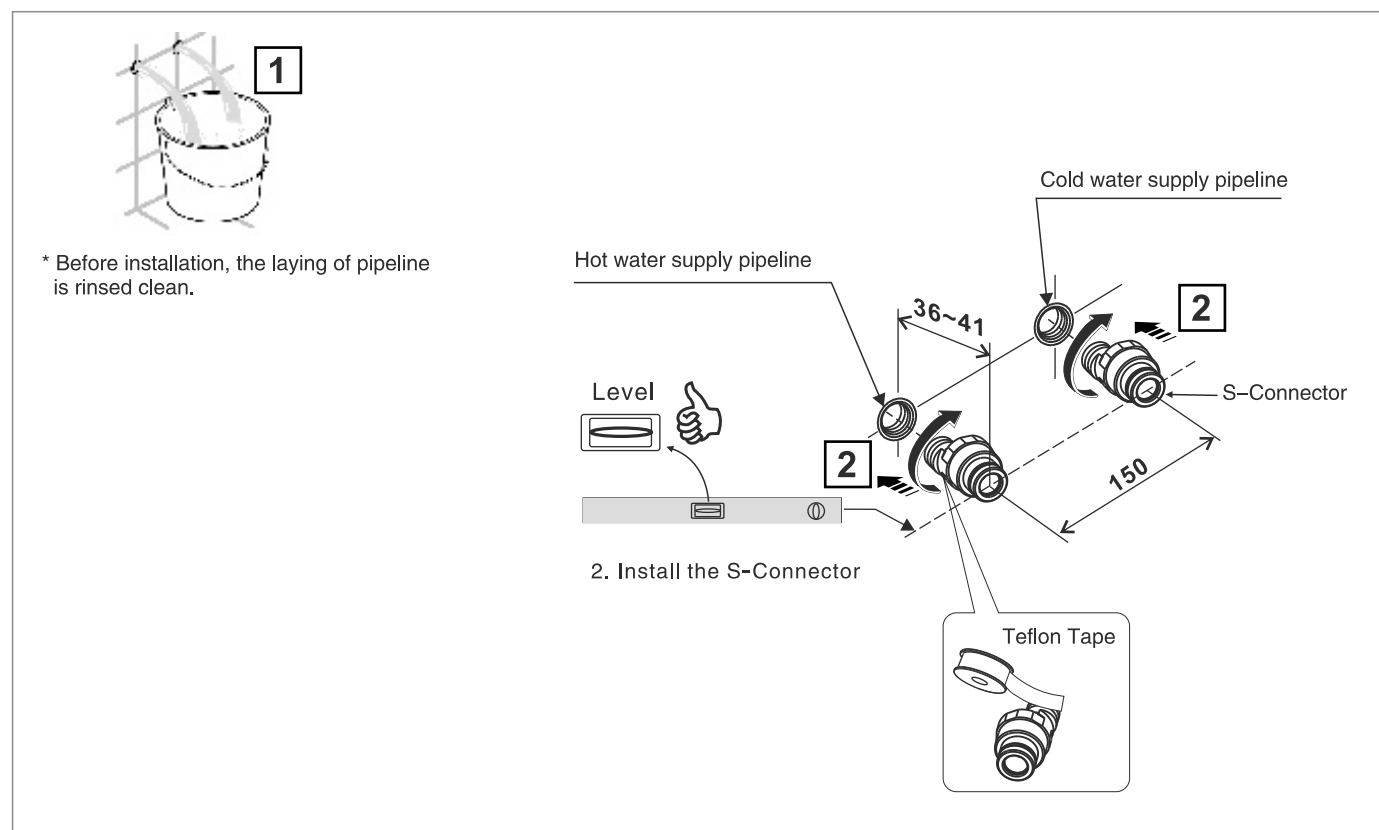


Installation

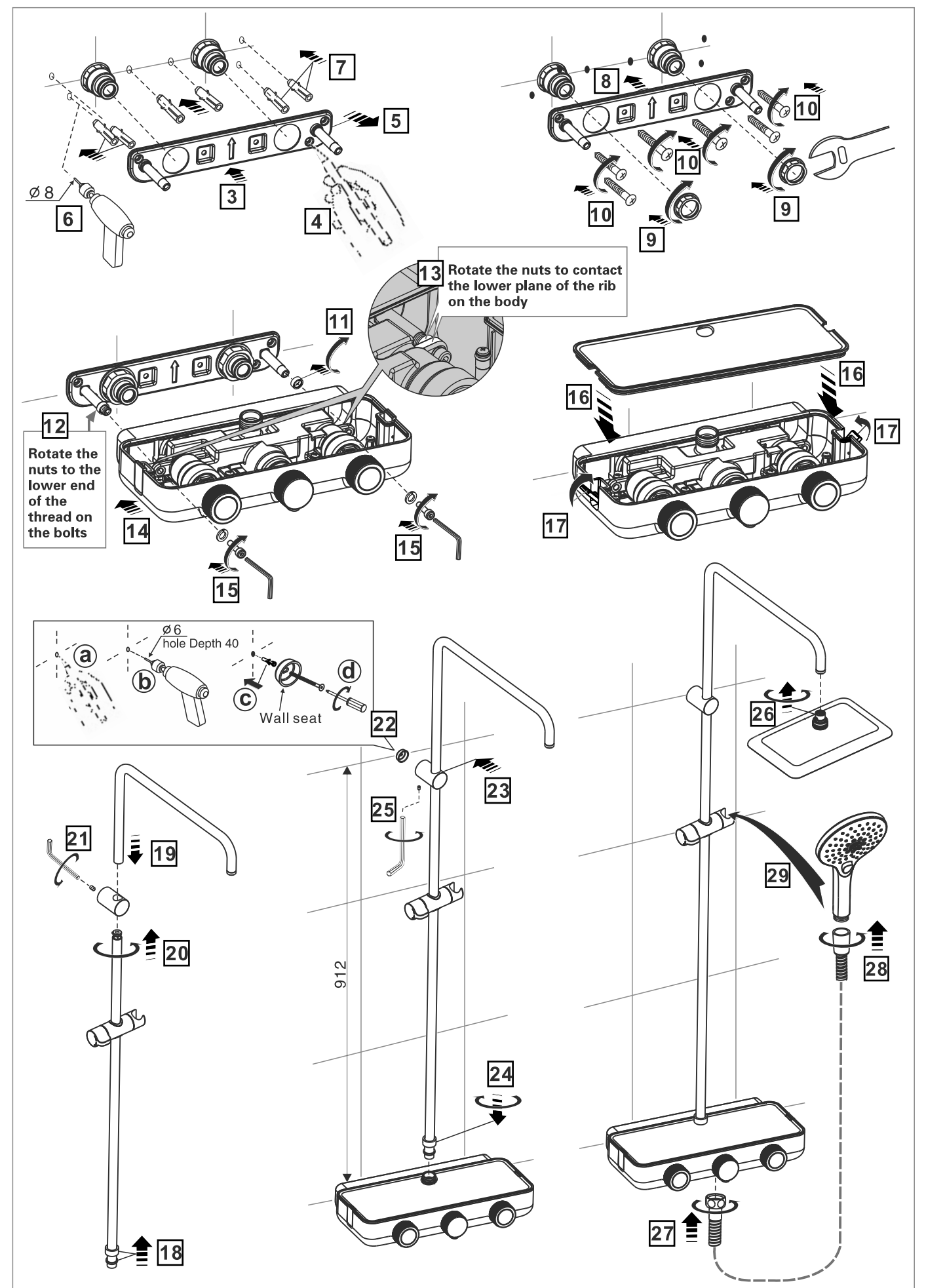
1 Preparation



2 S-Connector Installation



3 Product Installation



2020年9月23日
A/O