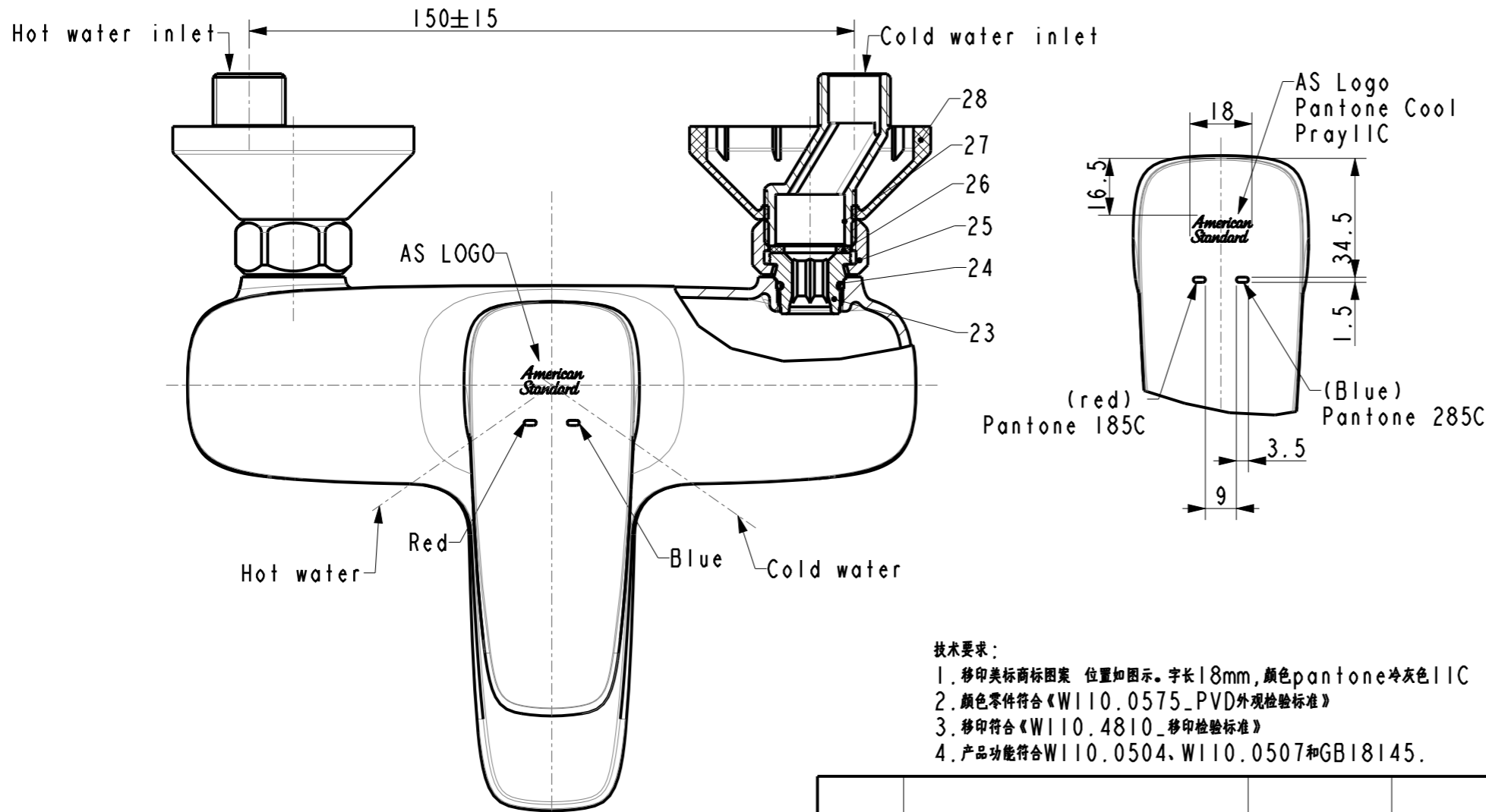
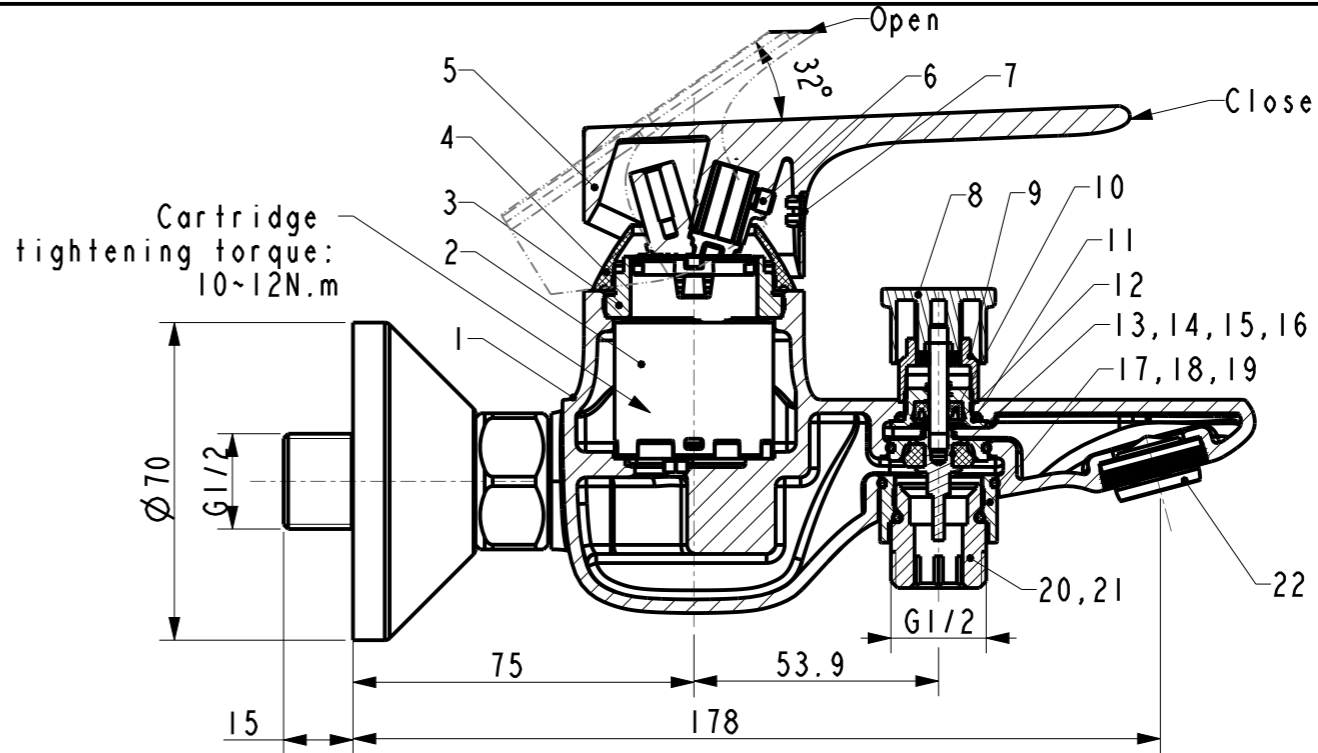
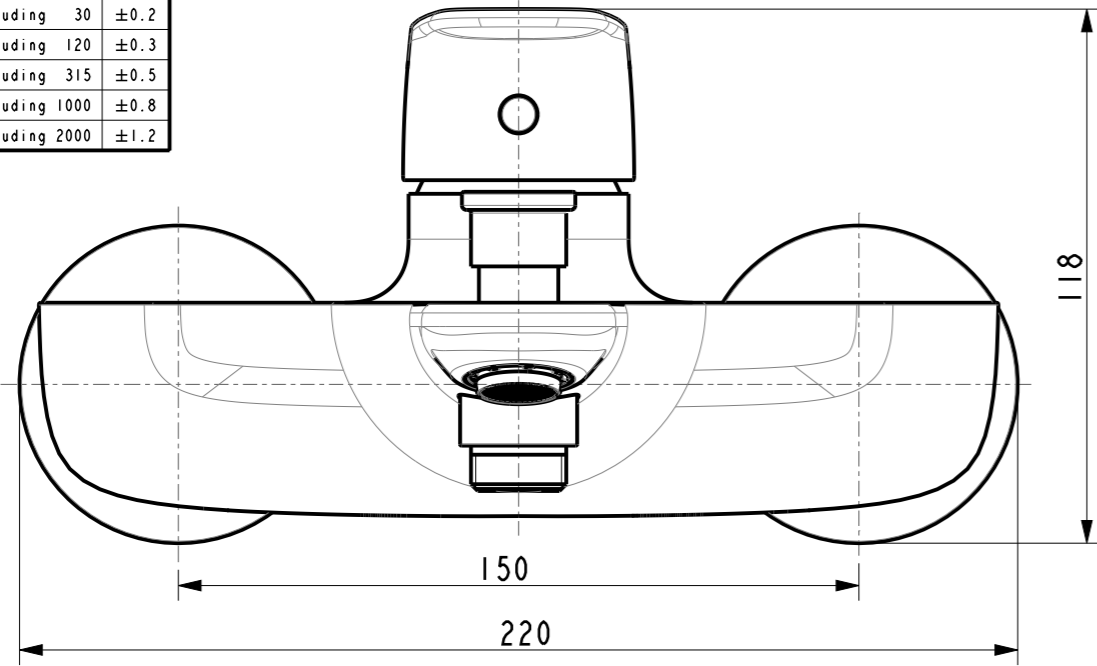


2024年7月26日
A/O

Tolerance, Unless Otherwise Stated, Is			
Above 0.5 to and including 6	6	±0.1	
Excess 6 to and including 30	30	±0.2	
Excess 30 to and including 120	120	±0.3	
Excess 120 to and including 315	315	±0.5	
Excess 315 to and including 1000	1000	±0.8	
Excess 1000 to and including 2000	2000	±1.2	



技术要求:

1. 移印美标商标图案 位置如图所示。字长18mm, 颜色pantone冷灰色IIC
2. 颜色零件符合《W110.0575_PVD外观检验标准》
3. 移印符合《W110.4810_移印检验标准》
4. 产品功能符合W110.0504、W110.0507和GB18145.

28	FF1-CN521FA0000094	2000孔盖-星河灰	2	ABS	PVD
27	FF1-CN521J00000242	1581927250\小S形接管 1/2*3/4 镀铬	2	SUS304	
26	FF1-CN521G00000341	158A913204\平垫片Φ24*Φ15*2 (A913204)	2	NBR	
25	FF1-CN521NA0000291	1590488250\六角螺母-G3/4inch. 镀铬-星河灰	2	HPb59-1	PVD
24	FF1-CN521G00000112	1581212699\O型圈 15.6*1.78	1	NBR	
23	FF1-CN521W00000048	1590463399\密封口, 完成品	2	SUS304	
22	FF1-CN521SLB0000050	1585007050\M24X1 SLIM Air 起泡器(全流)	1	Part	
21	FF1-CN521G00000152	1581219799\O型环 16*2 (612145)	1	NBR	
20	FF1-CN521JA00000517	阿卡西亚挂墙式浴缸水嘴转换接头-星河灰	1	HPb59-1	PVD
19	FF1-CN521G00000256	158A912643\O环 18.77*1.78	1	NBR	
18	FF1-CN521G00000112	1581212699\O型圈 15.6*1.78	1	NBR	
17	FF1-CN521J0015640B	1711切换阀座-星河灰	1	HPb59-1	PVD
16	FF1-CN521G00000338	158K618322\阿卡西亚切换定位垫片	1	POM	
15	FF1-CN521G00000347	1591176199\密封圈Φ15.8*5, 完成品	1	NBR	
14	FF1-CN521G00000112	1581212699\O型圈 15.6*1.78	1	HPb59-1	
13	FF1-CN521J0023320B	阿卡西亚切换阀座II型	1	SUS304	
12	FF1-CN521Z00000414	158K615325\弹簧	1	SUS304	
11	FF1-CN521G00000270	158A912692\O型环 14.00*1.78 (A912692)	1	NBR	
10	FF1-CN521G00000325	158K611058\U形包装(12*4.5*3.9) (k611058)	1	NBR	
9	FF1-CN521J0015740B	1711切换阀接头-星河灰	1	HPb59-1	PVD
8	FF1-CN521L0006640X	1711切换阀拉手-星河灰	1	ZZnAl4-1	PVD
7	FF1-CN521Z000049A0	把手孔盖-星河灰	1	ABS	PVD
6	FF1-CN521N00001099	内六角凹面端紧定螺丝M5X6 (机加工)	1	SUS304	
5	FF1-CN521L0006540X	1711挂墙式浴缸龙头把手-星河灰	1	ZZnAl4-1	PVD
4	FF1-CN521F0007440P	35mm阀芯顶盖-星河灰	1	ABS	PVD
3	FF1-CN521N0005599B	35mm阀芯锁紧螺母	1	HPb59-1	
2	FF1-CN521C0002499P	G35平脚阀芯 (408556840)	1	Part	
1	FFZZ0021-00235A0PL	1711挂墙式浴缸龙头本体-星河灰	1	GkIs60Fk	PVD
序号	料号	中文描述	数量	材料	备注

DESIGNED	利华斌	20240725	TITLE	Signature Exposed Bath & Shower Mixer.A00
CHECKED	张	2024.07.25	REF	
APPROVED	李	2024.7.25.	纤格挂墙式浴缸龙头(不带花洒组件)_星河灰	
SCALE	MATERIAL	WEIGHT	DWG NO.	American Standard
3:5	Assembly		FFAS1711-609A00BF0	

REV	DESCRIPTION	DATE	NAME