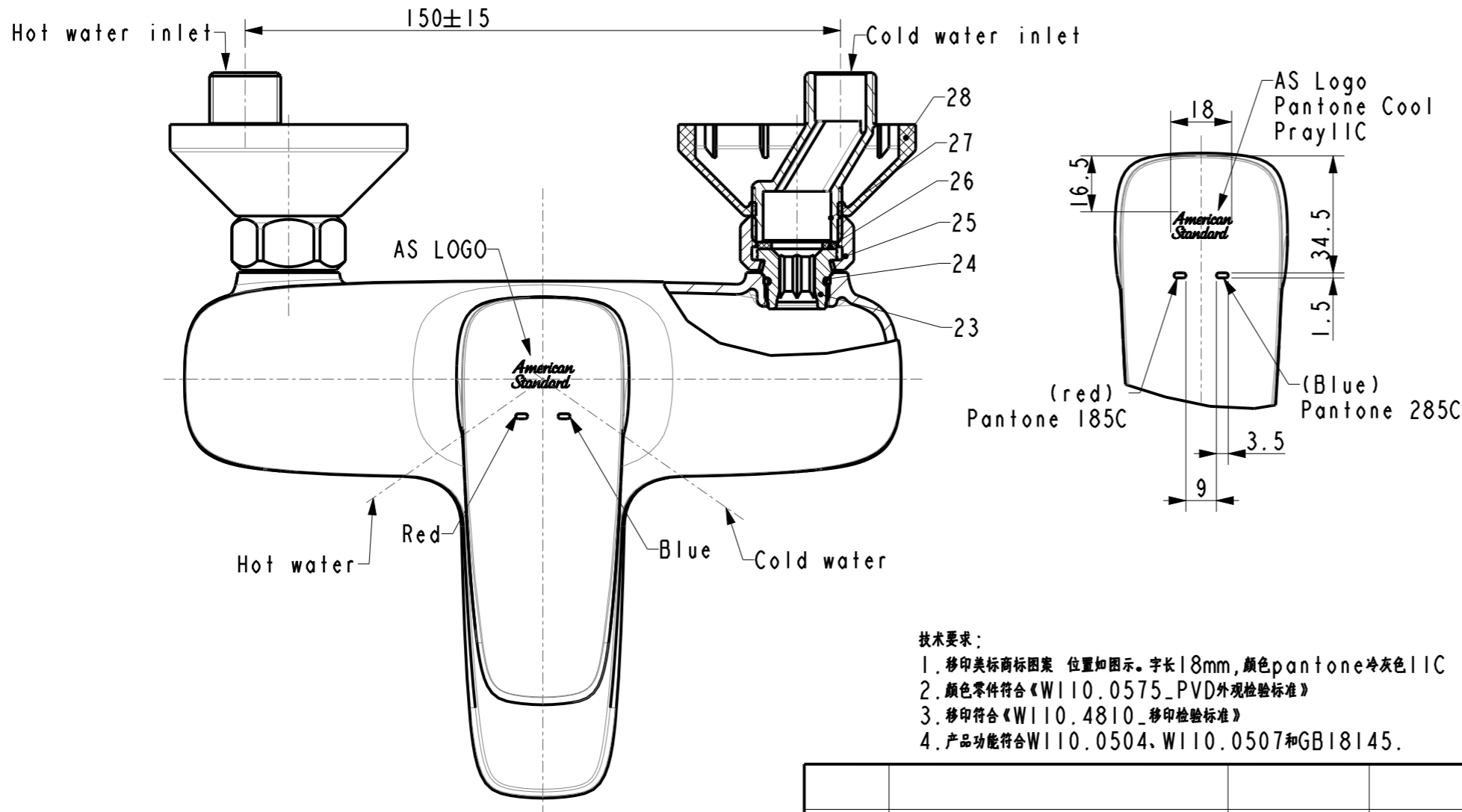
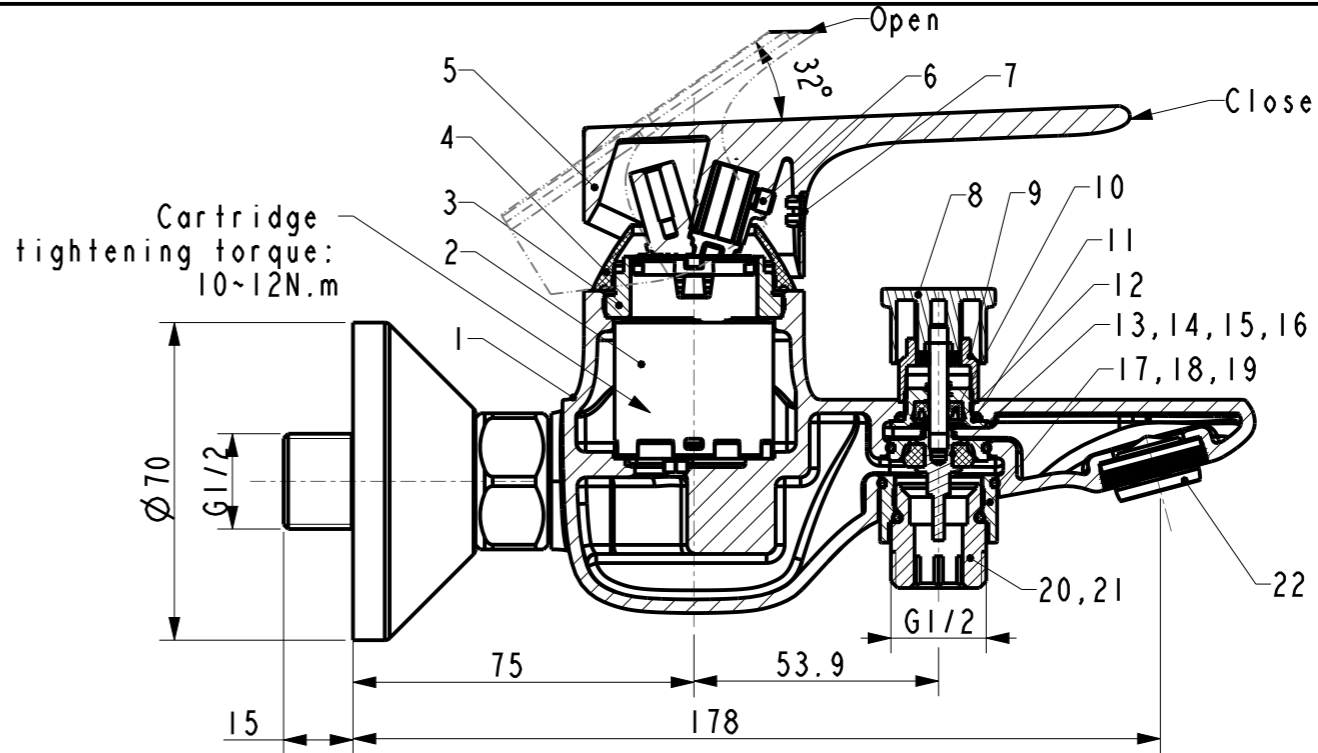
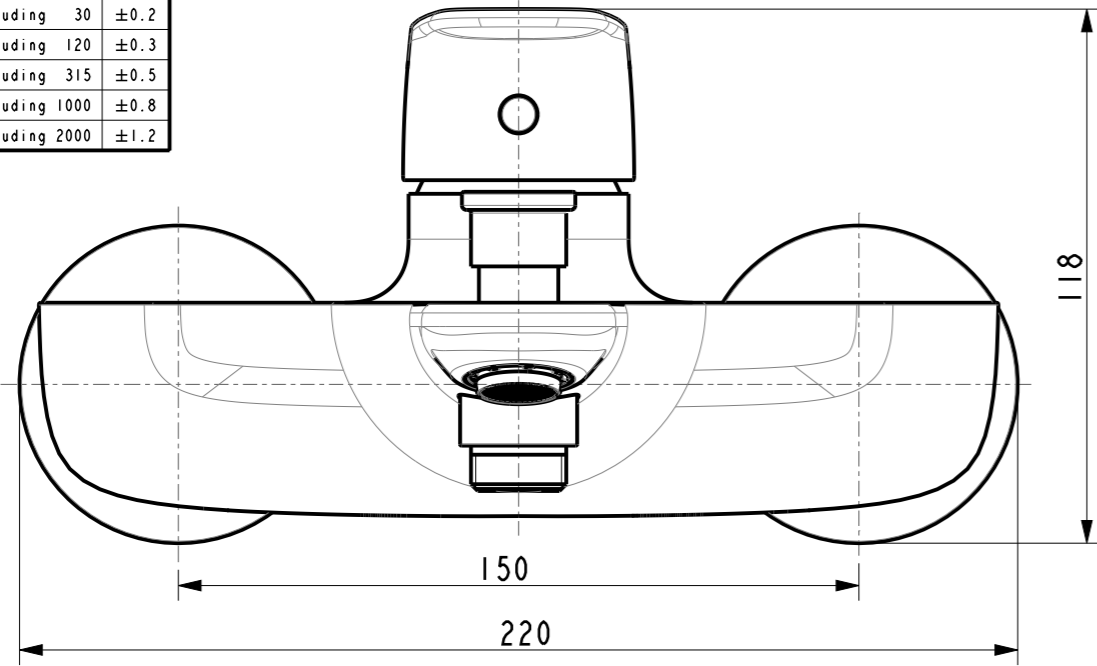


2024年7月26日
A/O

Tolerance, Unless Otherwise Stated, Is			
Above 0.5 to and including 6	±0.1	6	±0.1
Excess 6 to and including 30	±0.2	30	±0.2
Excess 30 to and including 120	±0.3	120	±0.3
Excess 120 to and including 315	±0.5	315	±0.5
Excess 315 to and including 1000	±0.8	1000	±0.8
Excess 1000 to and including 2000	±1.2	2000	±1.2



- 技术要求:
1. 移印美标商标图案 位置如图所示。字长18mm, 颜色pantone冷灰色11C
 2. 颜色零件符合《W110.0575_PVD外观检验标准》
 3. 移印符合《W110.4810_移印检验标准》
 4. 产品功能符合W110.0504、W110.0507和GB18145.

序号	料号	中文描述	数量	材料	备注
28	FF1-CN521FDA000094	1580800550\2000孔罩, 镀铬-温暖金	2	ABS	PVD
27	FF1-CN521J00000242	1581927250\小S形接管 1/2*3/4 镀铬	2	SUS304	
26	FF1-CN521G00000341	158A913204\平垫片Φ24*Φ15*2 (A913204)	2	NBR	
25	FF1-CN521NDA000291	1590488250\六角螺母-G3/4inch, 镀铬-温暖金	2	HPb59-1	PVD
24	FF1-CN521G00000112	1581212699\O型圈 15.6*1.78	1	NBR	
23	FF1-CN521W00000048	1590463399\密封口, 完成品	2	SUS304	
22	FF1-CN521SLB0000050	1585007050\M24X1 SLIM Air 起泡器(全流)	1	Part	
21	FF1-CN521G00000152	1581219799\O型环 16*2 (612145)	1	NBR	
20	FF1-CN521JDA0000517	阿卡西亚挂墙式浴缸水嘴转换接头-温暖金	1	HPb59-1	PVD
19	FF1-CN521G00000256	158A912643\O环 18.77*1.78	1	NBR	
18	FF1-CN521G00000112	1581212699\O型圈 15.6*1.78	1	NBR	
17	FF1-CN521J00156DAB	1711切换阀座-温暖金	1	HPb59-1	PVD
16	FF1-CN521G00000338	158K618322\阿卡西亚切换定位垫片	1	POM	
15	FF1-CN521G00000347	1591176199\密封圈Φ15.8*5, 完成品	1	NBR	
14	FF1-CN521G00000112	1581212699\O型圈 15.6*1.78	1	HPb59-1	
13	FF1-CN521J0023320B	阿卡西亚切换阀座II型	1	SUS304	
12	FF1-CN521Z00000414	158K615325\弹簧	1	SUS304	
11	FF1-CN521G00000270	158A912692\O型环 14.00*1.78 (A912692)	1	NBR	
10	FF1-CN521G00000325	158K611058\U形包装(12*4.5*3.9) (k611058)	1	NBR	
9	FF1-CN521J00157DAB	1711切换阀接头-温暖金	1	HPb59-1	PVD
8	FF1-CN521L00066DAX	1711切换阀拉手-温暖金	1	ZZnAl4-1	PVD
7	FF1-CN521Z000049DA	1580970150\把手孔套(镀铬)-温暖金	1	ABS	PVD
6	FF1-CN521N00001099	内六角凹面端紧定螺丝M5X6 (机加工)	1	SUS304	
5	FF1-CN521L00065DAX	1711挂墙式浴缸龙头把手-温暖金	1	ZZnAl4-1	PVD
4	FF1-CN521F00074DAP	35mm阀芯顶盖-温暖金	1	ABS	PVD
3	FF1-CN521N0005599B	35mm阀芯锁紧螺母	1	HPb59-1	
2	FF1-CN521C0002499P	G35平脚阀芯 (408556840)	1	Part	
1	FFZZ0021-00235DAPL	1711挂墙式浴缸龙头本体-温暖金	1	GkIs60Fk	PVD

DESIGNED	CHECKED	APPROVED	SCALE	MATERIAL	WEIGHT	DWG NO.
利华波	张华	张华	3:5	Assembly		FFAS1711-609DA0BF0
TITLE						纤格挂墙式浴缸龙头(不带花洒组件)_温暖金
Signature Exposed Bath & Shower Mixer.DA0						
REF						American Standard
2024.07.25						
2024.7.25.						

REV	DESCRIPTION	DATE	NAME