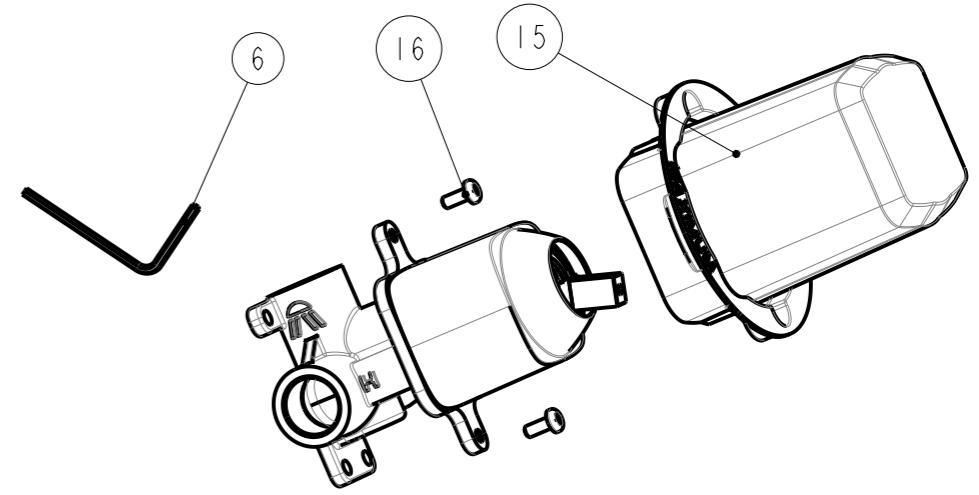
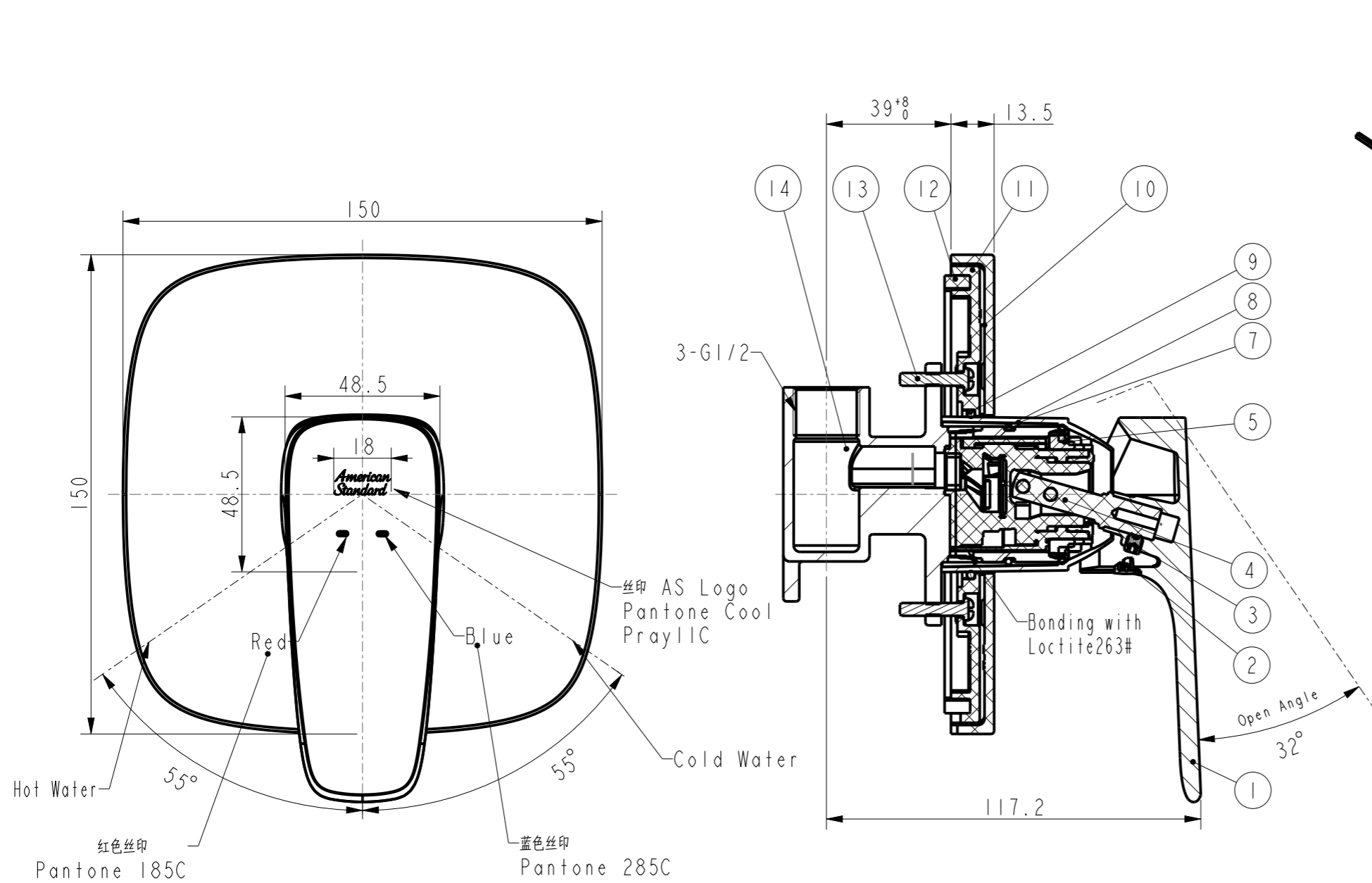


Tolerance, Unless Otherwise Stated, Is			
Above 0.5 to and including 6	6		±0.1
Excess 6 to and including 30	30		±0.2
Excess 30 to and including 120	120		±0.3
Excess 120 to and including 315	315		±0.5
Excess 315 to and including 1000	1000		±0.8
Excess 1000 to and including 2000	2000		±1.2



No.	Part No.	Part Name	QTY	Material	Finish
16	FF1-CN521N00000194	15818609F4\2002 保护套螺钉	2	SUS304	
15	FF1-CN521Z00000212	1582240799\入墙淋浴保护套(47#)	1	PA	
14	FFZZ0021-0027699MC	1722入墙式淋浴龙头本体 (AA, 加工件)	1	Brass	
13	FF1-CN521N00000268	158K618253\螺钉(M4X20)	2	SUS304	
12	FF1-CN521K0000034	新典入墙面板胶带(海绵垫)4*8*570mm	1	E.V.A	
11	FF1-CN521F0007099P	1722入墙淋浴龙头固定板	1	ABS	
10	FF1-CN521G00000291	158A912789\O环(7X2)(Water Mark)	4	NBR	
	FF1-CN521J00000214	158180199U\入墙面板通用固定螺钉	4	HPb59-1	
	FF1-CN521F00072DAP	1722入墙淋浴龙头面板-温暖金	1	ABS	PVD
9	FF1-CN521G0004699R	1721阀芯铜套密封圈	1	NBR	
8	FF1-CN521G00000143	1581218599\O型圈 29.82*2.62	1	NBR	
7	FF1-CN521F00087DAP	1721入墙阀芯顶盖-温暖金	1	ABS	PVD
6	FF1-CN521Z00000254	1582361599\H01入墙式混水阀内六角板手	1	Q235-A	
5	FF1-CN521N0007399B	1721阀芯锁紧螺母	1	HPb59-1	
4	FF1-CN521C0002499P	G35平脚阀芯 (408556840)	1	Assembly	
3	FF1-CN521N00001099	内六角凹面端紧定螺丝M5X6(机加工)	1	SUS304	
2	FF1-CN521Z000049DA	把手孔塞-温暖金	1	ABS	PVD
1	FF1-CN521L00065DAX	1711挂墙式浴缸龙头把手-温暖金	1	ZZnAl4-1	PVD
No.	Part No.	Part Name	QTY	Material	Finish

DESIGNED	利华决	20240725	TITLE	Signature Concealed Shower Only Mixing Valve_DAO
CHECKED	张	2024.07.25	REF	
APPROVED	张	2024.7.25		纤格入墙式淋浴龙头控制阀_温暖金
SCALE	MATERIAL	WEIGHT	DWG NO.	FFAS1722-709DA0BF0
3:5	Assembly			

技术要求:
 1. 移印美标商标图案 位置如图所示。字长18mm, 颜色pantone冷灰色11C
 2. 颜色零件符合《W110.0575_PVD外观检验标准》
 3. 移印符合《W110.4810_移印检验标准》
 4. 产品功能符合W110.0504、W110.0507和GB18145

REV	DESCRIPTION	DATE	NAME

American Standard