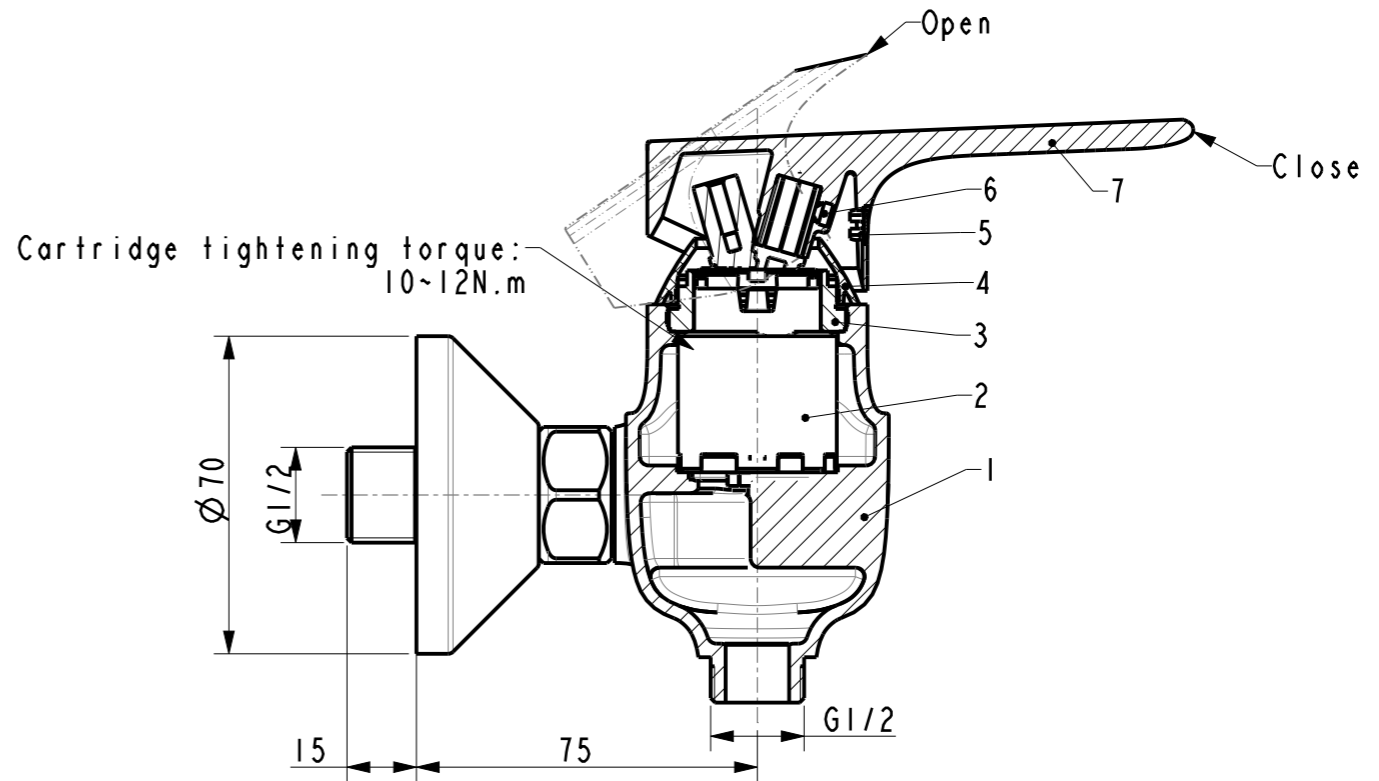
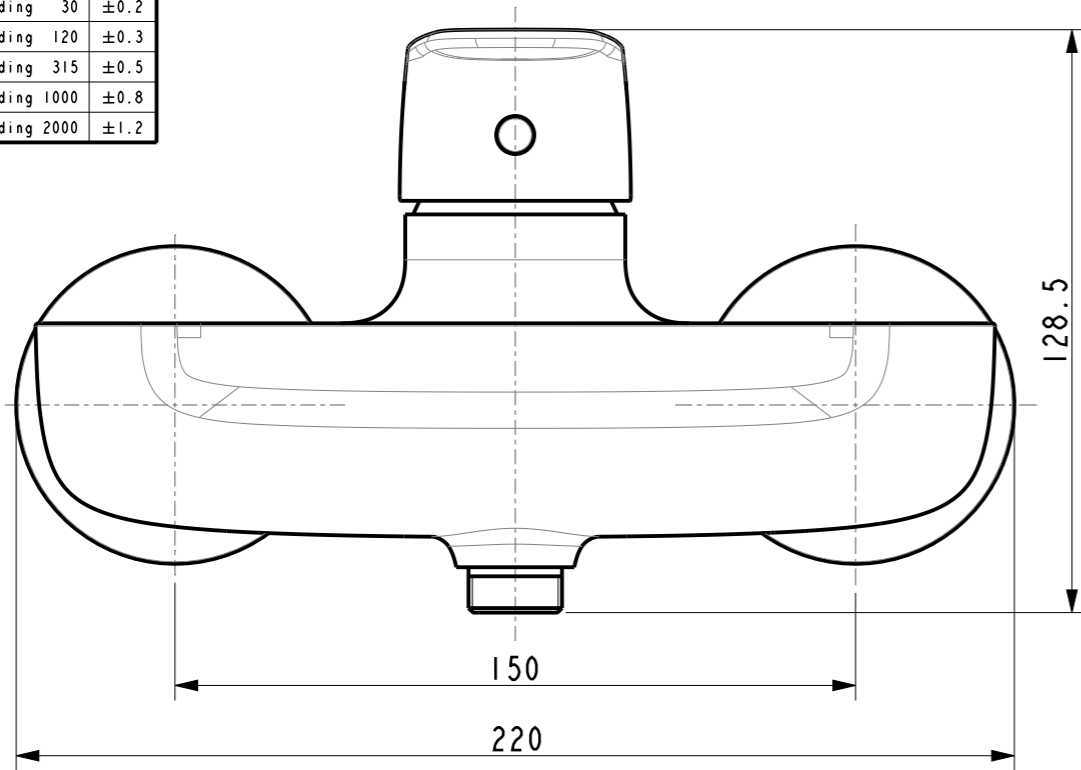
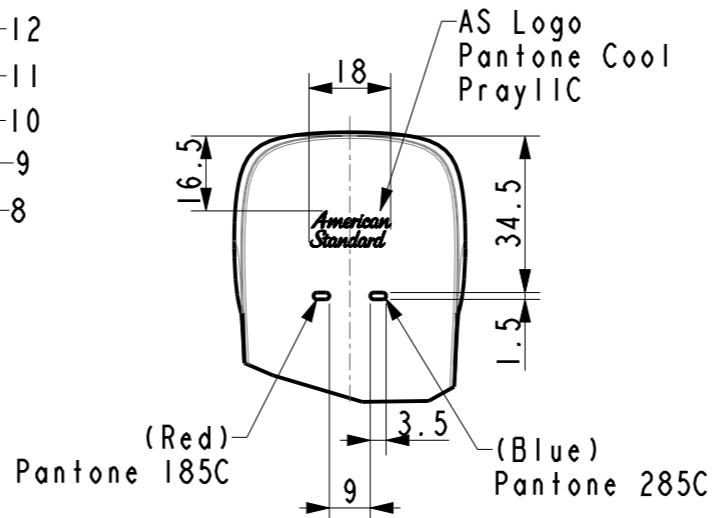
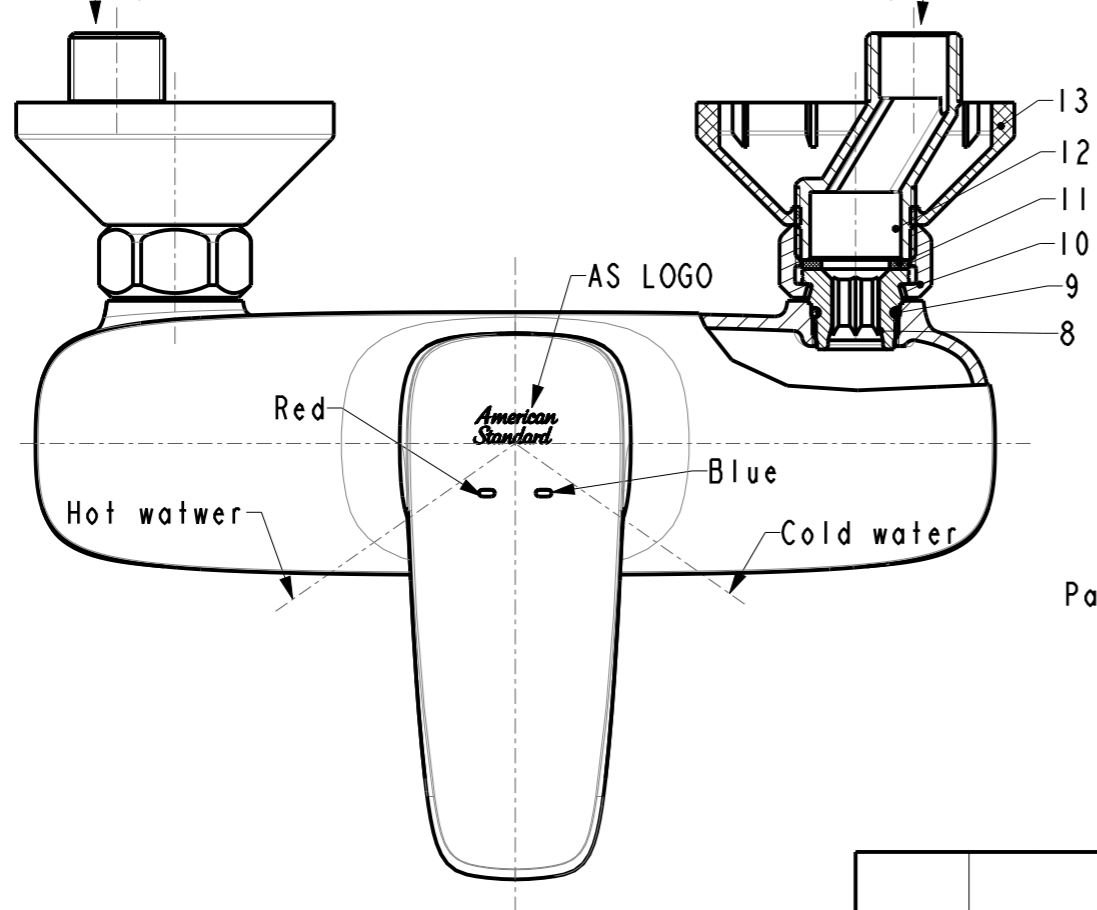


2024年7月26日  
A/O

Tolerance, Unless Otherwise Stated, Is			
Above 0.5 to and including 6	6	±0.1	
Excess 6 to and including 30	30	±0.2	
Excess 30 to and including 120	120	±0.3	
Excess 120 to and including 315	315	±0.5	
Excess 315 to and including 1000	1000	±0.8	
Excess 1000 to and including 2000	2000	±1.2	



Hot water inlet 150±15 Cold water inlet



技术要求:

1. 移印美标商标图案 位置如图示. 字长18mm, 颜色pantone冷灰色LIC
2. 颜色零件符合《W110.0575\_PVD外观检验标准》
3. 移印符合《W110.4810\_移印检验标准》
4. 产品功能符合W110.0504、W110.0507和GB18145.

No.	Code	Name and description	Qty	Material	Remark
13	FF1-CN521FGL000094	1580800550\2000孔盖, 镀铬-喜悦金	2	ABS	PVD
12	FF1-CN521J00000242	1581927250\小S形接管 1/2*3/4 镀铬	2	SUS304	
11	FF1-CN521G00000341	158A913204\平垫片 24*15*2(A913204)	2	NBR	
10	FF1-CN521NGL000291	1590488250\六角螺母-G3/4inch, 镀铬-喜悦金	2	HPb59-1	PVD
9	FF1-CN521G00000112	1581212699\O型圈 15.6*1.78	2	NBR	
8	FF1-CN521W00000048	1590463399\密封口, 完成品	2	SUS304	
7	FF1-CN521L00065GLX	1711挂墙式浴缸龙头把手-喜悦金	1	ZZnA14-1	PVD
6	FF1-CN521N00001099	内六角凹面端紧定螺丝M5X6(机加工)	1	SUS304	
5	FF1-CN521ZGL004950	把手孔塞_镜面金	1	ABS	PVD
4	FF1-CN521F00074GLP	35mm阀芯顶盖-喜悦金	1	ABS	PVD
3	FF1-CN521N0005599B	35mm阀芯锁紧螺母	1	HPb59-1	
2	FF1-CN521C0002499P	G35平脚阀芯(408556840)	1	Part	
1	FFZZ0021-00236GLPL	1712挂墙式淋浴龙头本体-喜悦金	1	GkMs60Fk	PVD

DESIGNED	利华斌	20240725	TITLE	Signature Exposed Shower Mixer-GL0
CHECKED	<i>[Signature]</i>	2024.07.25	REF	
APPROVED	<i>[Signature]</i>	2024.7.25.	纤格挂墙式淋浴龙头(不带花洒组件)_喜悦金	
SCALE	MATERIAL	WEIGHT	DWG NO.	FFAS1712-709GL0BF0
3:5	Assembly			

REV	DESCRIPTION	DATE	NAME

**American Standard**