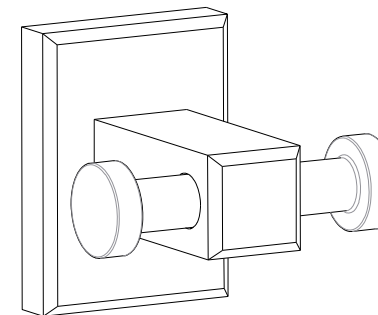
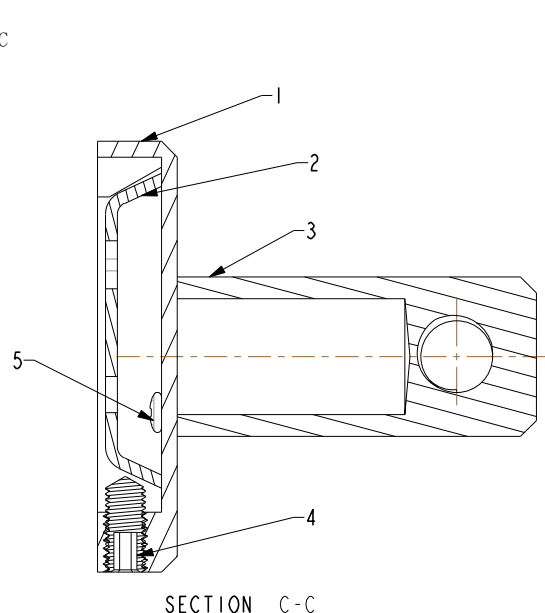
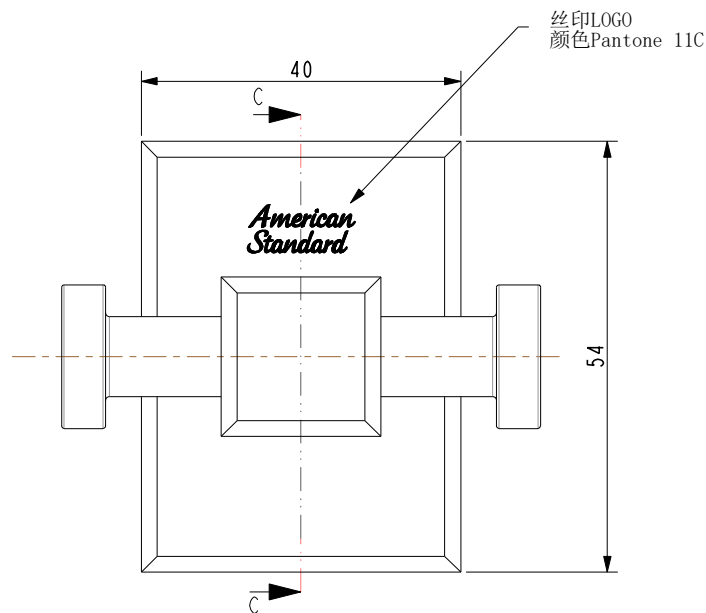
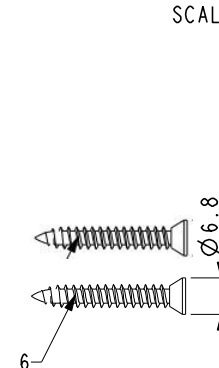


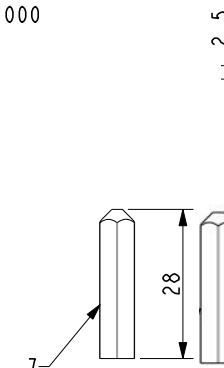
Tolerance, Unless Otherwise Stated, Is			
Above 0.5 to and including 6	±0.1		
Excess 6 to and including 30	±0.2		
Excess 30 to and including 120	±0.3		
Excess 120 to and including 315	±0.5		
Excess 315 to and including 1000	±0.8		
Excess 1000 to and including 2000	±1.2		



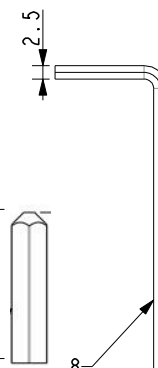
SCALE 1.000



SCALE 1.000



SCALE 1.000



SCALE 1.000

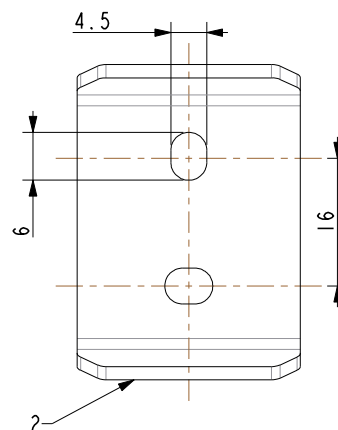
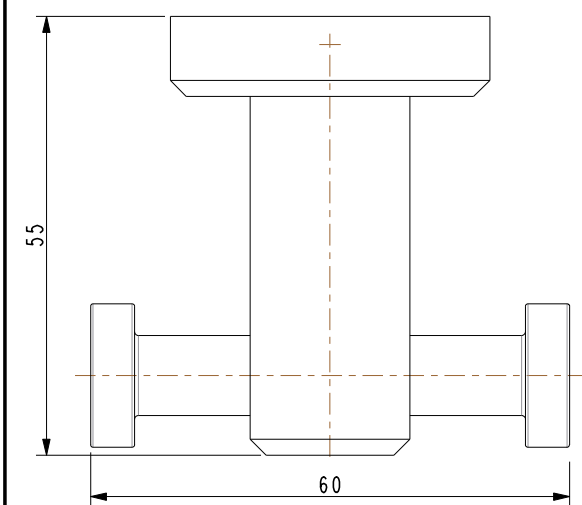
技术要求:

- 按《WI10.3204》浴室配件进货检验标准检验;
- 所有尺寸为一般尺寸。

序号	组件号	对象描述	材质	数量	备注
1	FF1-CN521J00317A0X	0481底座 星河灰	ZZnA14-1	1	
3	FF1-CN521B00050A0X	0481支杆 星河灰	ZZnA14-1	1	
	FF1-CN521Z00235A0X	0481挂钩 星河灰	ZZnA14-1	2	
2					
5	FF1-CN521Z0023699S	0481余下配件	组件	1	
6					
7					
8					

DESIGNED	利华波	2023.12.19	TITLE
CHECKED	李华	2023.12.19	REF
APPROVED	李华	2023.12.19	概念方衣挂钩_星河灰
SCALE	MATERIAL	WEIGHT	DWG NO.
1:500	Assembly		FFAS0481-908A00BFO

American Standard



REV	DESCRIPTION	DATE	NAME