

2020年6月19日  
A/1

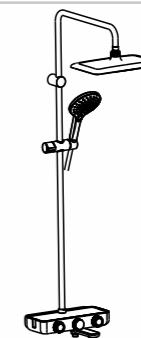


**Attention:**  
Please leave manual with customer post installation.

**安装者注意:**  
安装完成后, 请将此说明书留给用户。

FFAS4956-601500BC0

EasySET Exposed Auto Temperature Shower System (3-way)  
易舒喜挂墙式自动恒温淋浴柱 (三出水)



American Standard

Installation &  
Operation Instructions  
安装/使用说明书

Thank you for selecting American Standard the benchmark of fine quality for over 100 years. To ensure that your installation proceeds smoothly, please read these instructions carefully before you begin.

\* American Standard continually improves our product design and performance and reserves the right to modify the dimension and specification of our products accordingly without any prior notification.

\* Actual dimensions and specifications may vary, refer to physical product for exact dimensions and specification.

感谢您选购美标洁具 - 拥有百年优质水准的产品, 为保证安装顺利, 请在进行安装前细阅以下指南

\* 美标公司一贯奉行不断提高和改善其产品设计与性能的政策, 并保留对其产品规格更改的权力, 届时, 恕不另行通知。

\* 本指南仅供安装和使用作参考, 产品以实物为准。

### Pre-Installation Checks 安装前注意事项

\* Remove impurities from pipes before installation to avoid clogging. Connect faucet pipes correctly. Ensure that the cold water hose is connected to the right side and the hot water hose to the left. Check installation distances from the dimension diagram to ensure correct installation.

#### Conditions for use

1. Recommended water pressure condition: 0.1-0.5MPa (For optimal performance and product longevity, we recommend adding a pressure reducing valve when water pressure exceeds 0.5MPa. Difference in pressure between hot and cold water should not exceed 0.2MPa)

2. Water Temperature: Cold Water 4°C ~ 29°C; Hot Water 45°C ~ 85°C (Recommended Hot Water Temperature 50°C ~ 75°C).

3. Ambient Temperature: 1-55°C

4. Note: Ensure water source is clean. Poor water quality can cause cartridge and internal components to clog, resulting in poor temperature sensitivity and/or product failure.

#### Attention

Please ensure that the hot water supply source is stable. Electric water storage heaters are ideal for use with EasySET Exposed Auto Temperature Shower System (3-way) for optimal performance. Common issues that may arise when hot water is supplied by gas and/or solar water heaters are as follows:

#### Common gas heater issue(s)

1. Every water heater has a minimum operational starting pressure (flow). When the lowest flow is selected with the mixer, the minimum operational starting pressure of the gas water heater may not be achieved and therefore, the gas heater will not function. When the residual hot water in the pipeline is discharged, the gas heater starts up, reheating the water. This repeated cycle results in an unstable hot water supply and inconsistent temperature delivery.

#### Solution:

1a. Set the water temperature of the water heater to 5°C higher than the thermostatic faucet (adjust with multiple manual knob, set the temperature knob in the lower position, and then use the knob to adjust the temperature of fire) the demand of hot water becomes larger in order to achieve the starting flow of the water heater. Recommended value: Summer: 45-50°C; winter 50-55°C.

1b. Set the water thermostatic faucet to full flow (half open water switch need to press the switch to rotate) you can also remove the limiting plug in the shower so that the water can become large to achieve the start flow of water heater.

#### Common solar heater issue(s)

2. As the solar water heater is not pressurized, hot water flows from to the mixer as a result of gravity. When the pressure from the cold water supply exceeds that of the hot water supply by 0.2MPa, hot water supply into the mixer is disrupted, resulting in inconsistent temperature delivery.

#### Solution:

2a. Add a pressure booster pump to the solar water heater so that the pressure of cold and hot water can be balanced. Push and save the pressurized water pressure: 0.3MPa.

2b. To add a pressure reducing valve on the cold water supply will also make the cold and hot water supply pressure balanced. When the water supply pressure exceeds 0.5MPa, the pressure relief valve is required.

Recommended water pressure: 0.1-0.5MPa, hot and cold water pressure difference: less than 0.2MPa

\* 安装龙头之前, 请务必清理管中杂物, 以免造成堵塞; 龙头与冷、热水水管必须连接正确; 参考尺寸图, 检查安装尺寸, 确保安装正确。

#### 使用条件:

1. 水压 (动态): 0.1MPa~0.5MPa (超过0.5MPa时, 需要加装减压阀, 同时冷热水压力差不超过0.2MPa)。

2. 使用温度: 冷水温度4°C~29°C; 热水温度45°C~85°C (建议正常使用温度为50°C~75°C)。

3. 环境温度1°C~55°C。

4. 使用水质应符合国家市政供水要求, 如果水质太差, 容易堵塞阀芯, 造成调温灵敏度差, 如果堵塞单向阀, 会造成冷热水管路互串。

#### 注意事项:

\* 恒温龙头需匹配合适的热水源, 对热水源的选择, 尽量选用稳定的热水供应源, 家庭使用的热水源推荐首选储热式电热水器; 如选用燃气式或太阳能热水器时, 可能会出现下面的情况, 请谨慎选择。

1. 燃气式热水器供水, 每种热水器都有一个最低启动压力 (流量), 当我们开启恒温水嘴流量较小时, 需要的水流量达不到热水器的最低启动流量时, 热水器就会保护熄火。当管路中的热水排完后, 热水器又会重新启动, 反复循环, 这时热水供给就不稳定, 从而导致恒温龙头出水忽冷忽热。

#### 解决方法:

1a. 调低热水器的出水温度, 比恒温龙头设定恒温高出5°C即可, (用多个手动旋钮调节的, 将温度旋钮尽量设在偏低位置, 再使用火力旋钮调节温度)使热水的用量需求变大, 以达到热水器的启动流量。推荐值: 夏天: 45-50°C; 冬天50-55°C。

1b. 将恒温龙头的出水调到全流 (有半开节水开关的, 要按下节水开关转动), 有的配用的花洒内部有限流塞, 可将限流塞取出, 使出水量变大, 以达到热水器的启动流量。

2. 太阳能热水器供水, 太阳能供水时, 热水储水箱内没有压力, 热水是从储水箱内靠自重流向恒温龙头, 当冷水供水压力超过热水供水压力0.2Mpa, 就会向热水器逆向供水, 导致热水出不来, 这时恒温龙头出水就会出现忽冷忽热现象。

#### 解决方法:

2a. 给太阳能供水加一个增压泵, 使冷热水供水压力达到平衡。推荐增压后水压: 0.3MPa。

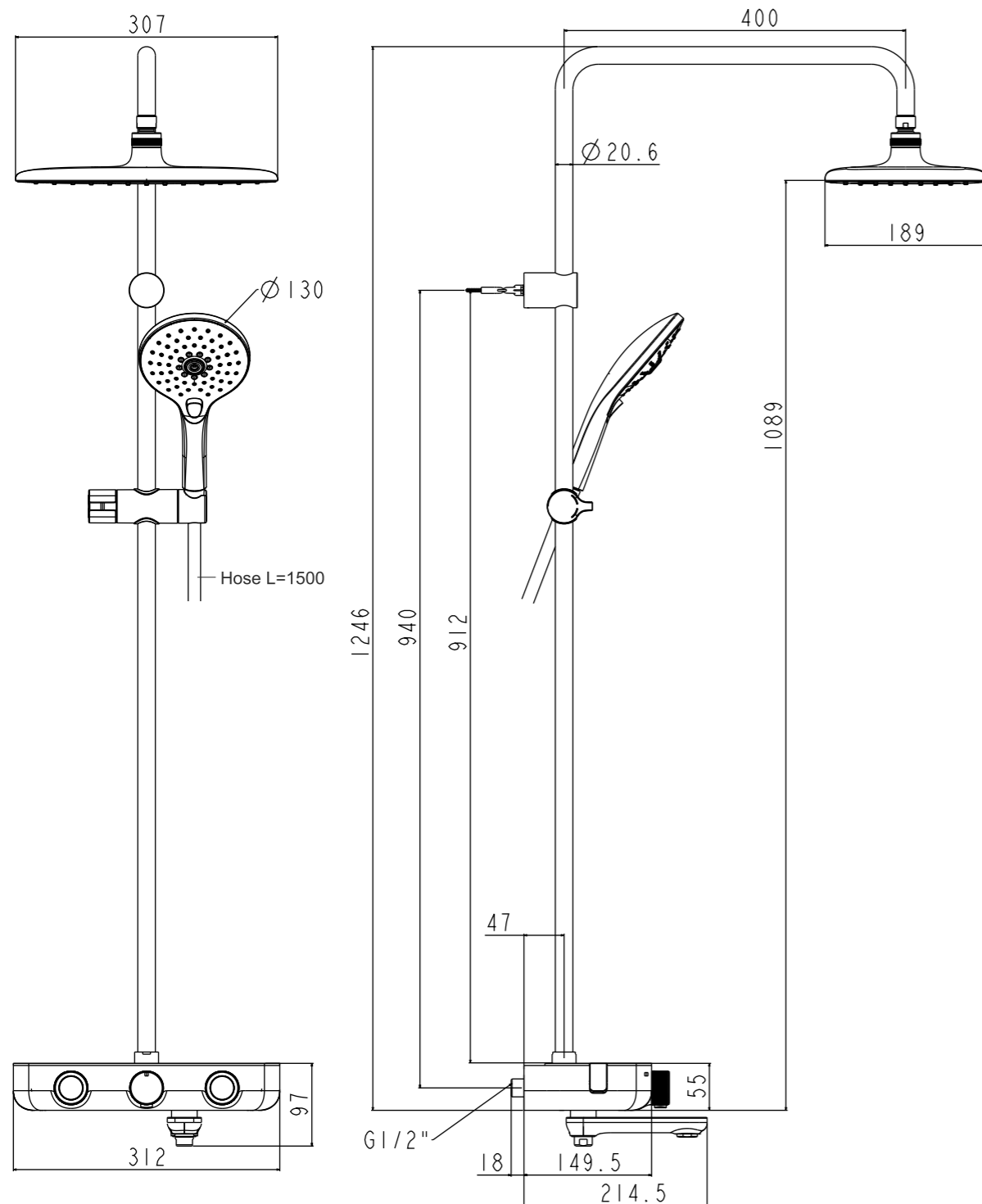
2b. 给冷水供水配减压阀, 同样目的使冷热水供水压力达到平衡。当供水压力超过0.5MPa需要配置减压阀。推荐供水水压: 0.1-0.5MPa, 冷热水压力差: ≤0.2MPa。

## Recommended Tools and Materials 推荐的工具和材料



## Dimension 基本尺寸

Unit: mm  
单位: 毫米



2020年6月19日

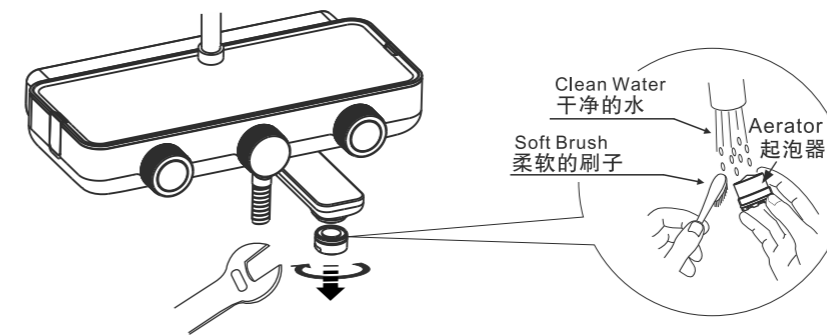
A/1

## Trouble Shooting Guide 一般故障排除指南

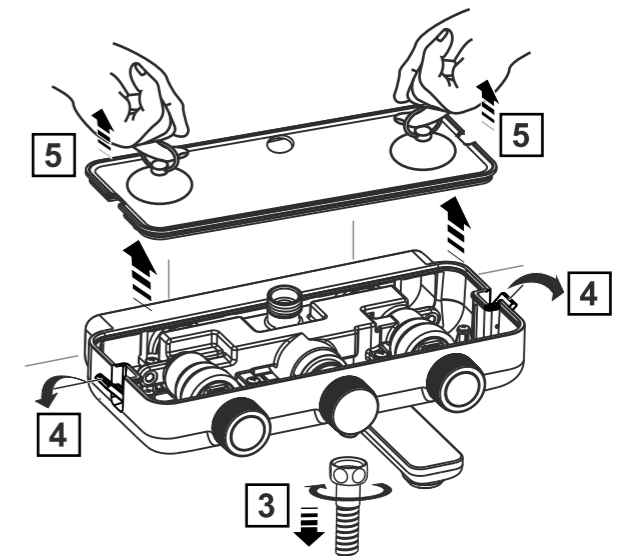
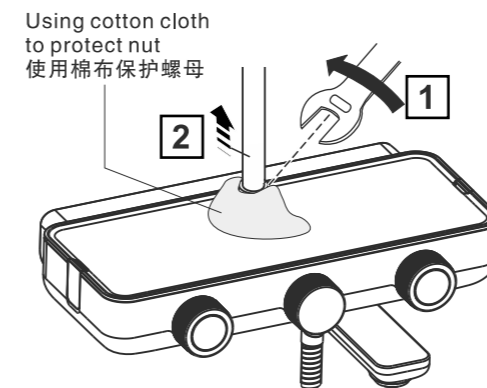
Issue 故障	Component 检查点	Checkpoint 内容	Corrective Action 处理办法
Poor flow rate 流量小	Shower 花洒	Check if hose/ shower column is clogged 检查入口处是否有杂质	Remove all impurities 清除杂质
	Water supply valve 供水阀	Check knob position 检查供水阀是否开得太小	Turn knob to maximise water volume 开大供水阀
Leakage 漏水	Cartridge 阀芯	Check if cartridge is loosened 检查阀芯是否被松开	Fasten or replace cartridge 紧固好阀芯
	Connection joints 各连接处	Check the connection 检查连接处是否未加垫片或垫片已损坏	Reassemble connecting part 重新安装
Abnormal Temperature 不正常水温	Water supply pipeline 供水管路	Check if hot and cold water supply has been connected correctly to the mixer 检查进水管是否连接正确	Connect the hot and cold water pipe correctly 正确连接冷热供水管

## Maintenance 维护

- \* Clogged aerator due to poor water quality can lead to reduced water flow. Follow steps below to clean aerator to ensure optimal performance.
- \* 起泡器可能积累污垢致损害或影响出水效果，此时应清洁或更换起泡器。



- \* Clogged cartridges due to poor water quality can affect product performance.
- \* Follow steps below to maintain optimal product performance.
- \* Note: please turn off water supply before maintenance process.
- \* 阀芯入口堵塞会导致冷、热水流量减少影响水流效果。
- \* 请按照以下步骤维护，使产品达到最佳性能。
- \* 注意：维护前，请先关闭供水。



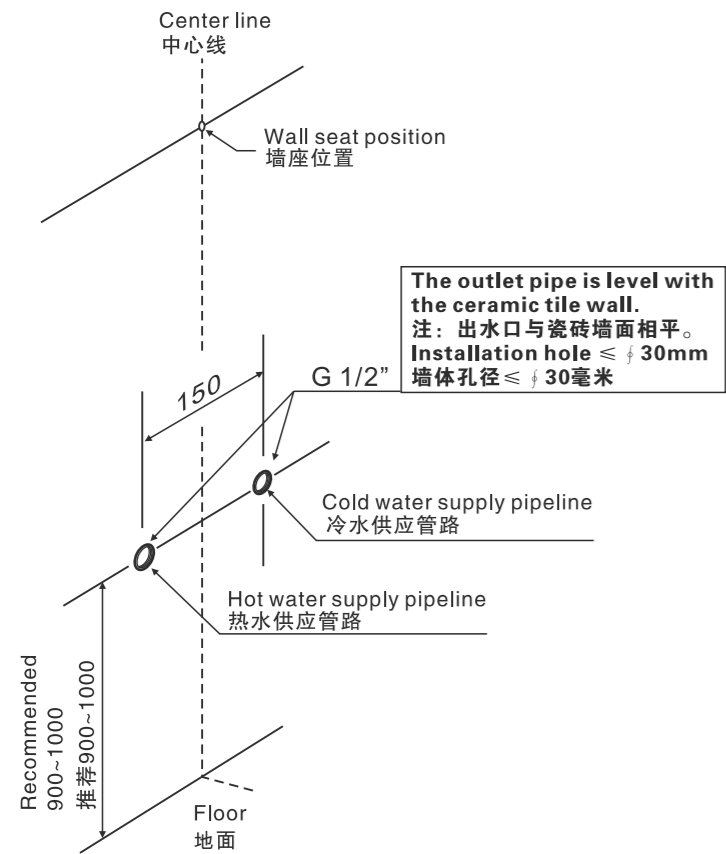






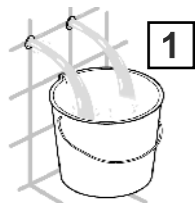
## Installation 安装部分

### 1 Preparation 安装前准备

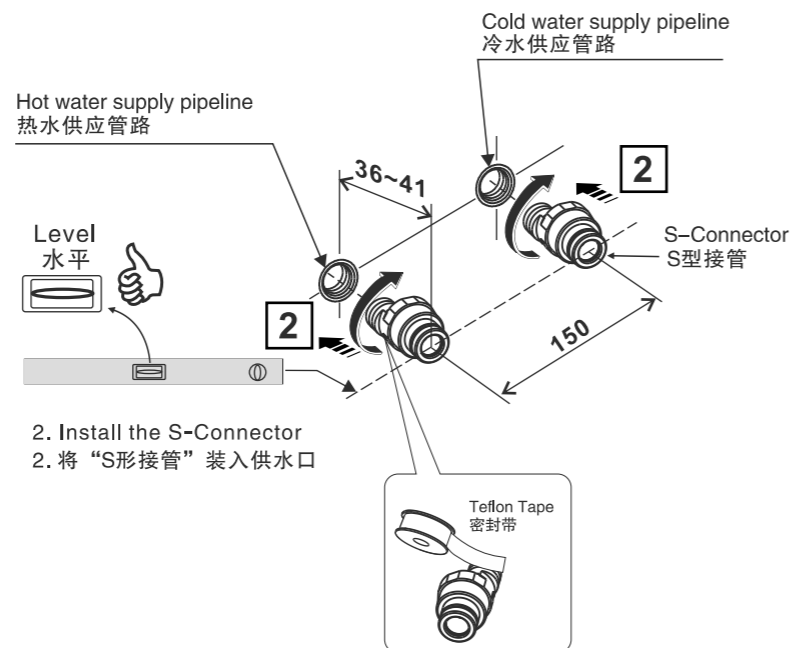


\* Lay cold & hot supply pipes based on dimension drawing.  
\* 参考尺寸图，铺设冷、热水管路。

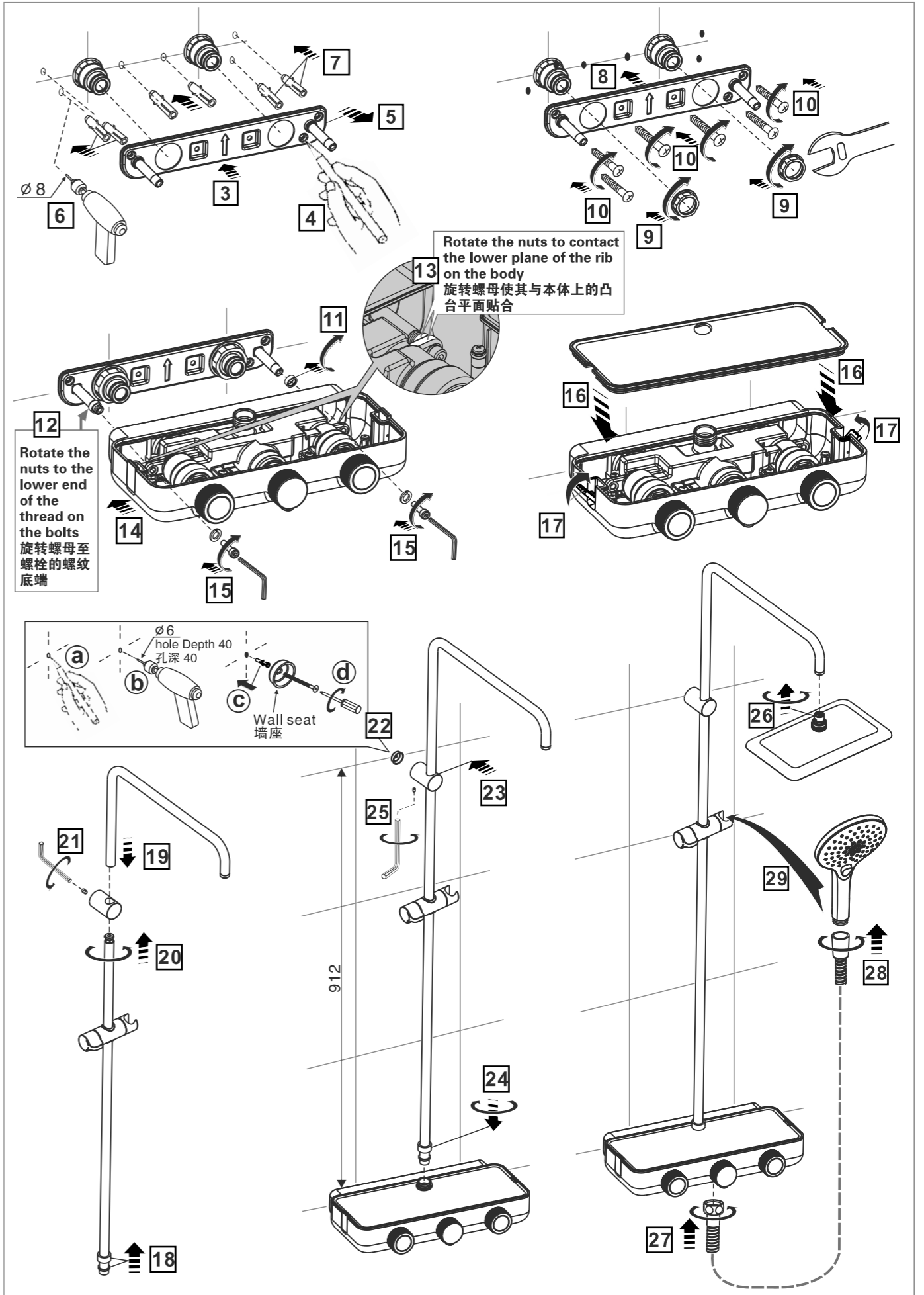
### 2 S-Connector Installation 安装S型接管



\* Before installation, the laying of pipeline is rinsed clean.  
\* 安装前，请将铺设的管路冲洗干净。



## 3 Product Installation 产品安装



2020年6月19日

A/1