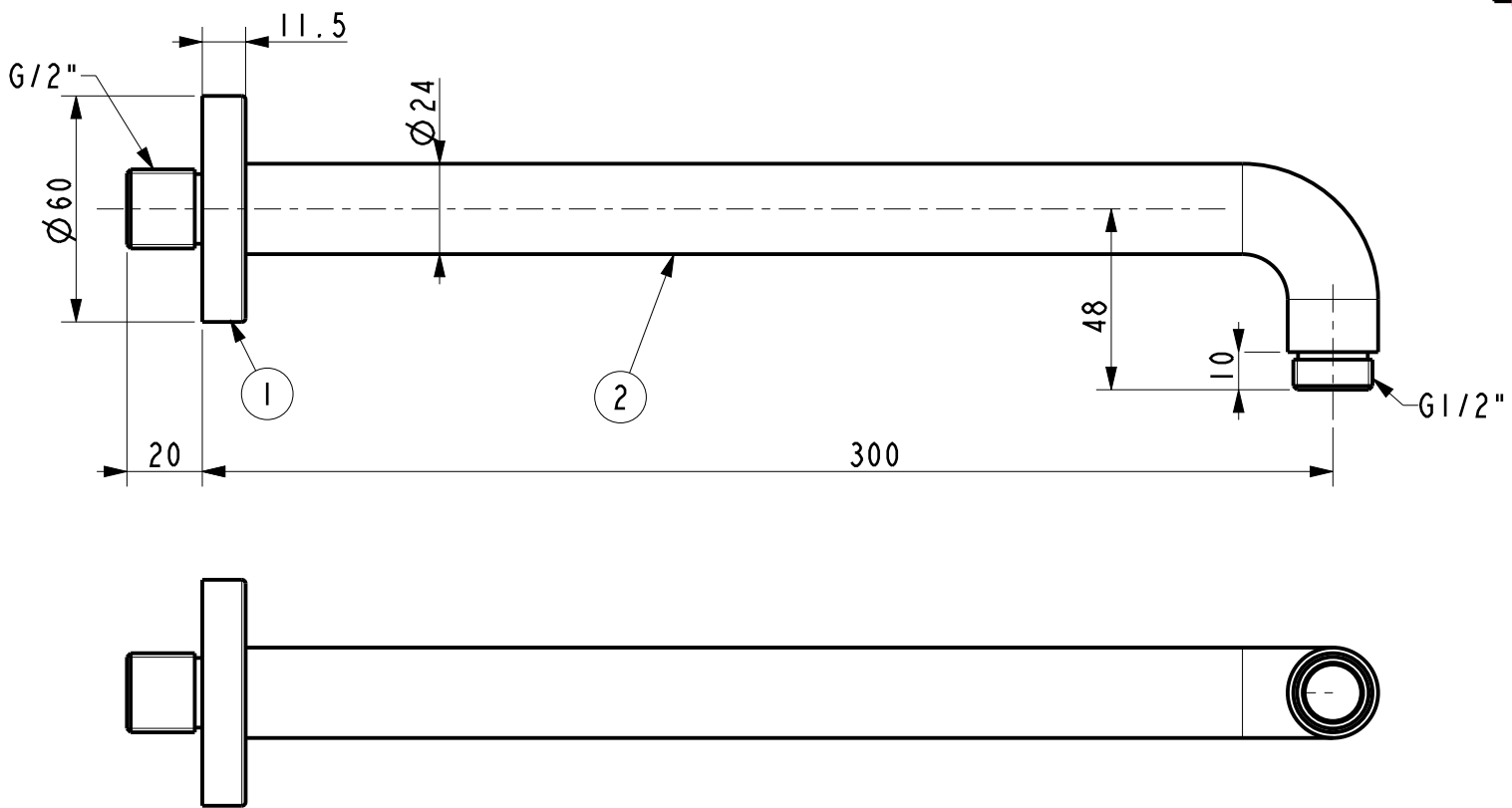


2023年7月27日

A/O

Tolerance, Unless Otherwise Stated. Is			
Above	0.5 to and including	6	±0.1
Excess	6 to and including	30	±0.2
Excess	30 to and including	120	±0.3
Excess	120 to and including	315	±0.5
Excess	315 to and including	1000	±0.8
Excess	1000 to and including	2000	±1.2



2	FF1-CN521JDA000272	Shower Arm For Oval Inwall	Hpb59-1	1	DA
1	FF1-CN521FDA000121	Escutcheon For Oval Inwall Shower Head	H62	1	DA
NQ	Part No	Description	Material	QTY	Remark

DESIGNED	区振锋	2023.07.07	TITLE	Acacia E Concealed Shower Main Mixing_DAO	
CHECKED	利华次	2023.07.07	REF	墙出水花洒臂_温暖金	
APPROVED	李海龙	2023.7.7.			
SCALE	MATERIAL	WEIGHT	DWG NO.	FFAS9909-000DA0BF0	
1:2	Assembly			American Standard	

REV	DESCRIPTION	DATE	NAME