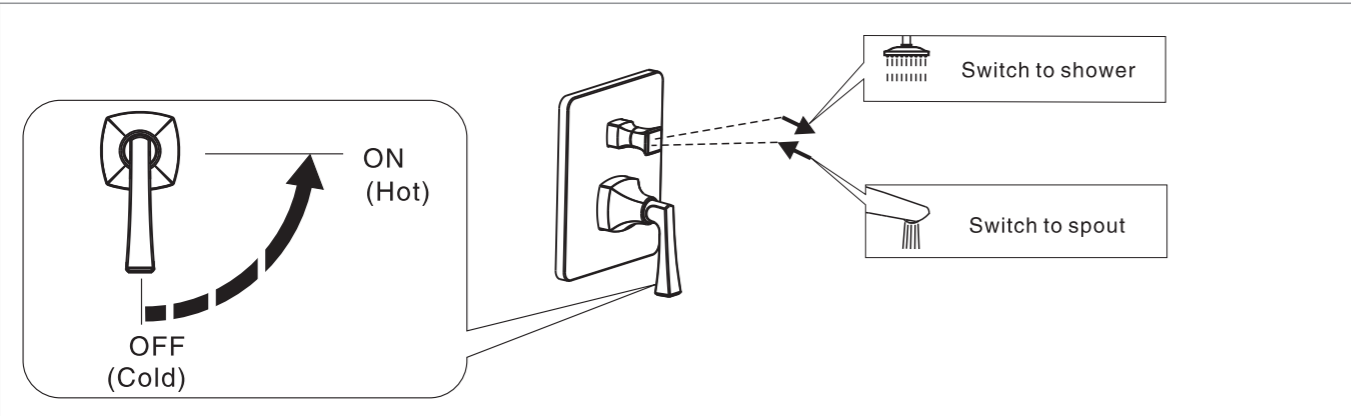


Test / Usage

1 Test

1. Move handle to "OFF" position. Turn on water at mains to check for any leakages.
2. Move handle in all directions to ensure that handle is moving smoothly.
3. Adjust handle to "ON" position to check water flow.

2 Usage

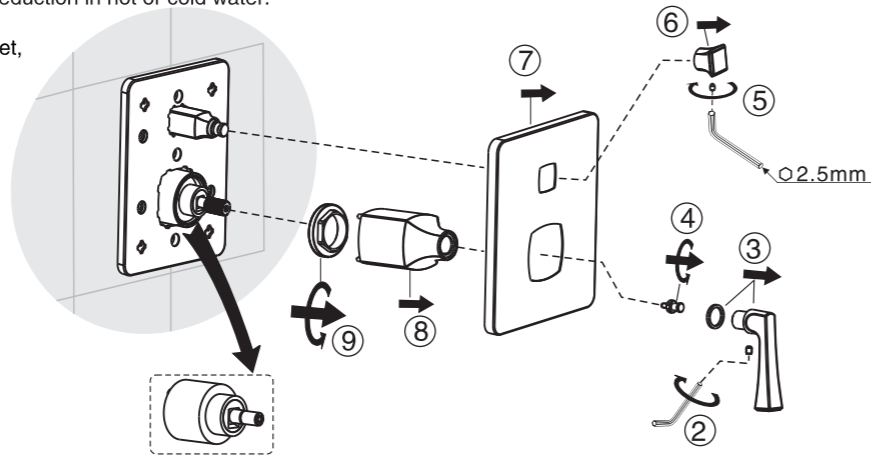


Trouble Shooting Guide

Issue	Component	Checkpoint	Corrective Action
Poor flow rate	Shower	Check any impurities	Remove all impurities
	Water supply valve	Check valve position	Open it to full valve
Leakage	Cartridge packing	Check cartridge install	Fastening the cartridge; or replace the cartridge
	Junction	Check the connection	Reinstall
Deviant Temperature	Water supply valve	Check if the water from supply valve is enough or not	Open the water supply valve
	Water supply system	Check if the supply pipe connected correct or not	Connect the hot and cold water pipe correctly

Care & Maintenance

- * SHOWER may accumulate dirt causing distorted and reduced water flow. Remove and clean SHOWER and then replace it.
- * If faucet drips, operate handle several times from "off" to "on". Do not apply excessive force.
- * Clogged CARTRIDGE inlets may cause flow reduction in hot or cold water. To clean inlets, turn off water supply firstly.
- * If you want to do the maintenance for the faucet, please follow the below process. After maintenance, to reset the parts, and test the water effect.



Attention:
Please leave manual with customer post installation.

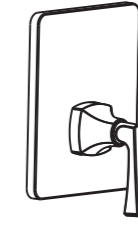
Kastello

FFAS1621-609500BT0
Kastello Concealed B&S Mixing Valve
W/ U-Box

FFAS1622-709500BT0
Kastello Concealed Shower Mixing Valve
W/ U-Box

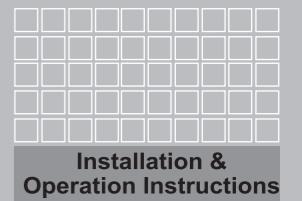


FFAS1621-609500BT0



FFAS1622-709500BT0

American Standard



Thank you for selecting American-Standard - the benchmark of fine quality for over 100 years. To ensure that your installation proceeds smoothly--please read these instructions carefully before you begin.

- * American Standard continually improves our product design and performance and reserves the right to modify the dimension and specification of our products accordingly without any prior notification.
- * This installation instruction sheet is for your reference only, the dimension and specification is subject to the actual products.

Pre-Installation Checks

- * All instruction procedures must comply in strict accordance with applicable local plumbing and building codes.
- * Remove all impurity in pipes before beginning to avoid clogging. Connect faucet pipes correctly.
- * Check installation distances in the Dimension diagram to ensure correct installation.

Conditions for use

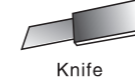
- * Water pressure condition: 0.05~0.75MPa (Recommended water pressure condition: 0.1~0.5MPa)
- * Environment Temperature: 1~55°C
- * Water Temperature: 4°C ~ 90°C, Recommended the highest hot water temperature 60°C.
- * Steam is not allowed to use. The cold and hot water pipes must not be reserved.

When in the process of installation, grab the whole body. Do not grab handle only.

Recommended Tools and Materials



Adjustable Wrench



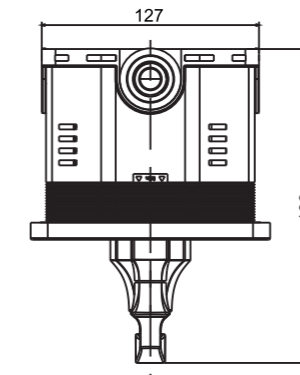
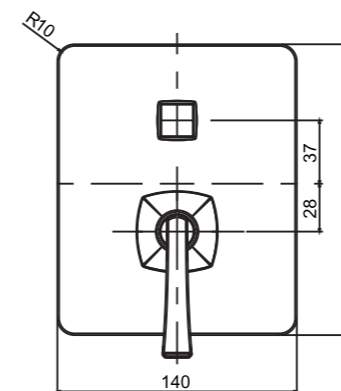
Knife



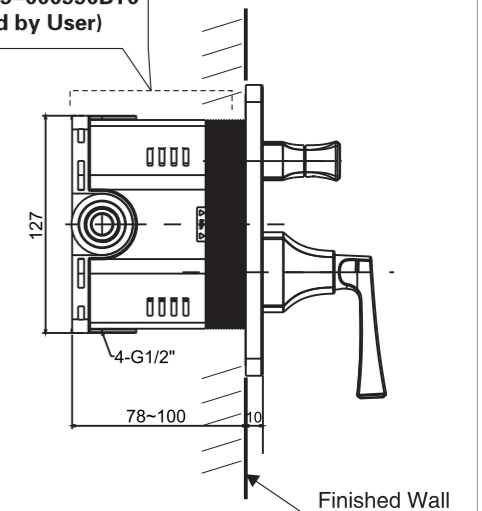
Screwdriver

Dimension

FFAS1621-609500BT0



FFAS0625-000990BT0
(Provided by User)



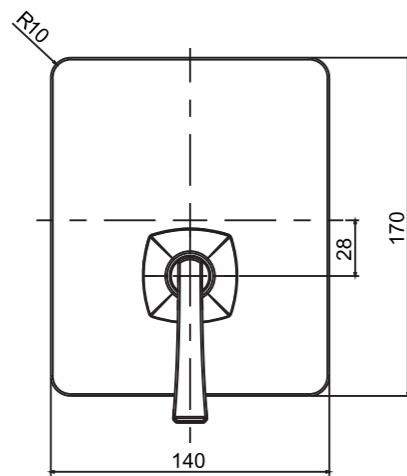
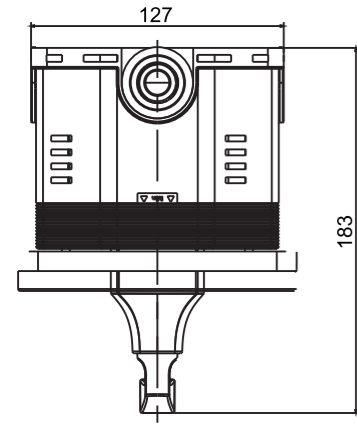
Unit: mm

Finished Wall

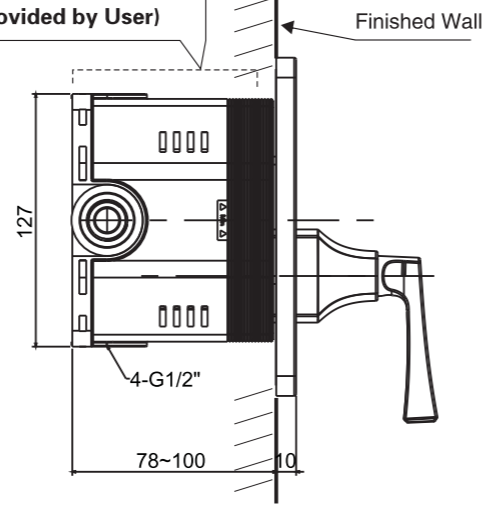
Dimension

Unit: mm

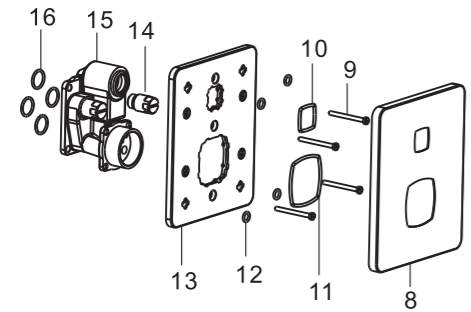
FFAS1622-709500BT0



FFAS0625-000990BT0
(Provided by User)

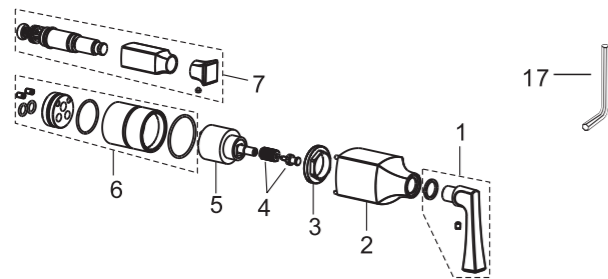


Parts List



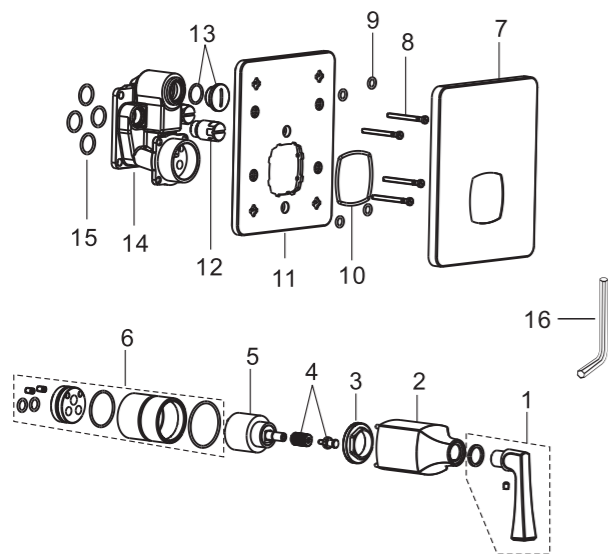
(FFAS1621-609500BT0)

Parts List		
No.	Part Name	Q'ty
1	Handle	1
2	Cap	1
3	Nut	1
4	Bushing	1
5	Cartridge	1
6	Seat	1
7	Diverter valve	1
8	Escutcheon	1
9	Screw	4
10	Washer	1
11	Washer	1
12	O-ring	4
13	Locating plate	1
14	Safety device	1
15	Body	1
16	O-ring	4
17	In-hex wrench	1



(FFAS1622-709500BT0)

Parts List		
No.	Part Name	Q'ty
1	Handle	1
2	Cap	1
3	Nut	1
4	Bushing	1
5	Cartridge	1
6	Seat	1
7	Escutcheon	1
8	Screw	4
9	Washer	4
10	Washer	1
11	O-ring	1
12	Locating plate	1
13	Safety device	1
14	Body	1
15	O-ring	4
16	In-hex wrench	1

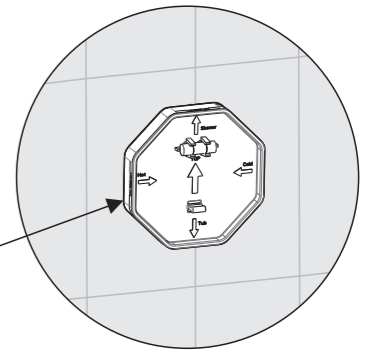


Installation

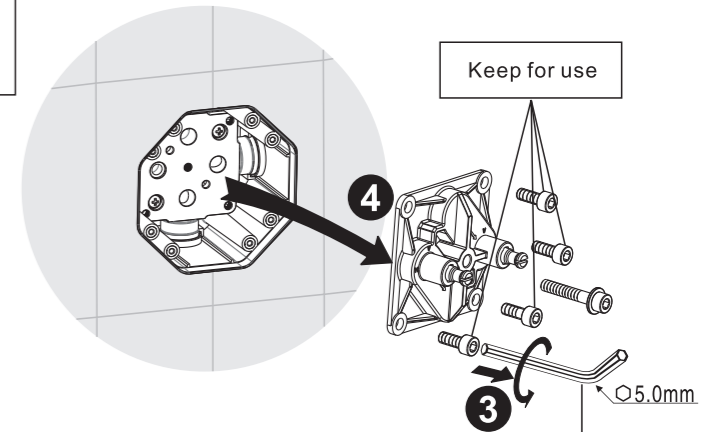
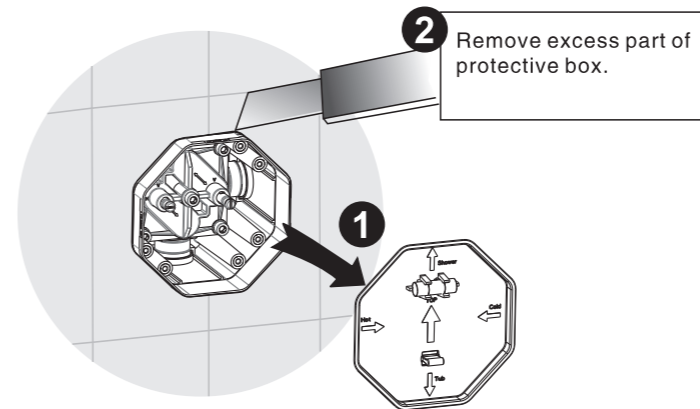
1 Preparation

This product must use with "FFAS0625-000990BT0" AS Universal Installation Box. Please refer to relevant installation manual.

Before installation, Please confirm that you have correctly installed the "Universal Installation Box", and shut off the water supply.



2 Control Valve & Escutcheon & Handle Installation



This tool can be found in "AS Universal Installation Box" package.

