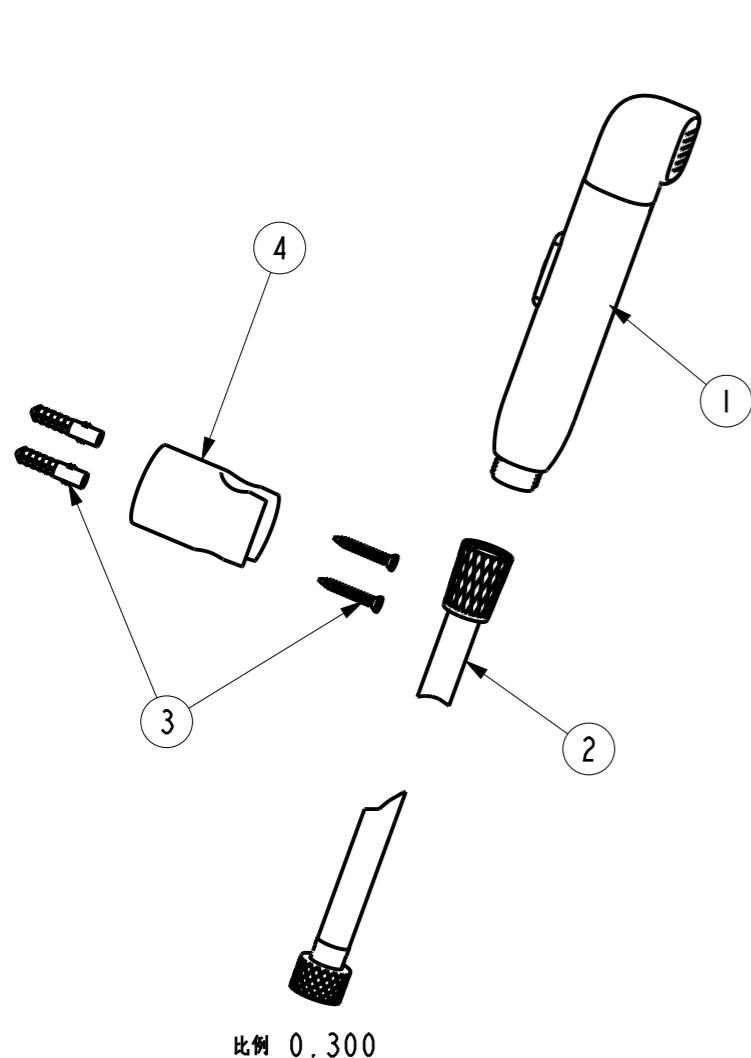
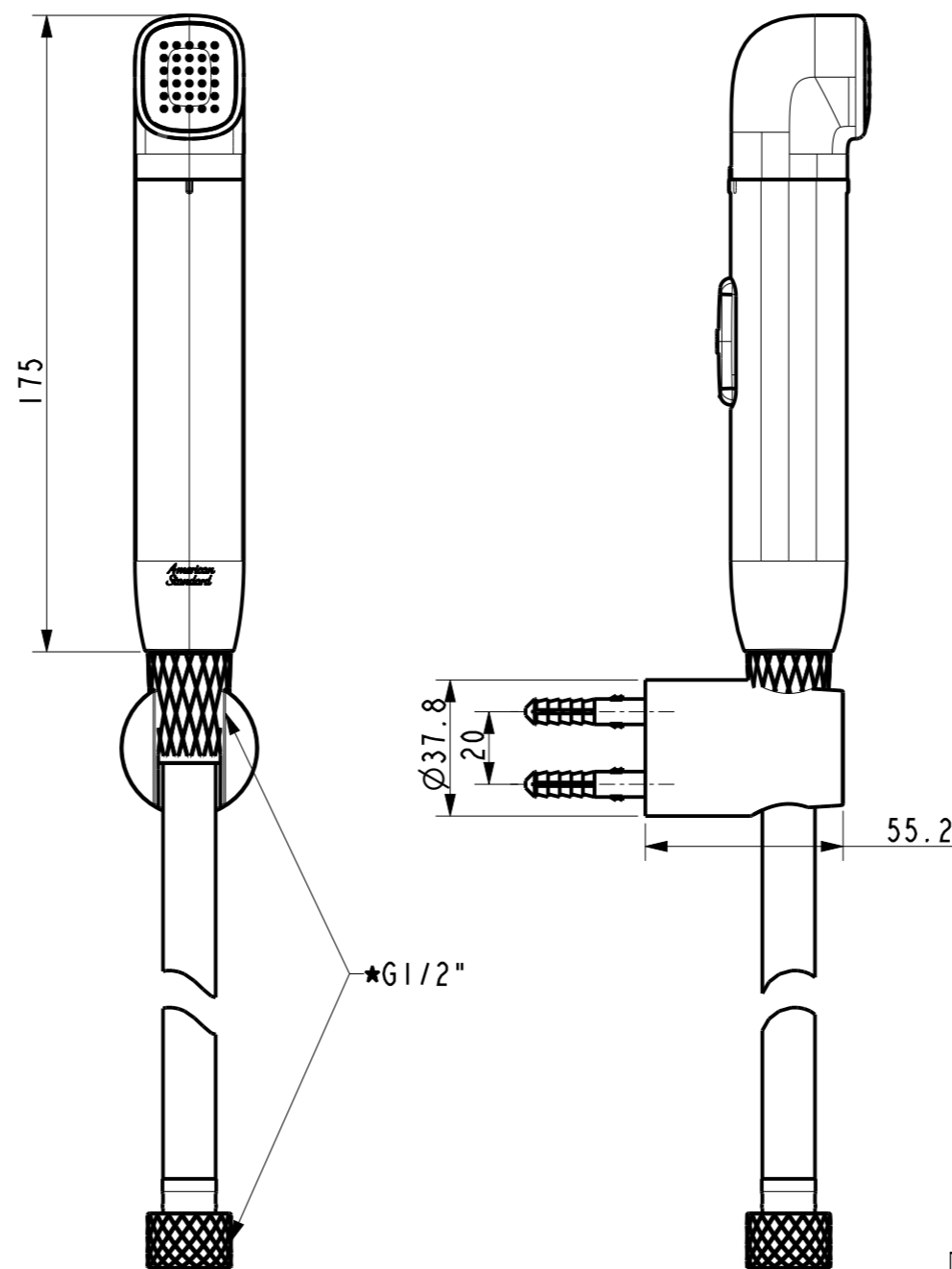


Tolerance, Unless Otherwise Stated, Is			
Above	0.5 to and including	6	±0.1
Excess	6 to and including	30	±0.2
Excess	30 to and including	120	±0.3
Excess	120 to and including	315	±0.5
Excess	315 to and including	1000	±0.8
Excess	1000 to and including	2000	±1.2



比例 0.300



比例 0.500

技术要求

- 零件外观清洁, 不得有尖锐棱角、碰划伤、披风等缺陷, 具体参看标准《W110.6264》的要求;
- 耐腐蚀性符合AASS, 24H, 10级;
- 螺纹表面不应有断牙、裂痕等明显缺陷、连接螺纹G1/2'' 通规通, 止规止;
- 流量: 在动压0.1Mpa下,  $2 \leq Q \leq 6L/Min$ ;
- 密封性能(喷枪组件)
  - 1在17.5bar 静压下, 保持喷枪关闭60S不泄漏;
  - 2在5bar 动压下切换按钮开关无泄漏;
  - 3在0.5bar 动压下切换按钮开关无泄漏;
- 寿命(喷枪组件)10万次  
试验过程中零件无断裂、卡顿、泄漏等现象  
试验完成后密封性能满足5的要求
- ( $0.6 \pm 0.02$ )Mpa压力下, 按钮操作力  $\leq 40N$ ;
- 喷枪的其他要求符合《W110.6264》的要求;
- 带"★"为重点尺寸。

No.	Part No.	Part Name	Material	QTY	Remark
4	FF1-CN521T00099A0P	防缠绕PVC软管-1.2M (星河灰)	Assembly	1	A00
3	FF1-CN521X00000012	1581742899\十字盘头自攻螺钉组件	Assembly	1	
2	FF1-CN521HA0000058	睿欧浴缸花洒支架 (星河灰)	Assembly	1	A00
1	FF1-CN521H00076A0P	双功能小精灵喷枪 (星河灰)	Assembly	1	A00+Glossy White

DESIGNED	李爽	2023.12.5	TITLE	DuoStiX Hygiene Spray_A00	
CHECKED	段光强	2023.12.5	REF	双功能小精灵喷枪 (星河灰)	
APPROVED	李爽	2023.12.5			
SCALE	MATERIAL	WEIGHT	DWG NO.	FFASTS28-0000A0BF0	
0.5					

American Standard

REV	DESCRIPTION	DATE	NAME