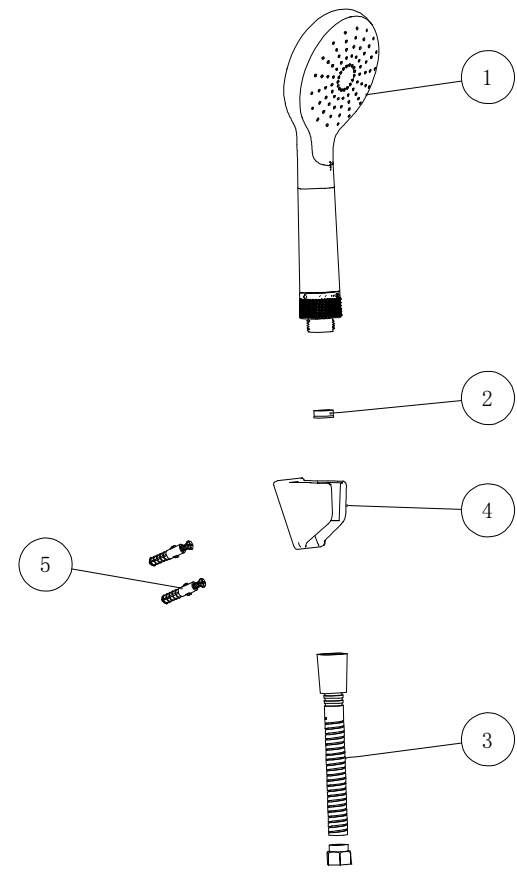
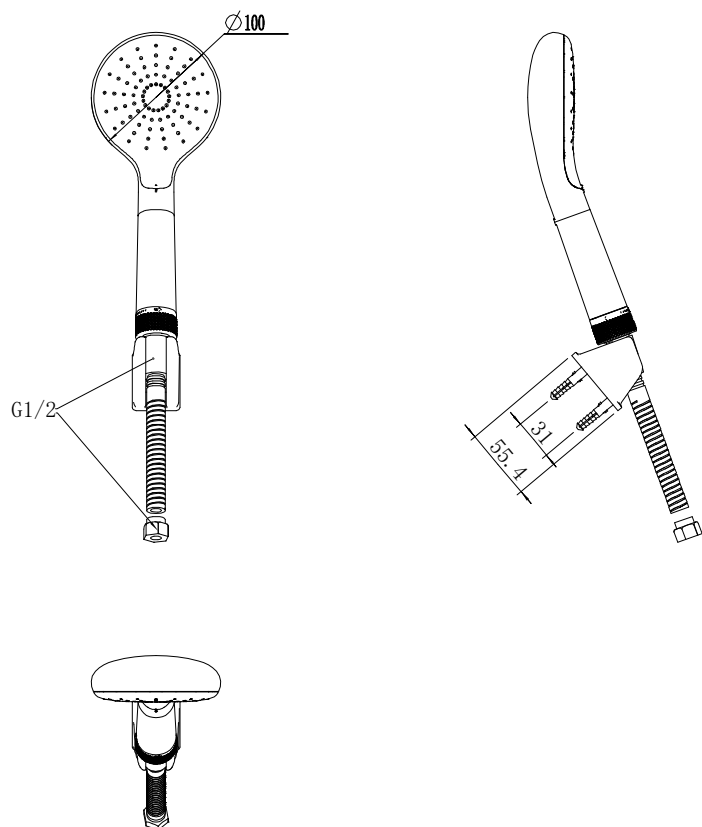


Tolerance, Unless Otherwise Stated. Is			
Above	0.5 to and including	6	± 0.1
Excess	6 to and including	30	± 0.2
Excess	30 to and including	120	± 0.3
Excess	120 to and including	315	± 0.5
Excess	315 to and including	1000	± 0.8
Excess	1000 to and including	2000	± 1.2



Note  
 1. Two functions hand shower, one is spray, one is jet with flow adjustment  
 2. body and spray face are plastic  
 3. comply with WI10.0406

NO.	Part No.	Part Name	QTY	Material	Remark
5	FF1-CN521X00000013	6inchEconomy Stainless SteelScrew	1	assembly	
4	FF1-CN521H00000055	RG Shower Hanger Sgl Hole (Cr) T2	1	ABS	
3	FF1-CN521T00000025	SHOWER HOSE(1.5M)	1	assembly	
2	FF1-CN521S00000012	1582387499\Regulator (58.7362.1)	1	assembly	
1	4229610000	FLUX Hand Shower 100mm 2F CH (flow adj)	1	assembly	

DESIGNED	Jackie Cao	2025.7.4	TITLE	WizFlo Duo Flex Hand Shower_APAC	
CHECKED	<i>[Signature]</i>	2025.7.4	REF	澜精灵魔控增压手持花洒_亚太	
APPROVED	<i>[Signature]</i>	2025.07.04			
SCALE	MATERIAL	WEIGHT	DWG NO.	1352630000	
1:2	assembly				



REV	DESCRIPTION	DATE	NAME