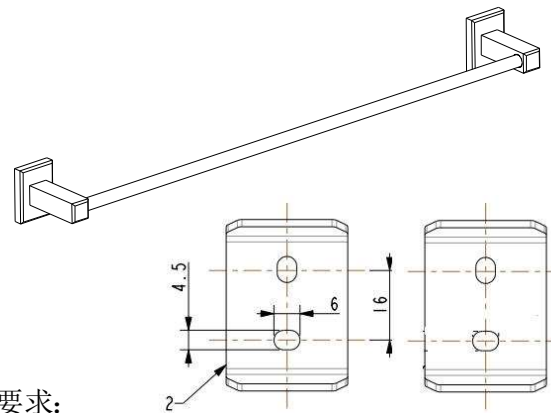
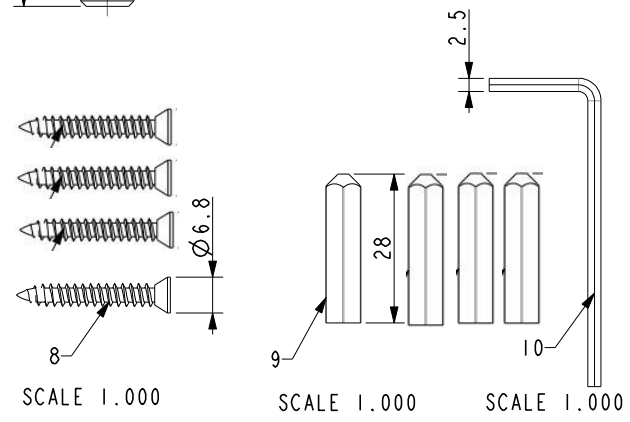
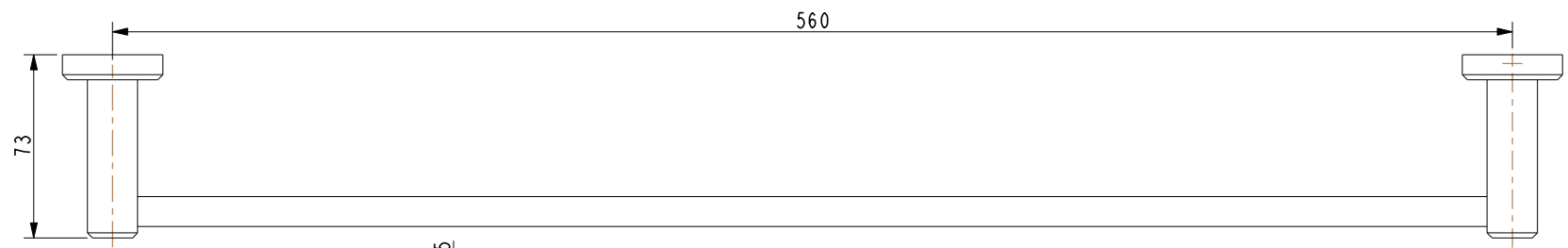
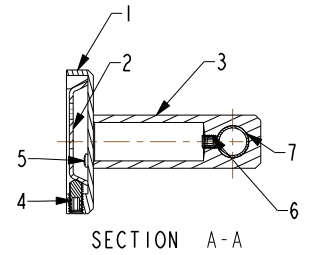
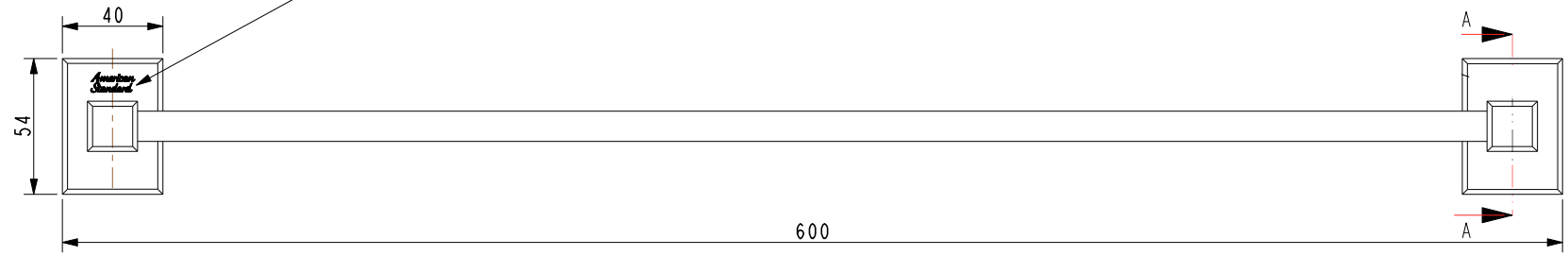


Tolerance, Unless Otherwise Stated, Is		
Above 0.5 to and including 6	±0.1	
Excess 6 to and including 30	±0.2	
Excess 30 to and including 120	±0.3	
Excess 120 to and including 315	±0.5	
Excess 315 to and including 1000	±0.8	
Excess 1000 to and including 2000	±1.2	

丝印LOGO  
颜色Pantone 11C



序号	组件号	对象描述	材质	数量	备注
1	FF1-CN521J00317DAX	0481底座 温暖金	ZZnA14-1	2	
3	FF1-CN521B00051DAX	0493支杆 温暖金	ZZnA14-1	2	
7	FF1-CN521Z00237DAB	0493直管 温暖金	SUS201	1	
2					
4					
5					
6	FF1-CN521Z0023899S	0493余下配件	组件	1	
7					
8					
9					
10					

技术要求:

- 按《WI10.3204》浴室配件进货检验标准检验;
- 所有尺寸为一般尺寸。

REV	DESCRIPTION	DATE	NAME

DESIGNED	利华沐	2023.12.19	TITLE
CHECKED	DAW	2023.12.19	REF
APPROVED	李华	2023.12.19	概念方毛巾杆_温暖金
SCALE	MATERIAL	WEIGHT	DWG NO.
0.500	Assembly		FFAS0493-908DA0BF0

