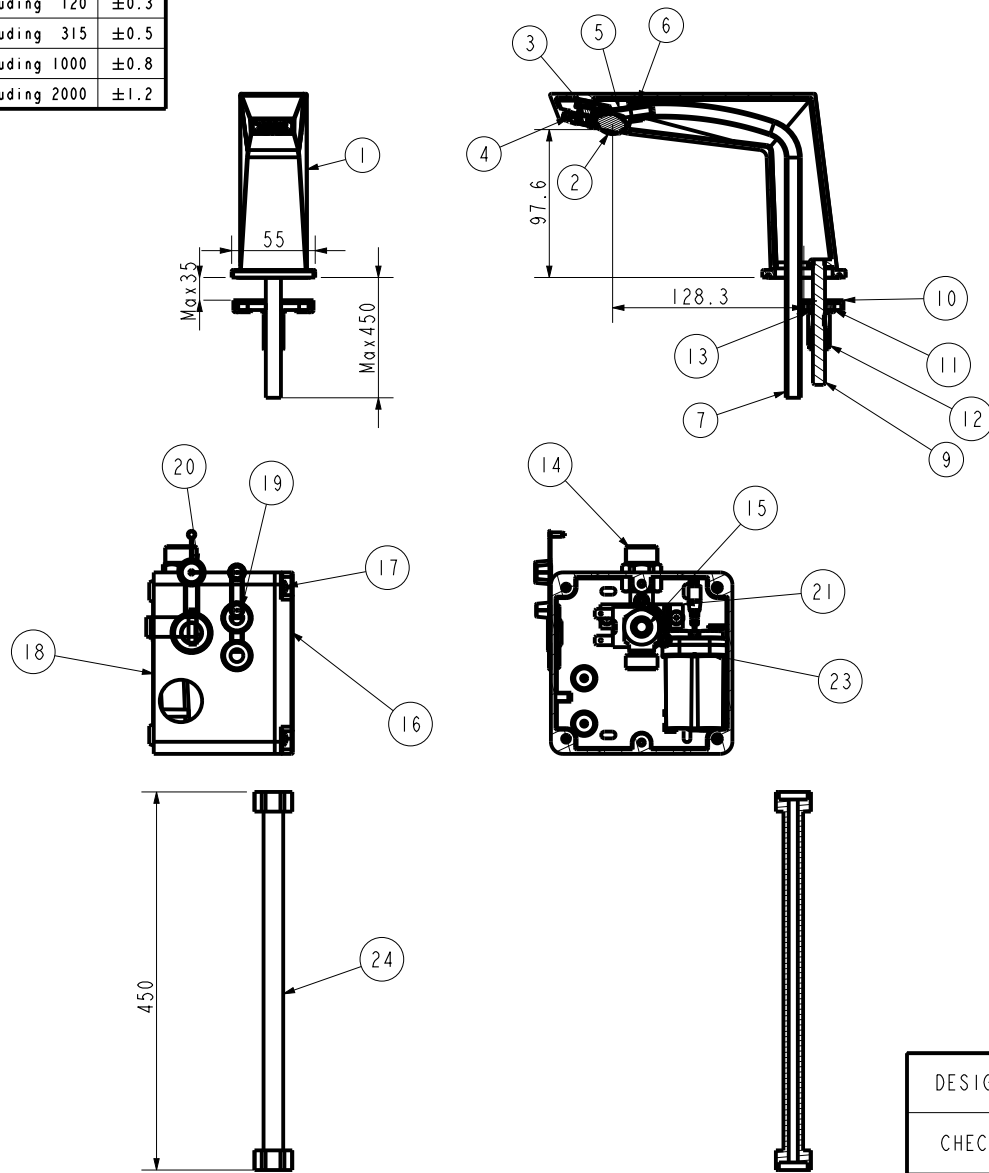


Tolerance, Unless Otherwise Stated. Is			
Above	0.5 to and including	6	±0.1
Excess	6 to and including	30	±0.2
Excess	30 to and including	120	±0.3
Excess	120 to and including	315	±0.5
Excess	315 to and including	1000	±0.8
Excess	1000 to and including	2000	±1.2



No.	Part Code	Part Des. (CN)	Qty.
1	FFZ28509-A0050BDPL	A37感应面盆龙头本体	1
2	FF1-CN821A0002699P	起泡器组件 (45.3030.220) (blue)	1
3	FF1-CN821S00000044	感应头组件	1
4	FF1-CN821N00000269	迈阿密单孔面盆水嘴限位螺钉	1
5	FF1-CN821Z00000264	感应头固定座	1
6	FF1-CN821Z00000287	进水管卡环	1
7	FF1-CN821T00000038	PVC进水管 (700mm)	1
8	FF1-CN821N00000172	螺钉M3*8	1
9	FF1-CN821Z00000346	US感应龙头出水口紧固螺柱 (A917243)	1
10	FF1-CN821G00000238	US感应龙头紧固橡胶垫 (A911942)	1
11	FF1-CN821J00000432	马蹄铁 A923271 (BVBA)	1
12	FF1-CN821N00000219	US感应龙头出水口紧固螺帽 (A906102)	1
13	FF1-CN821Z00000166	US感应龙头紧固防松环	1
	FF1-CN821J00000146	出水接头	1
14	FF1-CN821A0002599P	整流器 (58.7356.1) (1.5gpm blac	1
	FF1-CN821G00000034	平垫片 $\phi 18.5 \times \phi 13 \times 2$	1
15	FF1-CN821S00000001	EL电磁阀	1
16	FF1-CN821F00000048	EL感应龙头控制盒上盖	1
17	FF1-CN821N00000239	木螺丝 (A918549)	4
18	FF1-CN821Z00000286	EL感应龙头控制盒体	1
19	FF1-CN821G00000306	新密封扣 (A922267) (WIT)	1
20	FF1-CN821Z00000081	控制盒感应龙头电线孔盖	1
21	FF1-CN821F00000181	固定板	1
22	FF1-CN821Z00000080	感应控制盒孔盖	1
	FF1-CN821F00000089	EL感应龙头电池盒上盖 (透明)	1
	FF1-CN821G00000088	电池盒上盖密封胶	1
	FF1-CN821S00000045	蓝鸟直流板电源板组件	1
23	FF1-CN821G00000086	电池盒主体密封胶	1
	FF1-CN821Z00000087	EL感应龙头电池盒主体 (透明)	1
	FF1-CN821Z00000079	感应DC电池盒孔盖	1
	FF1-CN821S00000023	EL 电池 (AA)	4
24	FF1-CN821T00000008	GS-1型进水管 1/2inch*45	1

DESIGNED			TITLE
CHECKED			REF
APPROVED			数位技术方形感应面盆龙头 (DC)
SCALE	MATERIAL	WEIGHT	DWG NO.
			FFAS8509-D00500BCO

REV	DESCRIPTION	DATE	NAME

**American
Standard**