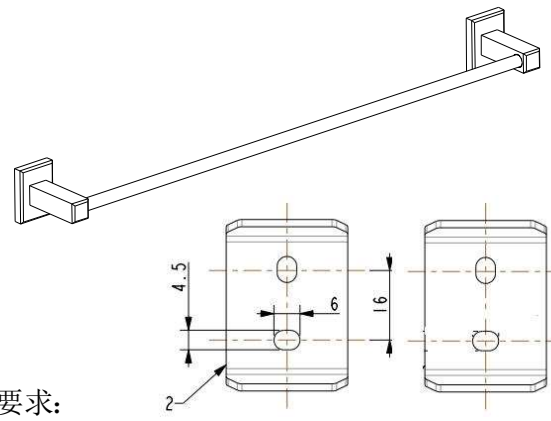
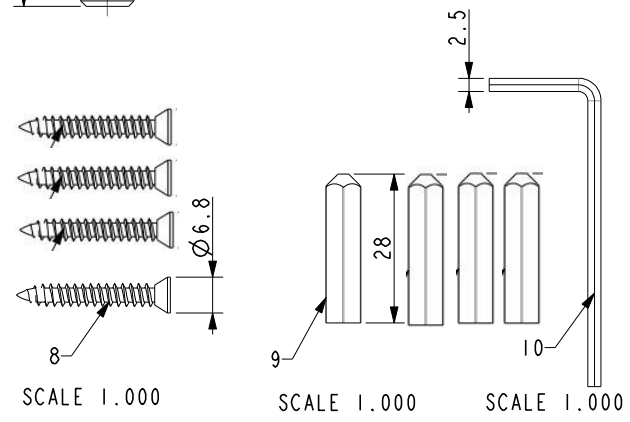
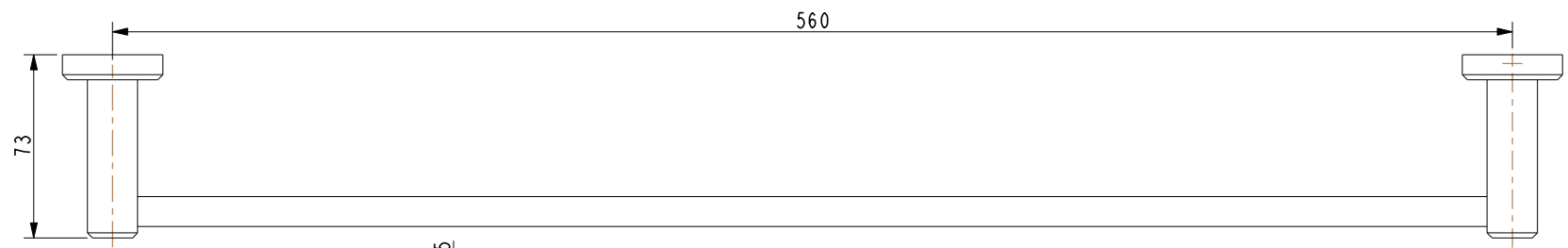
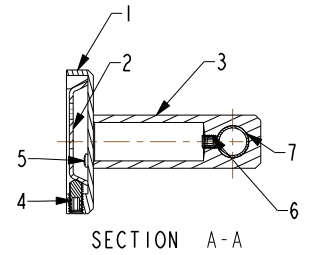
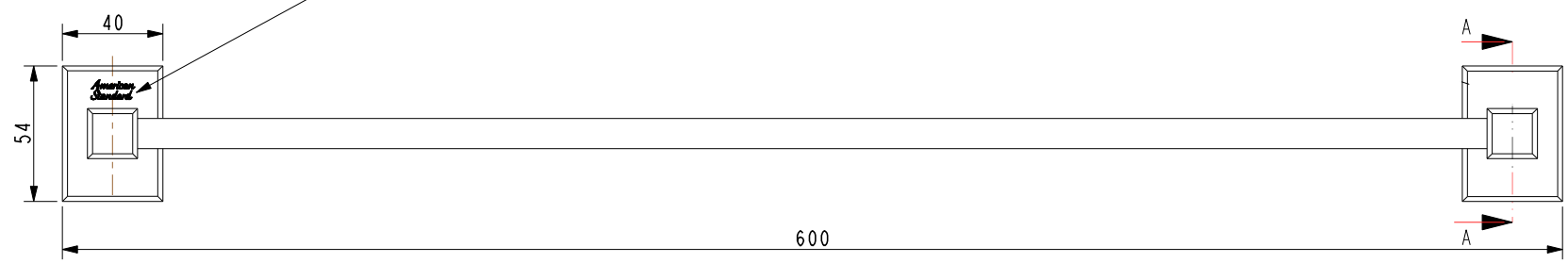


Tolerance, Unless Otherwise Stated, Is	
Above 0.5 to and including 6	±0.1
Excess 6 to and including 30	±0.2
Excess 30 to and including 120	±0.3
Excess 120 to and including 315	±0.5
Excess 315 to and including 1000	±0.8
Excess 1000 to and including 2000	±1.2

丝印LOGO
颜色Pantone 11C



序号	组件号	对象描述	材质	数量	备注
1	FF1-CN521J00317GLX	0481底座 喜悦金	ZZnA14-1	2	
3	FF1-CN521B00051GLX	0493支杆 喜悦金	ZZnA14-1	2	
7	FF1-CN521Z00237GLB	0493直管 喜悦金	SUS201	1	
2					
4					
5					
6	FF1-CN521Z0023899S	0493余下配件	组件	1	
7					
8					
9					
10					

技术要求:
1、按《WI10.3204》浴室配件进货检验标准检验;
2、所有尺寸为一般尺寸。

REV	DESCRIPTION	DATE	NAME

DESIGNED	利华决	2023.12.19	TITLE	
CHECKED	孙	2023.12.19	REF	
APPROVED	李	2023.12.19	概念方毛巾杆_喜悦金	
SCALE	MATERIAL	WEIGHT	DWG NO.	American Standard
0.500	Assembly		FFAS0493-908GLOBFO	