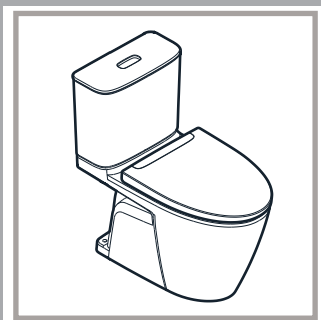
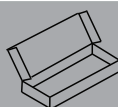
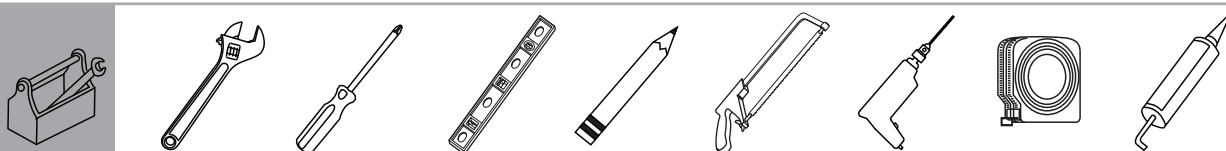


**AC-602VN**  
**CC060201-6DFC0-AN**  
**CC060202-6DFC0-AN**



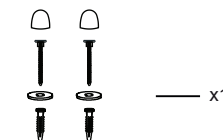
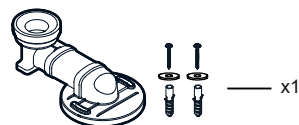
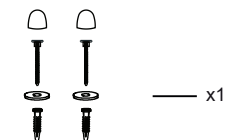
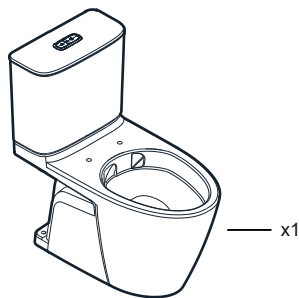
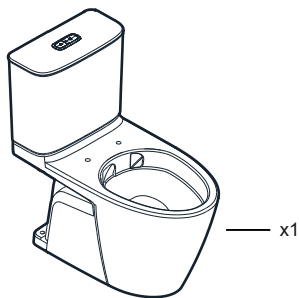
**INAX**

ISO 9001:2015  
 ISO 14001:2015



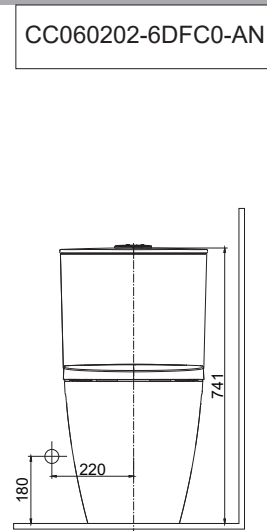
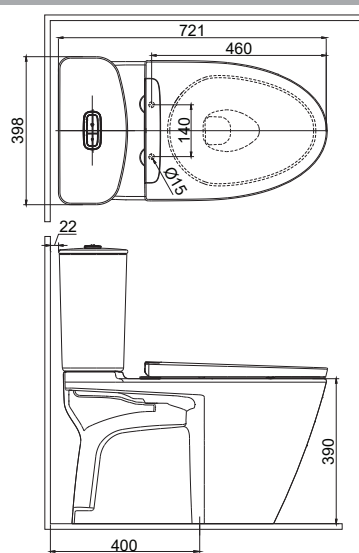
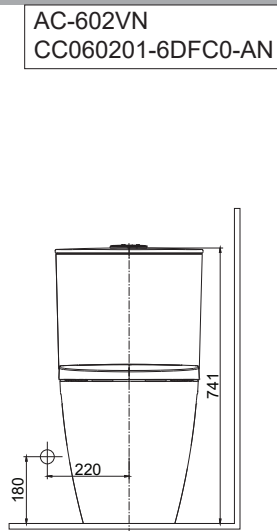
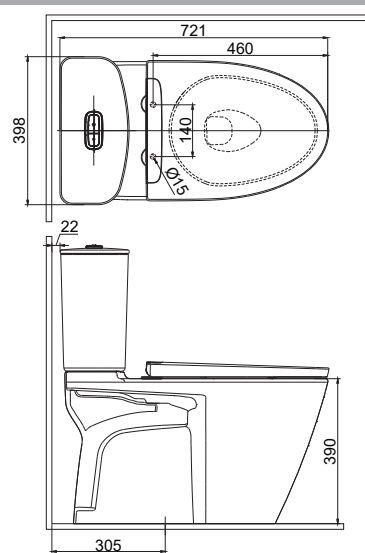
AC-602VN  
 CC060201-6DFC0-AN

CC060202-6DFC0-AN



AC-602VN  
 CC060201-6DFC0-AN

CC060202-6DFC0-AN

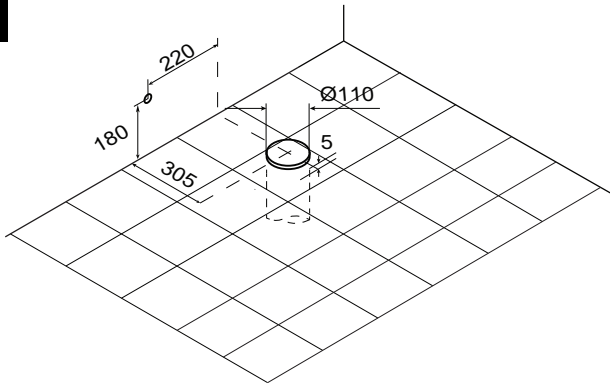




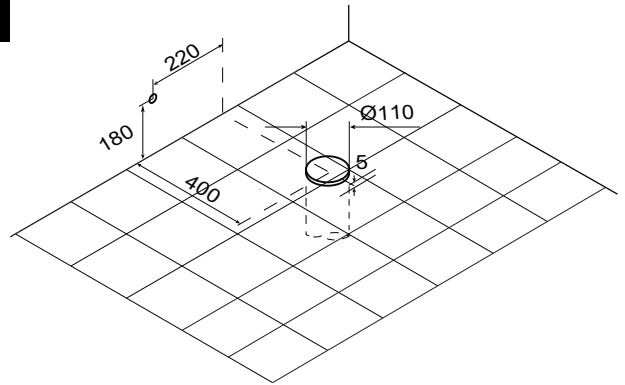
AC-602VN/ CC060201-6DFC0-AN

CC060202-6DFC0-AN

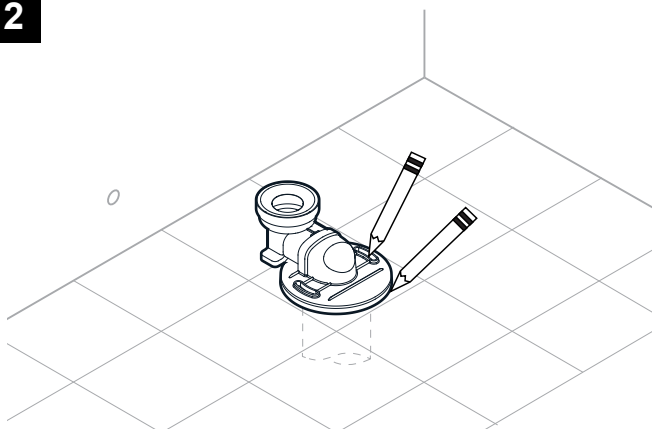
1



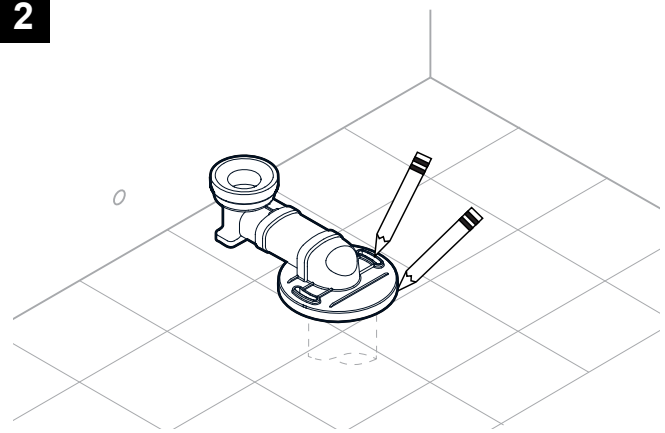
1



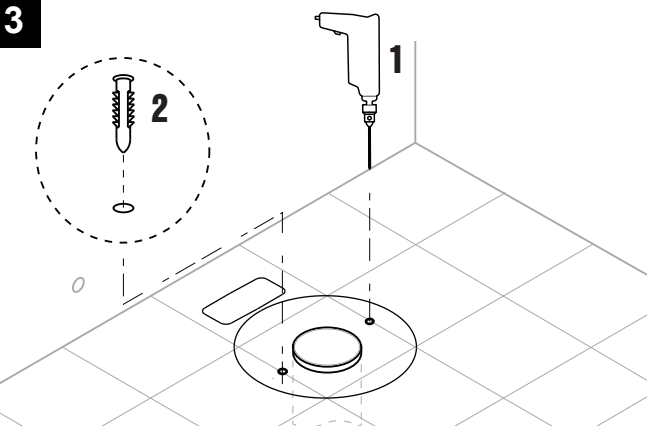
2



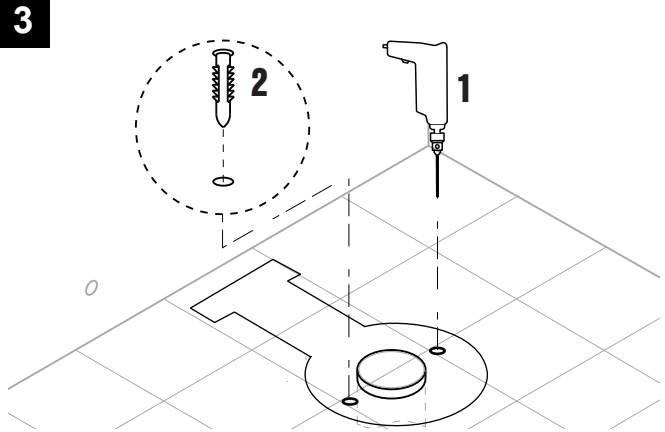
2



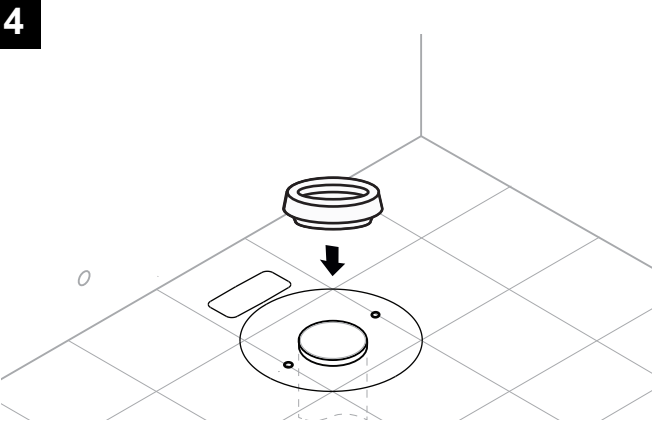
3



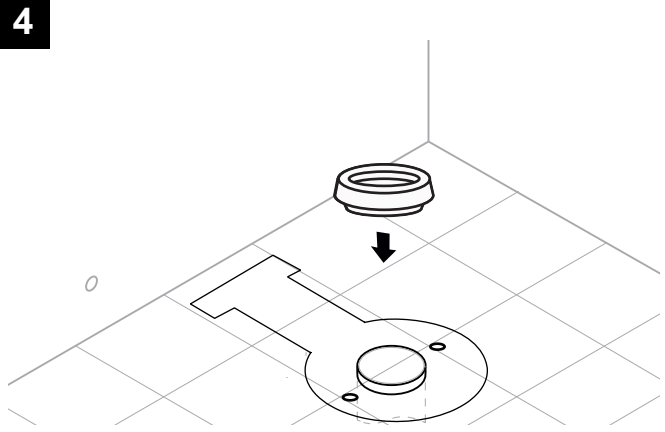
3



4



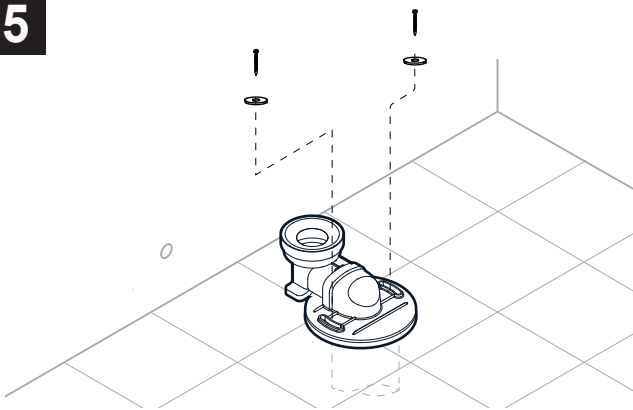
4





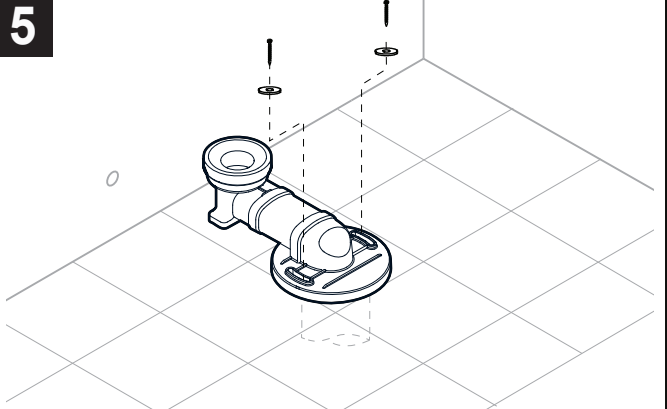
AC-602VN/ CC060201-6DFC0-AN

5

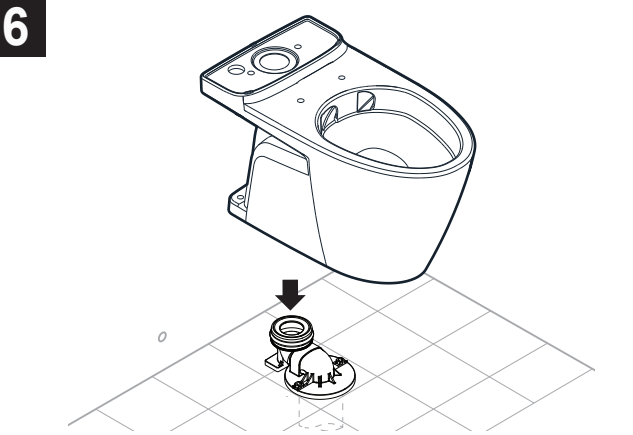


CC060202-6DFC0-AN

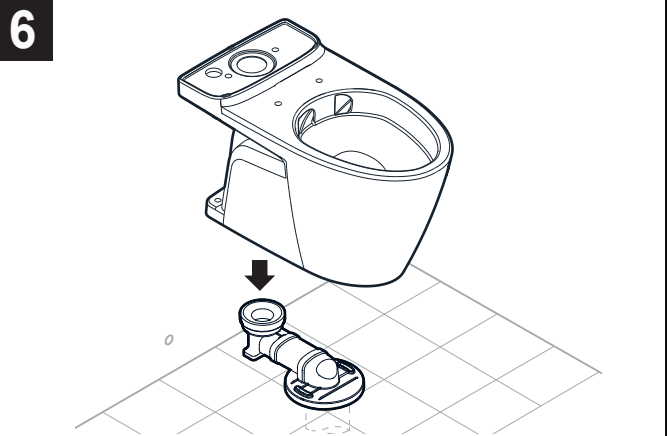
5



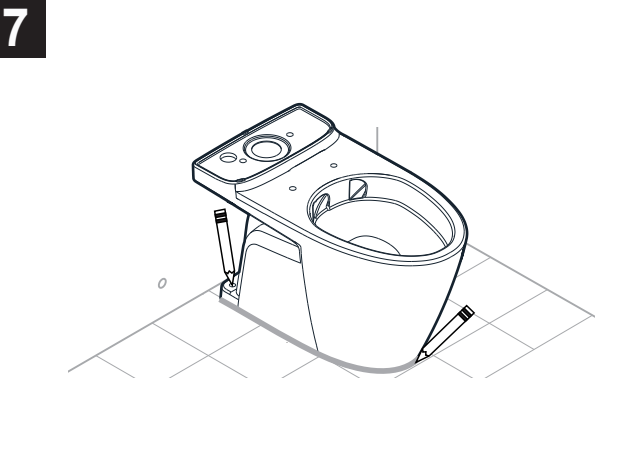
6



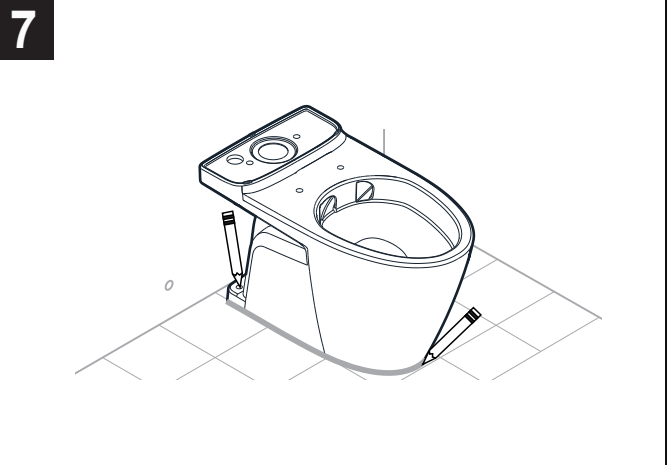
6



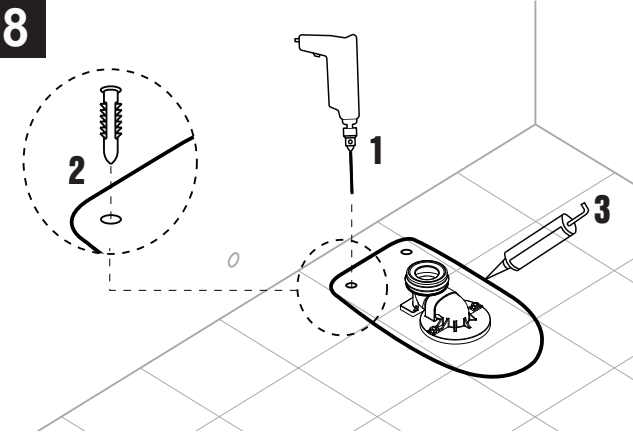
7



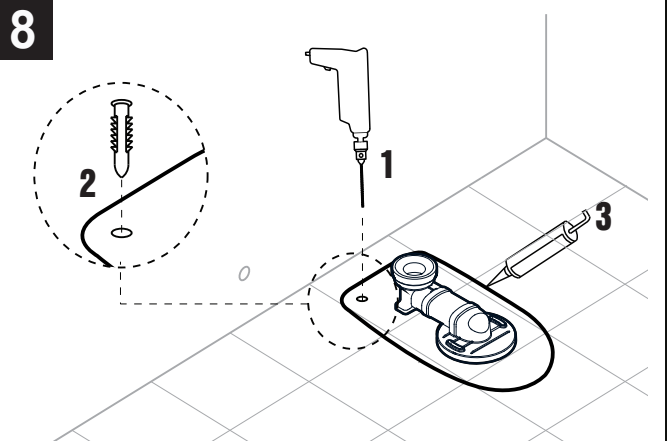
7



8



8

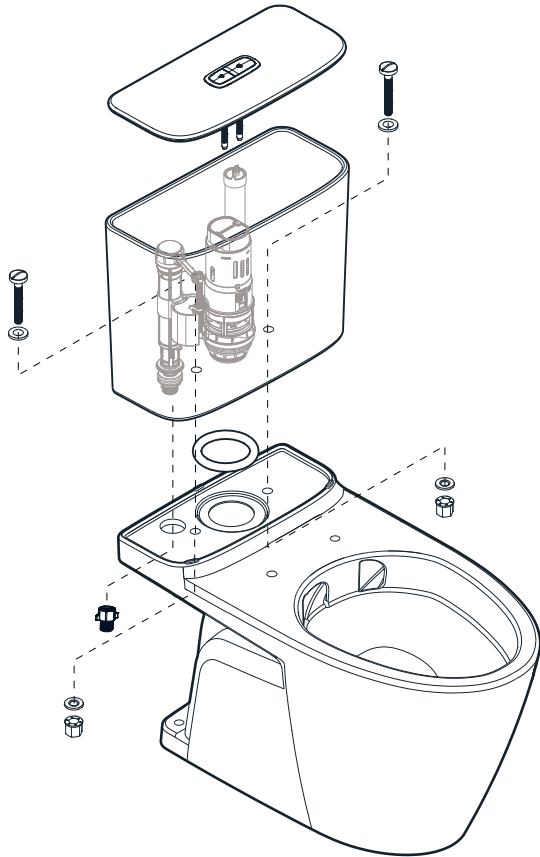




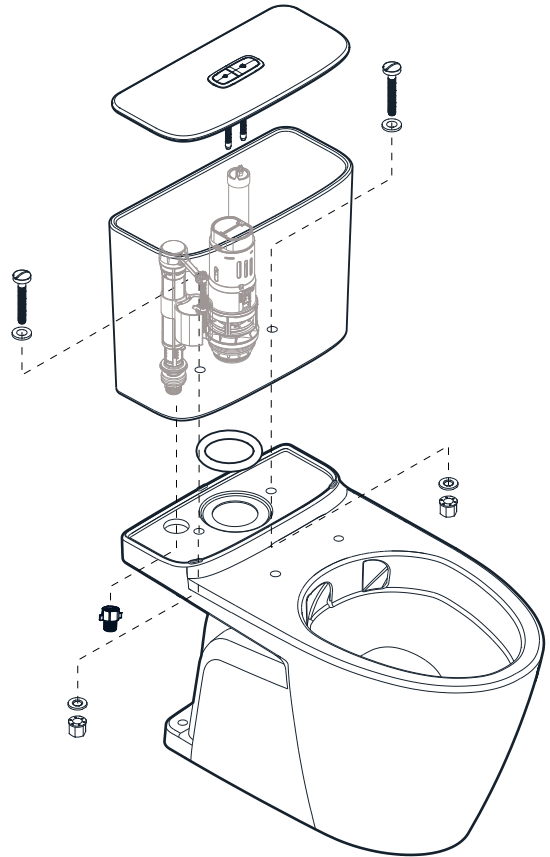
AC-602VN/ CC060201-6DFC0-AN

CC060202-6DFC0-AN

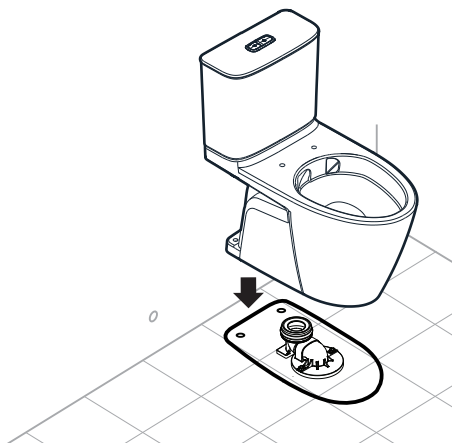
9



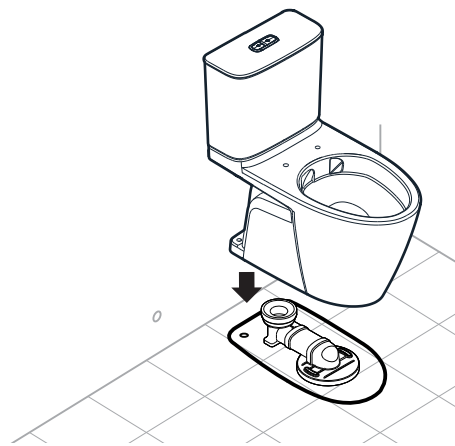
9



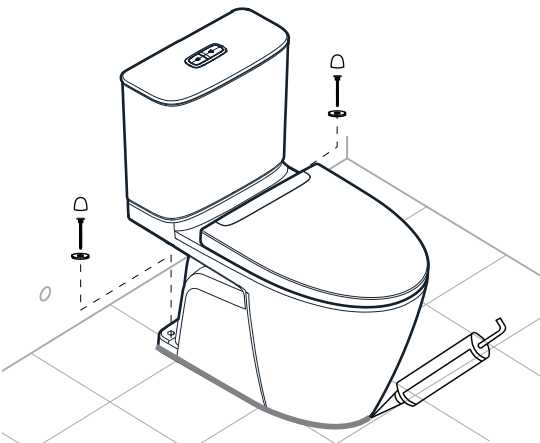
10



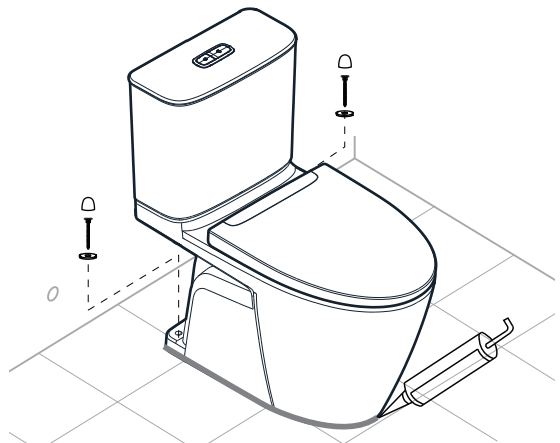
10



11



11



AC-602VN/  
CC060201-6DFC0-AN

M120051

A-602EAS-3

A-602EAS-1

M12242

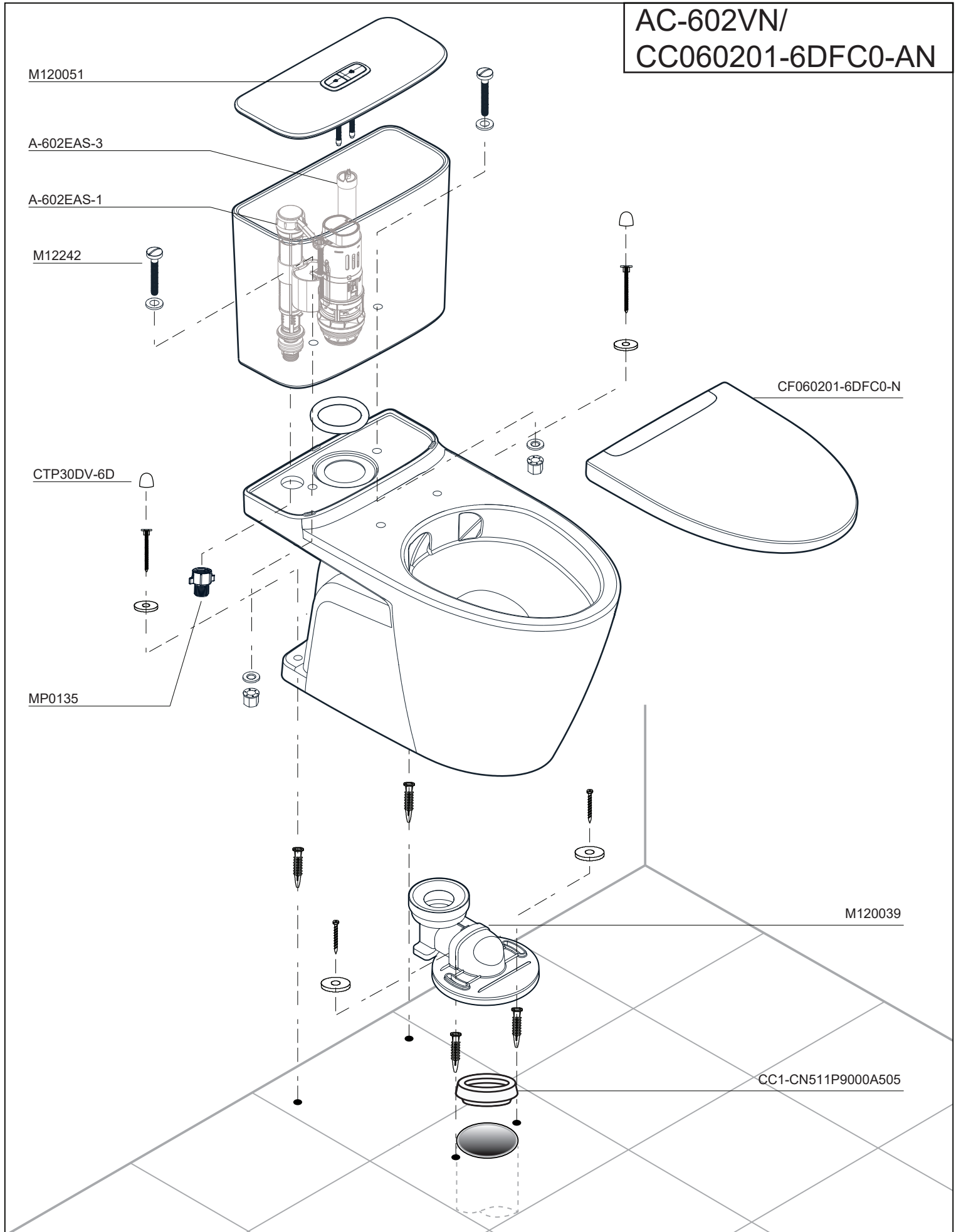
CTP30DV-6D

MP0135

CF060201-6DFC0-N

M120039

CC1-CN511P9000A505



CC060202-6DFC0-AN

M120051

A-602EAS-3

A-602EAS-1

M12242

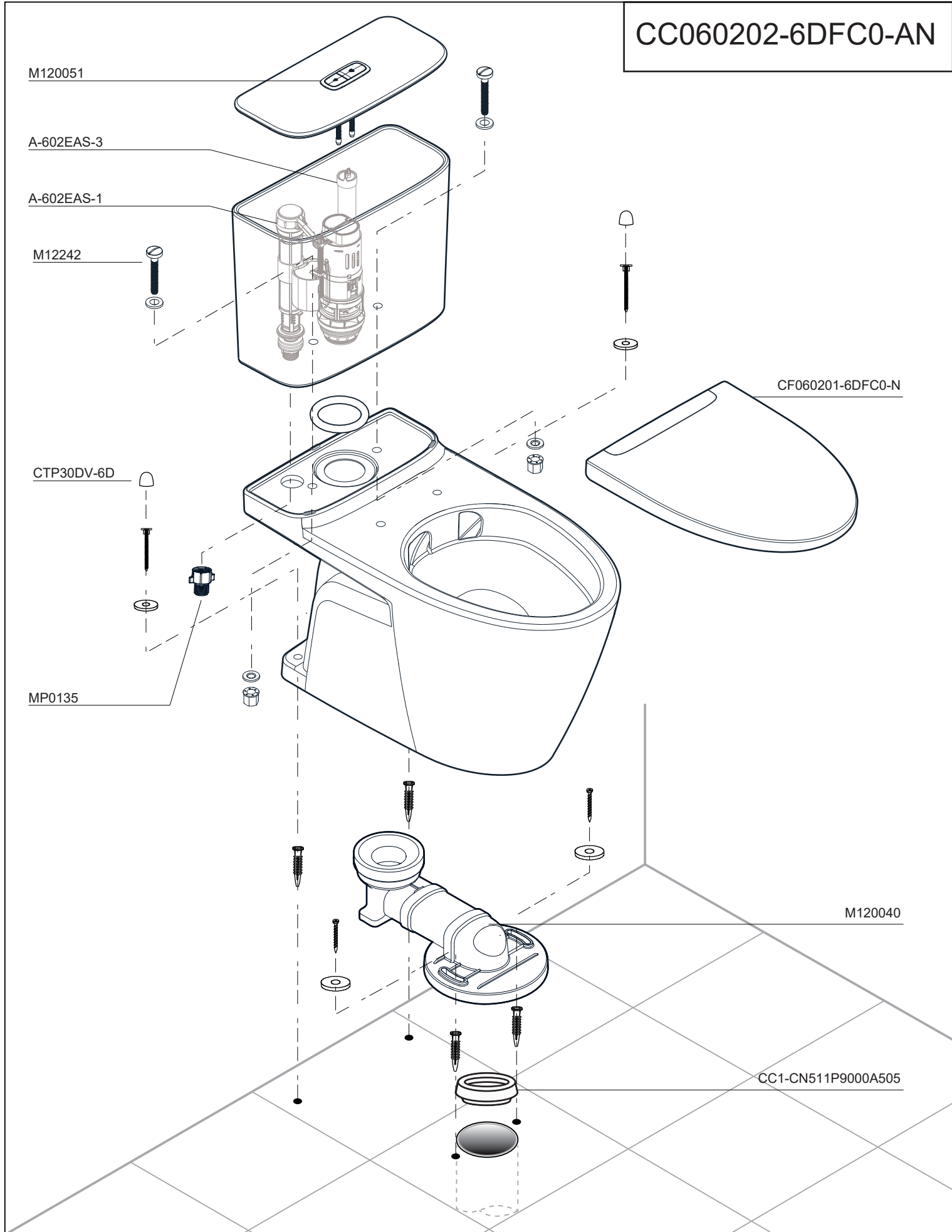
CTP30DV-6D

MP0135

CF060201-6DFC0-N

M120040

CC1-CN511P9000A505

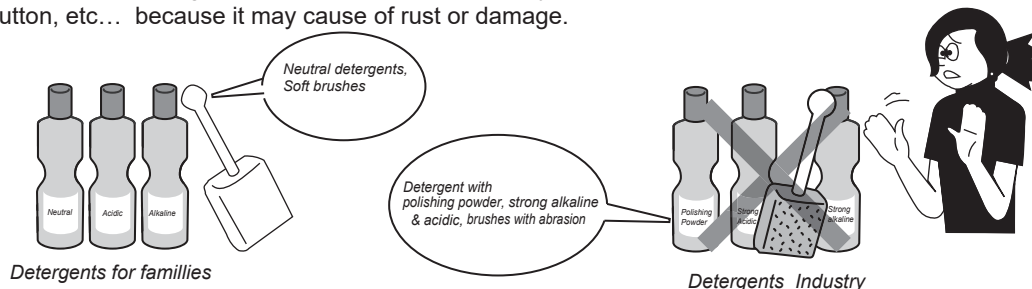


Please use neutral detergents or normal-use detergents for families which is acidic or alkaline. But in order to remain long-lasting effect of AQUACERAMIC, please **DO NOT** use the following detergents for ceramic because it will scratch the surface, glaze will be decayed.

- Strong alkaline detergent with pH≥11.
- Detergent with polishing powder.
- Rubbing brushes with abrasion.

**DO NOT** use strong acidic detergents (pH≤2.) because it may damage to the parts .

Note: Do not let the detergent splash over areas, especially metal parts such as fixed set for S&C/toilet, stop valve, flexible hose hand lever, button, etc... because it may cause of rust or damage.



**TROUBLE SHOOTING GUIDE**

Using this guide and referring to the accompanying instructions should help you solve most common problems encountered.

Problem	Possible Cause	To Correct
<b>Poor flushing action</b>	a. Water level in tank is below prescribe level. b. Flush valve mechanism in tank closes too quickly or does not open. c. Flush handle or button needs replacing. d. Water pressure is too low. e. Partially clogged trap way and / or drainpipe. f. Cleanser used in tank deposits residue. g. No air vent.	a. Set to prescribed level. b. Make sure there are no any material stuck to outlet components. c. Replace. d. Nomal water supply pressure must at least 20 psi. e. Use a plunger or toilet augur to unclog. f. Clean out tank and cease using the cleanser. g. Install air vent per instructions.
<b>Water won't stop running</b>	a. Water level in tank is higher than overflow pipe. b. Turn off the water supply if water continues to flow into the bowl until the flush valve seat and / or rubber seal disk are worn or deformed. c. Turn off the water supply valve if water continues to flow into the bowl until the water level falls to the level of the overflow pipe, sand or debris may be clogged in the water control mechanism. d. Flush valve string is too tight, holding the flush valve open. e. Button needs replacing	a. Adjust the cylinder to maintain the water at the prescribed level. b. Replace seat, rubber seal disk, or complete assembly, as needed. c. Shut off water supply valve. Remove top cap of water control. Clean and reassemble, or replace plunger. d. Replace flush valve unit. e. Replace button.
<b>Water supply hose leaks</b>	a. Improper installation. b. Water pressure is too high.	a. Reinstall, according to instructions. b. Water pressure must not exceed 80 psi.

**SAFETY PRECAUTIONS**

- Read the instructions carefully before beginning.
- Cautions and notes below if not complied may lead to serious damage. Therefore, please follow strictly.
- After finishing installation, check out whether the facility operates properly or not. If possible, customer should to keep this instruction as reference in the future.

**⚠ ATTENTION**

\* Before installation, please check the product again for cracks or breaks during delivery  
 \* Be sure to test operation and check for any breaks, cracks after installation has been completed.  
 \* Any cracks may cause injury, damage, leakage or dirty the floor.

**🚫** - Do not overtighten bolts.  
 Porcelain is subject to cracking, which may cause injury to installing person or users.

**CARE AND MAINTERNANCE**

- Do not use haesh abrasives or caustic clean fixture surface. A mild detergent, warm water ,and a soft cloth will remove normal dirt and soap accumulations from fitting and surfaces.Rinse thoroughly after cleaning and polish with a soft dry cloth to restore original luster of material
- **Notice:**  
 Do not use cleaners in tanks. Products containing chlorine (calcium hypochlorite) can seriously damage fitting in the tank. This damage can cause leakage and poperty damage.

**PRODUCT WARRANTY**

If inspection of this product, within the warranty time after purchasing, confirms that its defective of a similar model under normal use in material or workmanship. We will repair or, at its option exchange the product.

1. None any documentary evidences to show the period of warranty such as receipt, warranty card,.
2. Consequential or incidental damages.
3. Defects or damages arising from shipping, installation, alternation, accidents, misuse or lack of proper maintenance.
4. Postage or shipping costs incurred in returning products for repair or replacement under this warranty and any labor or other costs of removal or installation of products under this warranty.
5. Discontinuous products.

# 水瓷超净产品使用指导

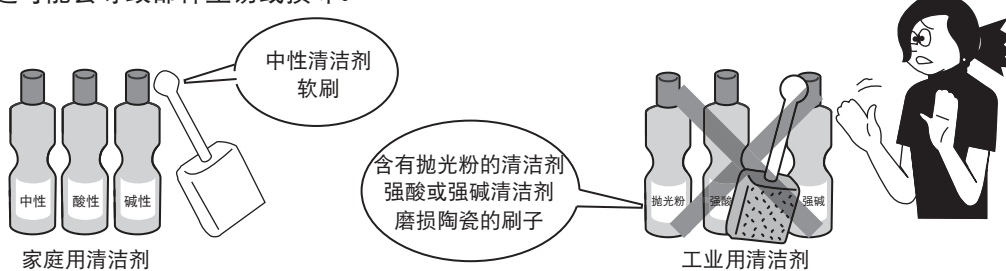
请使用中性清洁剂或家庭常用酸碱清洁剂。

为了保持水瓷超净的持久效果，请**不要**使用以下陶瓷清洁剂，它们会划伤陶瓷釉面，毁坏釉料。

\* 强碱性清洁剂：PH≥11。 \* 含有抛光粉的清洁剂。 \* 可能会磨损陶瓷的刷子。

**切勿**使用强酸性清洁剂（pH≤2），它将损坏产品。

**注意：**请勿将清洁剂溅到其他区域，尤其是金属部件，如座厕盖板的固定装置，截止阀，软管，侧板，顶按等……，因为这可能会导致部件生锈或损坏。



## 一般故障排除指南

使用本指南并参考随附说明可帮助您解决遇到的最常见问题。

问题描述	潜在原因	解决办法
冲水不良	a. 水位线比要求的低 b. 冲水阀关闭过快或没打开 c. 冲水按钮损坏需更换 d. 水压过低 e. 座厕排污水道或排污管堵塞 f. 清洁剂残留物沉积在水箱内 g. 楼房无管道排气孔	a. 重新调整水位至正确水位线 b. 检查有无脏物附着在出水阀 c. 更换 d. 正常水压必须高于20psi e. 清理堵塞 f. 清洁水箱并停止使用清洁剂。 g. 安装管道排气孔
漏水	a. 水位过高，高于水件溢水口 b. 关闭进水角阀，若水仍不断渗入座厕，检查冲水阀是否变形，或橡胶密封不良 c. 关闭进水阀，水位线低于水件溢水口，若水仍不断渗入座厕，进水阀止水阀内可能有脏物 d. 冲水阀气管太窄，保持冲洗阀打开状态 e. 冲水按钮需更换	a. 重新调整水位至正确水位线 b. 更换或调整橡胶密封圈或根据需要更换冲水阀 c. 关闭进水阀，卸下进水阀塑料帽，清洁后重新安装或更换止水阀阀芯 d. 更换冲水阀单元 e. 更换按钮
进水管漏水	a. 安装不良 b. 水压过高	a. 根据安装说明重新安装 b. 水压不得超过80psi



## 安全须知

- 安装前请仔细阅读此说明书。
- 如果不遵守如下注意事项，可能会导致严重安全事故。因此，请严格遵守：
- 安装完成后，请检查产品是否正常运行。
- 客户应尽可能保留此说明作为以后的参考。

### 注意



- \* 安装前，请再次检查在交付期间产品是否有裂缝或损坏。
- \* 安装完成后，请确保试用产品，并检查产品是否有任何裂缝或损坏。
- \* 产品出现任一裂缝都可能导致人身伤害、产品损坏、污物泄漏弄脏地板。



请勿过度拧紧螺栓。  
陶瓷本体易开裂，可能会对安装人员或用户造成伤害。

## 维护保养须知

不要使用刺激性或腐蚀性研磨剂清洁产品表面。温和的洗涤剂，温水和软布可以清洁产品表面和配件上的污垢。清洁后彻底冲洗并用柔软的干布擦干，使产品恢复原有的光泽。

注意：不要在水箱中使用清洁剂，含氯（次氯酸钙）的产品会严重损坏配件。骊住公司对于此类损坏概不负责。中国市场产品质保以“产品质量保证书”为准。

## 型号清单

冲洗水量：3.0/4.5 升  
 额定用水效率等级：1 级  
 标准号：GB25502-2017

整体型号：CC060201-6DFC0-AN  
 座便器水箱：CT060201-6DFC1  
 座便器底座：CC060201-6DFC1-A  
 座便器盖板：CF060201-6DFC0-N

整体型号：CC060202-6DFC0-AN  
 座便器水箱：CT060202-6DFC1  
 座便器底座：CC060202-6DFC2-A  
 座便器盖板：CF060201-6DFC0-N



扫一扫，  
精彩活动随时享！

售后热线：400 821 8661

立即订购：www.inax.com.cn