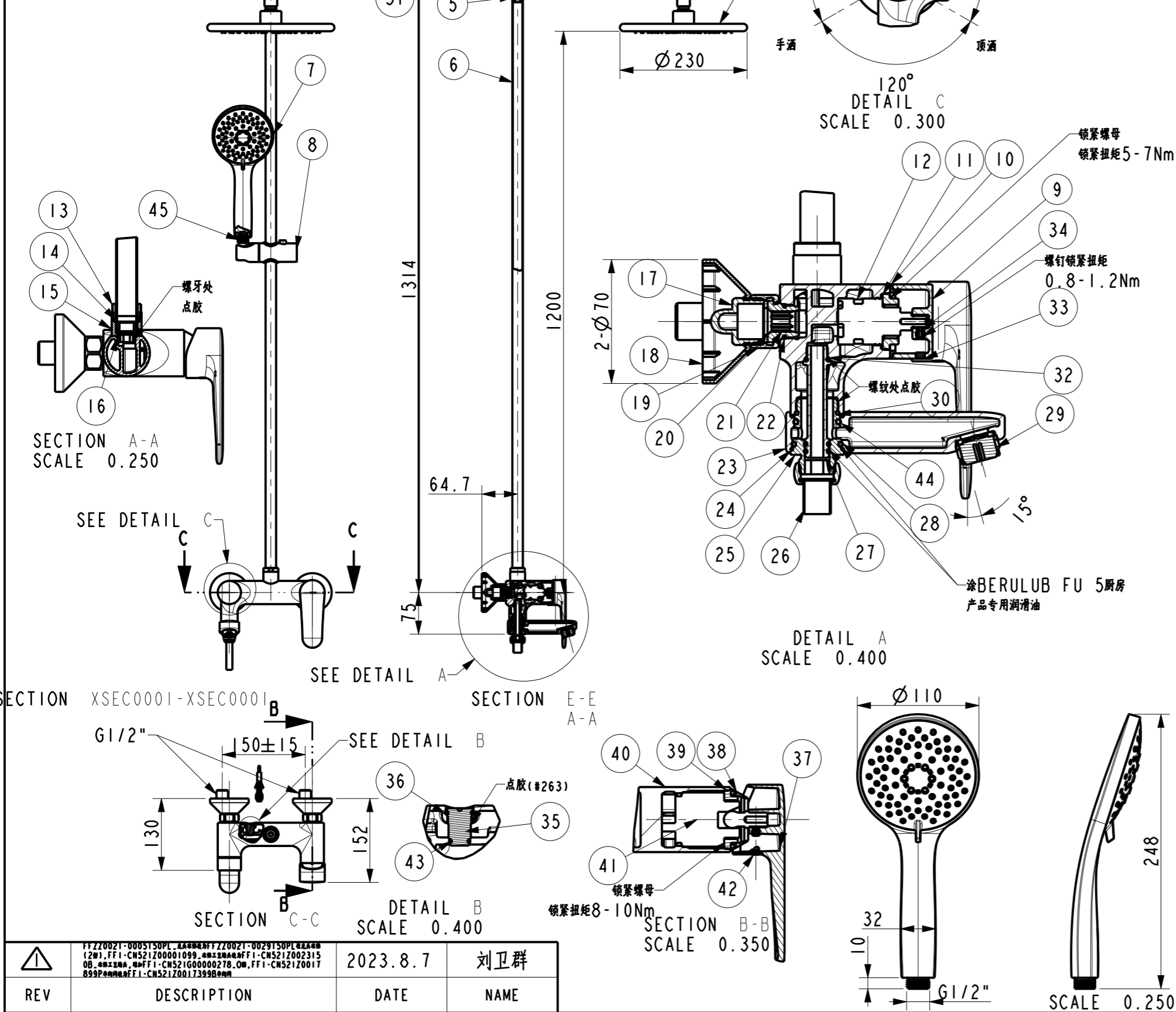


Tolerance, Unless Otherwise Stated, Is			
Above 0.5 to and including 6	±0.1	6	
Excess 6 to and including 30	±0.2	30	
Excess 30 to and including 120	±0.3	120	
Excess 120 to and including 315	±0.5	315	
Excess 315 to and including 1000	±0.8	1000	
Excess 1000 to and including 2000	±1.2	2000	



技术要求

- 1、产品性能符合《W110.0504 内控检验标准陶瓷片密封水嘴 通用》
- 2、涂胶水参照《W109.0519 组装常用胶水操作规范》
- 3、O环涂润滑油PMX200;
- 4、产品的包装使用越南伊奈专用包装内盒。

NO.	Part No.	Description	Material	QTY	Remark
45	FF1-CN521Z0017399B	节流单向阀12L	Assem	1	
44	FF1-CN521G00000130	1581215499\O型圈 ?21*2.5	NBR70	1	
43	FF1-CN521G00000278	158A912711\O环 (9.00 X 1.50)	NBR70	1	
42	FF1-CN521Z00000086	1580970499\托尼克红蓝柱塞	ABS	1	
41	FF1-CN521C00001399	C35G-1高脚阀芯 (N35HSW)	Assem	1	
40	FFZZ0021-0029150PL	筒雅三路淋浴柱龙头本体(2型)	GkMs60Fk	1	镀铬
39	FF1-CN521N00000091	1580664199\迈阿密入墙式浴缸水嘴锁紧螺母 (6032)	Hpb59-1	1	
38	FF1-CN521F00000042	1580727050\新摩登挂墙浴缸龙头顶盖	ABS	1	镀铬
37	FF1-CN521L00000197	A51单孔脸盆龙头把手	ZZnA14-1	1	镀铬
36	FF1-CN521G00000276	158A912707\O环 φ10*φ2	NBR70	1	
35	FF1-CN521W00000150B	筒雅三路淋浴柱本体工艺堵头	Hpb59-1	1	镀铬
34	FF1-CN521N00000175	1581838099\皂盘内六角螺钉 M5*5	SUS304	1	
33	FF1-CN521Z00000319	158A907239\希丽亚台面式浴缸把手孔塞(A907239)	NBR70	1	
32	FF1-CN521G00000115	1581213099\O型圈 8*2	NBR70	2	
31	FF1-CN521N00000899	内六角凹面端紧定螺丝M5X6	SUS304	2	
30	FF1-CN521F00000319	158E912762\O环 20×2 (E912762)	NBR70	1	
29	FF1-CN521A00000050	M24X1浴缸起泡器组件 ((40.2007.03300)	Assem	1	镀铬
28	FF1-CN521G00000333	158K612202\O环(20X2.7)	NBR70	1	
27	FF1-CN521J00001699	花洒出水接管	Hpb59-1	1	
26	FF1-CN521T00000025	1582006150\不锈钢防缠绕花洒软管-1.5m	Assem	1	
25	FF1-CN521J00001550	出水口锁紧接头	Hpb59-1	1	镀铬
24	FF1-CN521G000001299	A52出水口塑料垫圈	ABS	2	
23	FFZZ0021-0005250PL	筒雅三路淋浴柱出水嘴	GkMs60Fk	1	镀铬
22	FF1-CN521G00000112	1581212699\O型圈 ?15.6*1.78	NBR70	2	
21	FF1-CN521W00000048	1590463399\密封口,完成品-除铅	SUS304	2	
20	FF1-CN521G00000341	158A913204\平垫片φ24*φ15*2(A913204)	NBR70	2	
19	FF1-CN521N00000291	1590488250\六角螺母-G3/4inch,镀铬	Hpb59-1	2	镀铬
18	FF1-CN521F00000094	1580800550\2000孔罩 镀铬	ABS	2	镀铬
17	FF1-CN521J00000242	1581927250\小S形接管 1/2*3/4 镀铬	SUS304	2	
16	FF1-CN521G00000121	1581213699\O型圈 ?12.3*2.3	NBR70	1	
15	FF1-CN521G000002299	梯型密封圈	NBR70	1	
14	FF1-CN521J000007150	花洒管出水接头	Hpb59-1	1	镀铬
13	FF1-CN521N000001950	淋浴柱锁紧螺母	Hpb59-1	1	镀铬
12	FF1-CN521C00000399	26#三切换阀芯 (D26PF3)	Assem	1	
11	FF1-CN521N00000006	1580225599\菲图单孔面盆龙头阀芯锁紧螺母	Hpb59-1	1	
10	FF1-CN521G000001199	A52切换把手塑料垫圈	POM	1	
9	FF1-CN521L00000650	A52切换阀把手(Mass)	ZZnA14-1	1	镀铬
8	FF1-CN521H00000095	1580453750\滑动花洒支管φ34	Assem	1	镀铬
7	FF1-CN521H00000076	1585208750\逸韵多功能手握花洒(P75500)	Assem	1	镀铬
6	FF1-CN521X0025150S	不锈钢淋浴柱花洒直管焊接组件 (L=1060mm)	Assem	1	镀铬
5	FF1-CN521G00000289	158A912763\O环 φ11*φ1.5	NBR70	1	
4	FF1-CN521X00000012	1581742899\十字盘头自攻螺钉组件	Assem	1	
3	FF1-CN521J000009150	固定墙座	Hpb59-1	1	镀铬
2	FF1-CN521X0025050S	不锈钢淋浴柱弯管焊接组件 (L=300mm带墙座)	Assem	1	镀铬
1	FF1-CN521H00000099	1582308850\230进气式镀铬圆形花洒头	Assem	1	镀铬

DESIGNED	刘卫群	2023.8.7	TITLE
CHECKED	段光斌	2023.8.7	REF
APPROVED	李海龙	2024.3.7	筒雅三路出水淋浴组合
SCALE	MATERIAL	WEIGHT	DWG NO.
0.125	Assembly	[.0]	FFAS9089-100500BC0



REV	DESCRIPTION	DATE	NAME
△	FFZZ0021-0005150PL_2A***FF1ZZ0021-0029150PL_2A*** (2M),FF1-CN521Z00001099_***FF1-CN521Z0023150B_***FF1-CN521G00000278_0m,FF1-CN521Z0017399B***FF1-CN521Z0017399B***	2023.8.7	刘卫群