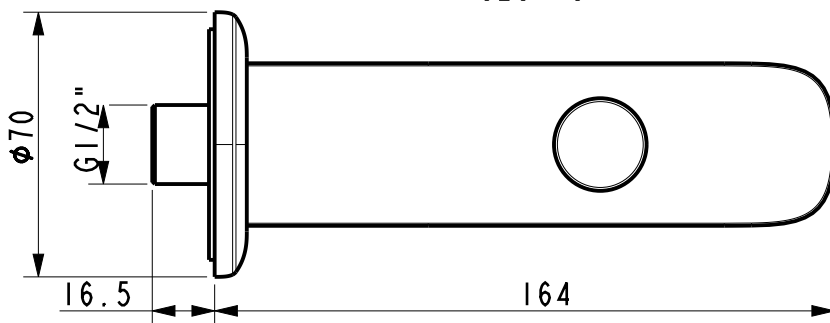
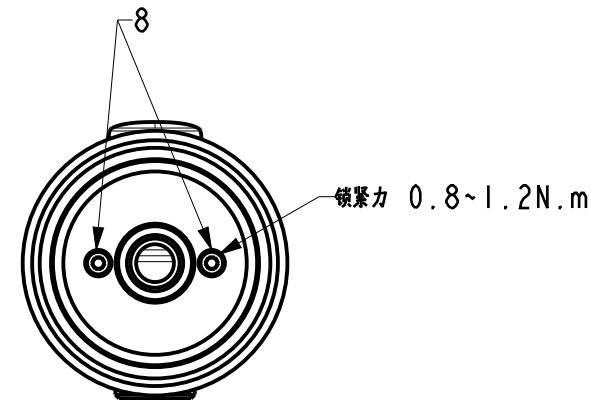
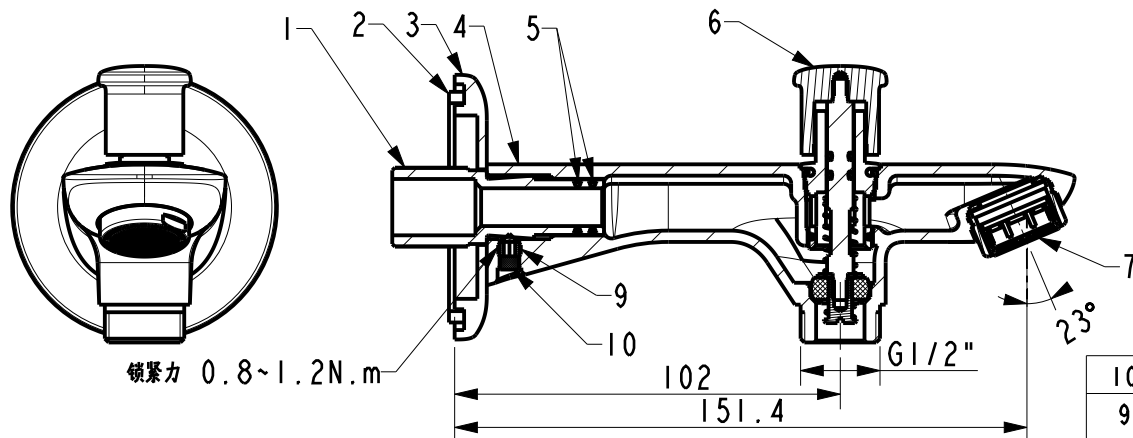
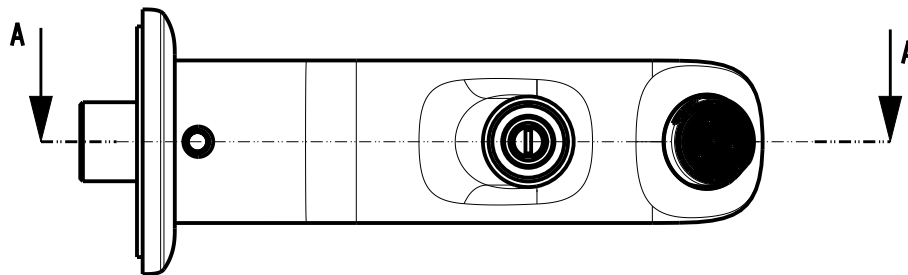


Tolerance, Unless Otherwise Stated. Is			
Above	0.5 to and including	6	±0.1
Excess	6 to and including	30	±0.2
Excess	30 to and including	120	±0.3
Excess	120 to and including	315	±0.5
Excess	315 to and including	1000	±0.8
Excess	1000 to and including	2000	+1.2



NO.	Part No.	Part Name	QTY	Material	Remark
10	G-01050031	Ø6, 5橡胶把手孔塞	1	TPE	灰色
9	FFI-CN521N00000229	米仑吉入墙式脸盆内六方螺钉(M6*8)	1	SUS304	
8	FFI-CN521N00000272	M4X10螺丝	2	SUS304	
7	FFI-CN521A00000050	M24X1浴缸起泡器组件	1	Assembly	
6	4211680000	洛文入墙出水口换向阀	1	Assembly	
5	FFI-CN521G00000289	O环Ø11*Ø1.5	2	NBR	黑色
4	4215990000	洛文入墙式出水嘴本体	1	GKMs60FK	抛光镀铬
3	4234730000	洛文入墙出水口装饰盖	1	Hpb59-1	抛光镀铬
2	FFI-CN521G00000230	入墙面板胶套(海绵垫)	1	EVA	黑色
1	4211699990	进水接头	1	Hpb59-1	本色

DESIGNED	刘卫群	2024.6.30	TITLE
CHECKED	田光强	2024.6.30	REF
APPROVED	李军志	2024.6.30	洛文入墙出水口(带切换阀)
SCALE	MATERIAL	WEIGHT	DWG NO.
1:2	Assembly		FFAS9717-000500BF0

REV	DESCRIPTION	DATE	NAME