

## Acacia Evolution

---

Round Vessel

CL0509I-6DACTLA



### FEATURES

- Proguard Technology
- Easy to Clean
- Overflow hole on front position

### SPECIFICATIONS

- Faucet Hole: Without faucet hole
- Basin Dimensions: W400mm x L400mm x H181mm
- Material: Vitreous China

### COLOR AVAILABILITY

- White (WT)

### INCLUDED COMPONENTS

- Overflow plug
- Installation Template

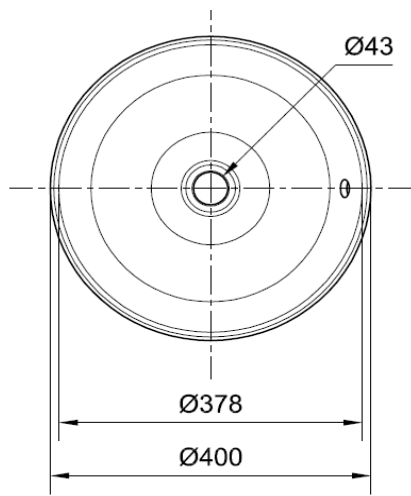
### SHIPPING WEIGHT

- Net Weight: 9.9 KG
- Gross Weight: 11.9 KG

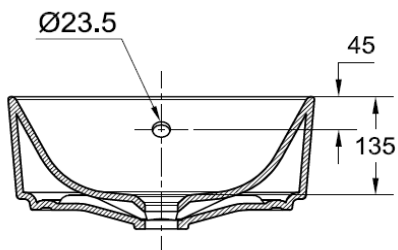
### STANDARDS CRITERIA

- TIS Standard
- EN Standard
- ASME Standards

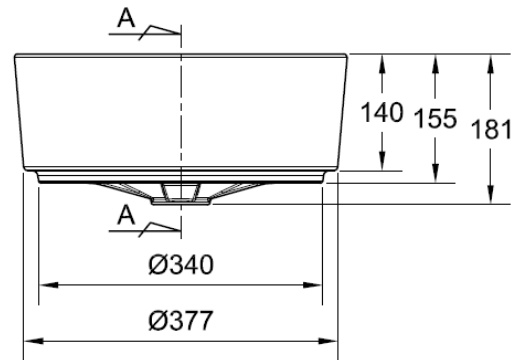
## DIMENSIONAL DRAWING



TOP VIEW



SECTION A-A



FRONT VIEW

This document is the property of American Standard. It can neither be reproduced, nor communicated, without authorization.

American Standard reserves the right to change dimensions and specifications without notice; we assume no liability for the use of obsolete dimensions.