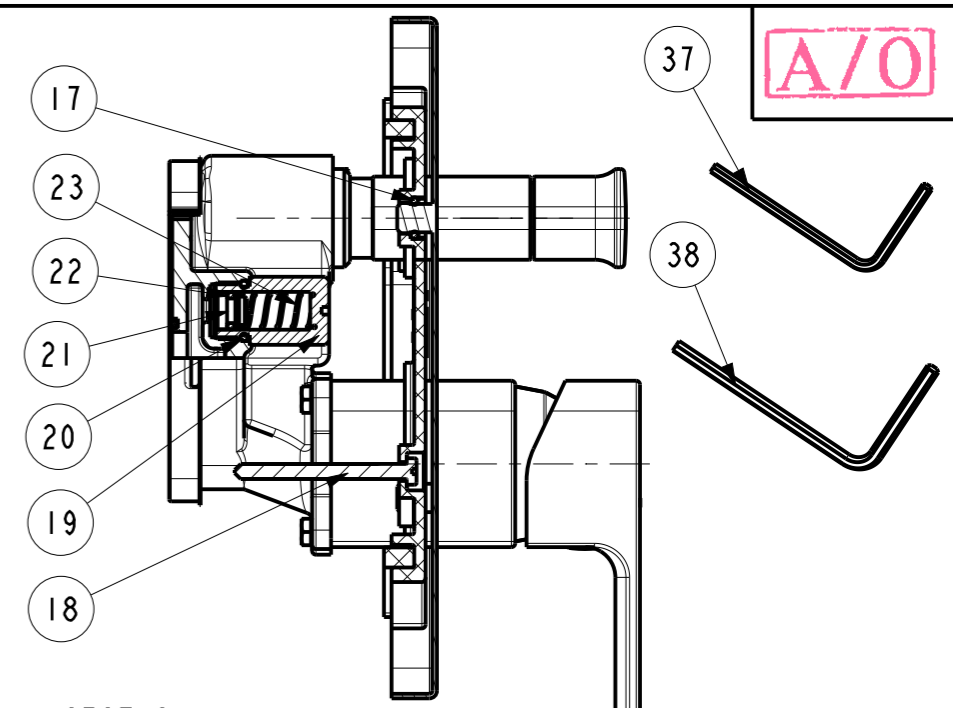
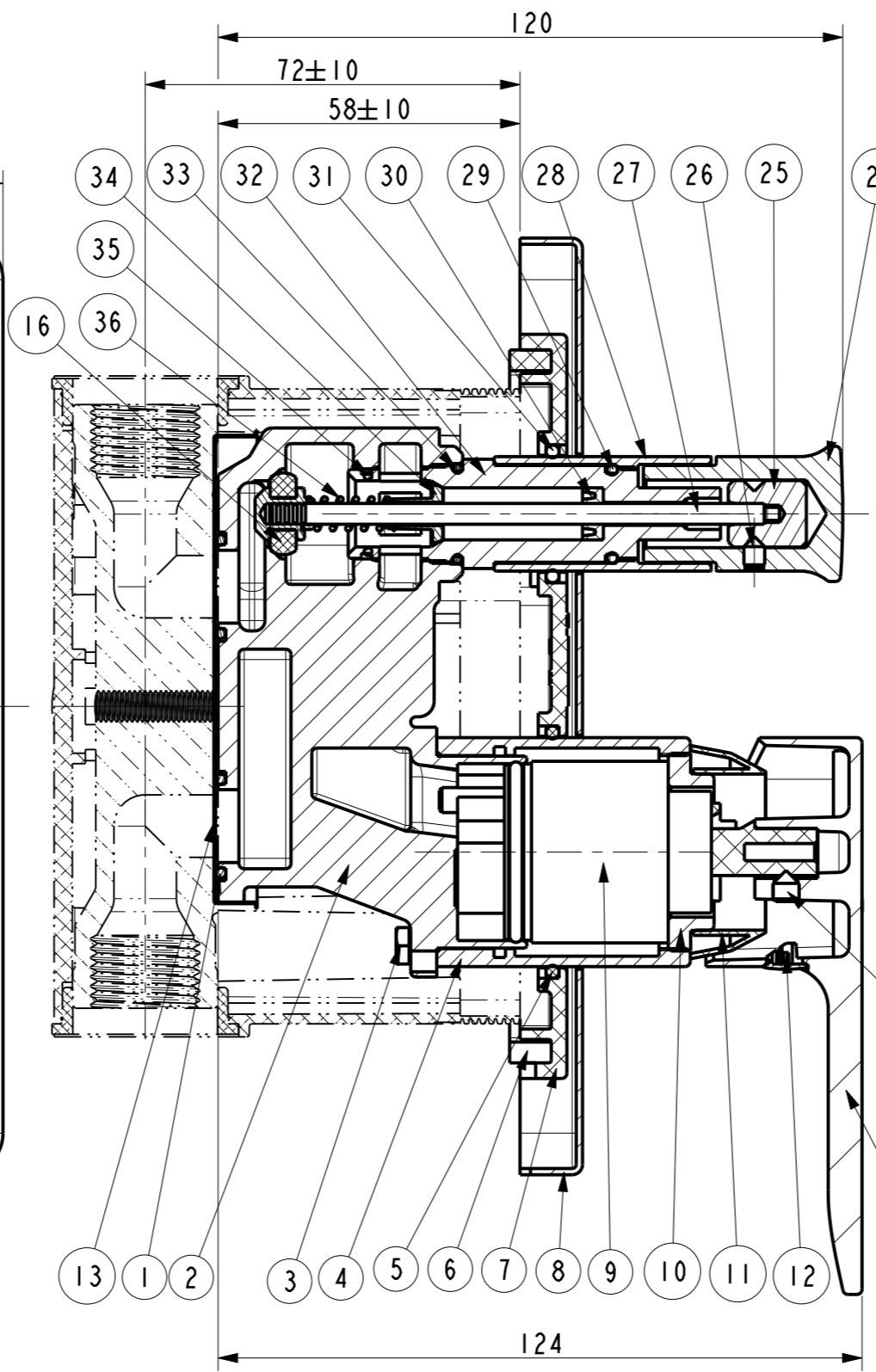
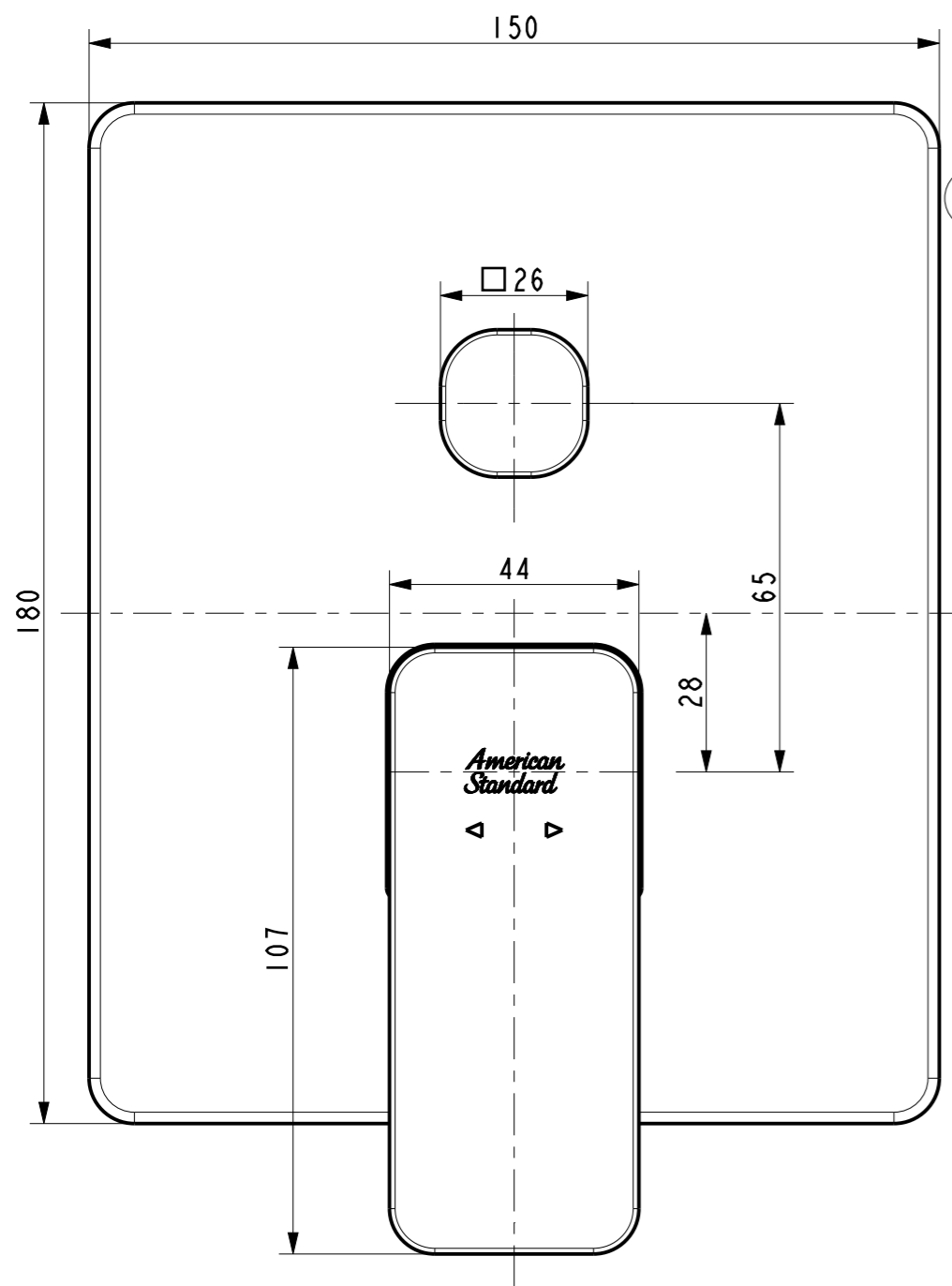


A70

Tolerance, Unless Otherwise Stated, Is			
Above 0.5 to and including 6	±0.1		
Excess 6 to and including 30	±0.2		
Excess 30 to and including 120	±0.3		
Excess 120 to and including 315	±0.5		
Excess 315 to and including 1000	±0.8		
Excess 1000 to and including 2000	±1.2		



SECTION B-B
SCALE 0.500

38	FF1-CN521Z00000254	1582361599\H01入墙式混水阀内六方扳手	1	Q235-A	
37	FF1-CN521Z00000253	1582361499\六方扳手 (对边2.0)	1	Q235-A	
36	FF1-CN521Z00000178	1581601799\科丽换向阀组件弹簧	1	SUS304	
35	FF1-CN521G00000113	1581212799\O型圈 13.5*1.5	1	NER	
34	FF1-CN521Z00000441	1592328499\定位套Φ11*11, 完成品	1	POM	
33	FF1-CN521G00000257	158A912644\O环15.6*1.78 (A912644) (特) (BLATT)	1	NER	
32	FF1-CN521T00000045	158030545A\新典入墙式通用型切换阀座	1	HPt69-1	
31	FF1-CN521G00000385	1581270499\A41切换阀铜套密封圈	1	NER	
30	FF1-CN521G00000354	1591195599\U型密封圈-Φ11.7*4, 完成品	1	NER	
29	FF1-CN521G00000110	1581212199\O型圈 Φ14*2	1	NER	
28	FF1-CN521DA000555	A41入墙切换阀铜套 温暖金	1	HPt69-1	温暖金
27	FF1-CN521X00000077	1585940299\换向杆组件(换向杆+底座)	1	Assembly	
26	FF1-CN521N00000128	锁紧螺钉 M4*0.7	1	SUS304	
25	FF1-CN521T00000158	1580931999\新典入墙式切换阀连接套	1	HPt69-1	
24	FF1-CN521LD000194	A41入墙切换阀把手 温暖金	1	ZZnAl4-1	温暖金
23	FF1-CN521Z00000172	1581600099\淋浴柱切换专用弹簧	2	SUS304	
22	FF1-CN521G00000322	158E912775\O环 6*2 (E912775)	2	NER	
21	FF1-CN521T00000360	1582387999\入墙式通用盒安全装置-活塞	2	HPt69-1	
20	FF1-CN521G00000288	158A912682\O环 (Φ11.2*2.0)	2	NER	
19	FF1-CN521T00000359	1582387799\入墙式通用盒安全装置-汽缸	2	HPt69-1	
18	FF1-CN521N00000240	158A918564\US感应龙头'和B'面板螺钉	4	SUS304	
17	FF1-CN521G00000291	158A912789\O环(7X2) (Water Mark)	4	NER	
16	FF1-CN521G00000347	1591176199\密封圈Φ15.8*5, 完成品	1	NER	
15	FF1-CN521N00001099	内六角凹面端紧定螺丝M5X6 (机加工)	1	SUS304	
14	FF1-CN521LD000199	新阿卡西亚洲冷把手 (无红蓝标识)-温暖金	1	ZZnAl4-1	温暖金
13	FF1-CN521K00000037	1582242499\入墙上本体通用保护泡壳	1	PVC	
12	FF1-CN521Z000049DA	把手孔塞 温暖金	1	PA	温暖金
11	FF1-CN521F00040DAP	阿卡西亚洲孔顶盖 (改进型) 温暖金	1	ABS	温暖金
10	FF1-CN521N00000091	1580664199\迈阿密入墙式浴缸水嘴锁紧螺母	1	HPt69-1	
9	FF1-CN521C0003599P	C353高脚阀芯(MC-35B)	1	Assembly	
8	FF1-CN521FDA000279	A41入墙浴缸龙头面板 温暖金	1	H62	温暖金
7	FF1-CN521F00000277	1580773999\A41入墙浴缸龙头固定板	1	ABS	
6	FF1-CN521K00000034	新典入墙面板胶套(海绵垫) 4#8*57Qmm	1	E.V.A	
5	FF1-CN521G00000364	1581270399\A41阀芯铜套密封圈	1	NER	
4	FF1-CN521DA000554	A41入墙龙头阀芯铜套 温暖金	1	HPt69-1	温暖金
3	FF1-CN521Z00000193	1581722599\六角头螺栓M4X10	4	SUS304	
2	FFZ20621-60850EIMC	1580046999.MC\新典入墙式浴缸龙头上本体, 加工件	1	ClkM60Plc	
1	FF1-CN521G00000152	1581219799\O型环 16*2 (612145)	4	NER	

SECTION A-A

DESIGNED	区振锋	20230601	TITLE	For Universal Box
CHECKED	利华斌	20230601		
APPROVED	李东	2023.6.1		新阿卡西亚洲入墙式浴缸龙头控制阀_温暖金
SCALE	MATERIAL	WEIGHT		
0.800		[.0]	FFAS1321-608DA0BF0	American Standard

REV	DESCRIPTION	DATE	NAME