

Concept Square

Basin Mixer with Pop-up Drain
FFAS0401-101500BF0



FEATURES

- A grade brass, strong and durable
- High quality ceramic valve for longer usage
- Ceramic cartridge tested = 500,000 times
- Neoperl aerator 2.2 GPM
- With pop-up drain
- With normal packaging
- Flow rate @ 0.1MPa: 3.0 L/min for spout

SPECIFICATIONS

- Lever handle (cold & hot)
- Spout Reach: 125 mm
- Spout Height: 70 mm

FINISHES AVAILABILITY

- Chrome (- CP)

SHIPPING WEIGHT

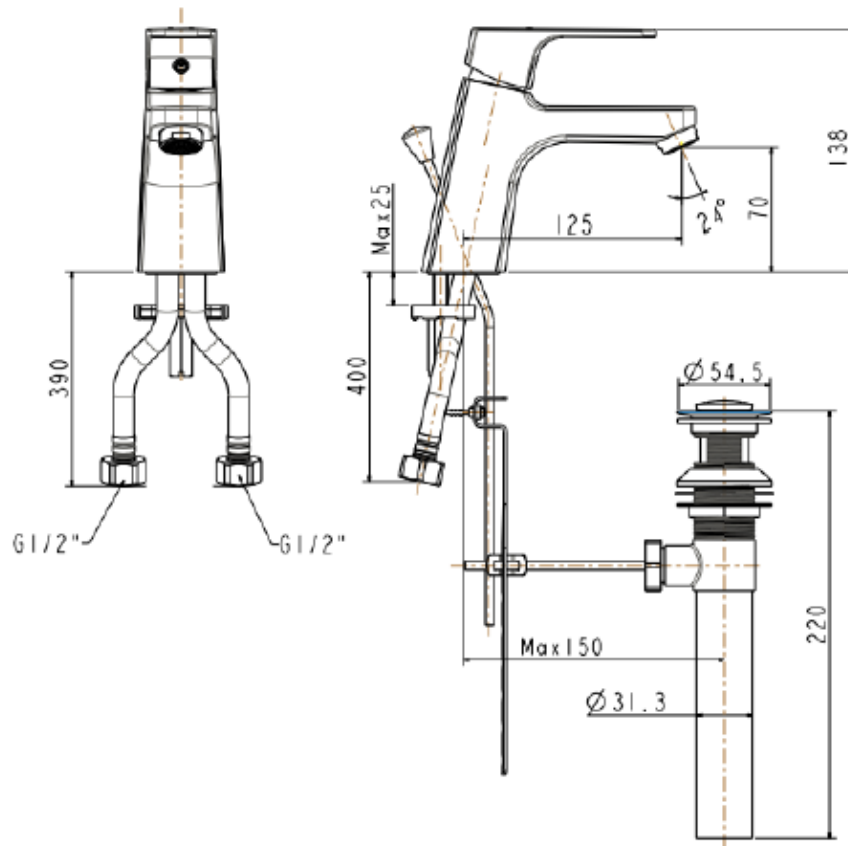
- Net Weight: 1.7 KG
- Gross Weight: 1.9 KG

STANDARDS CRITERIA

- GB 18145-2014

American Standard

DIMENSIONAL DRAWING



This document is the property of American Standard. It can neither be reproduced, nor communicated, without authorization.

American Standard reserves the right to change dimensions and specifications without notice; we assume no liability for the use of obsolete dimensions.