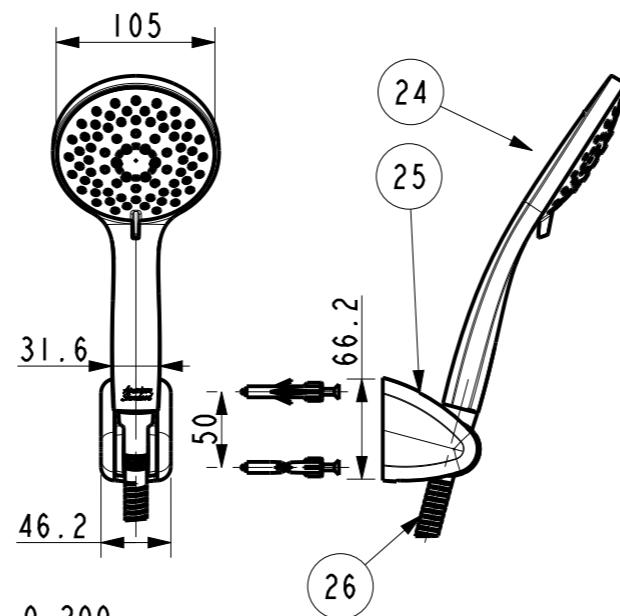
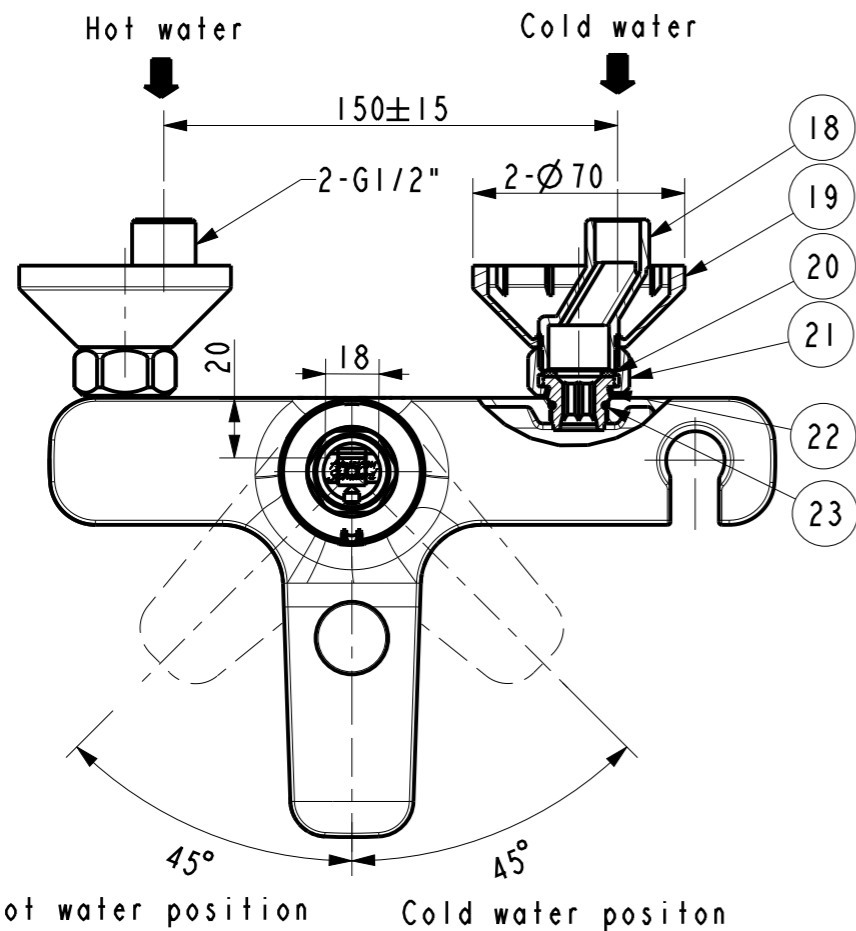
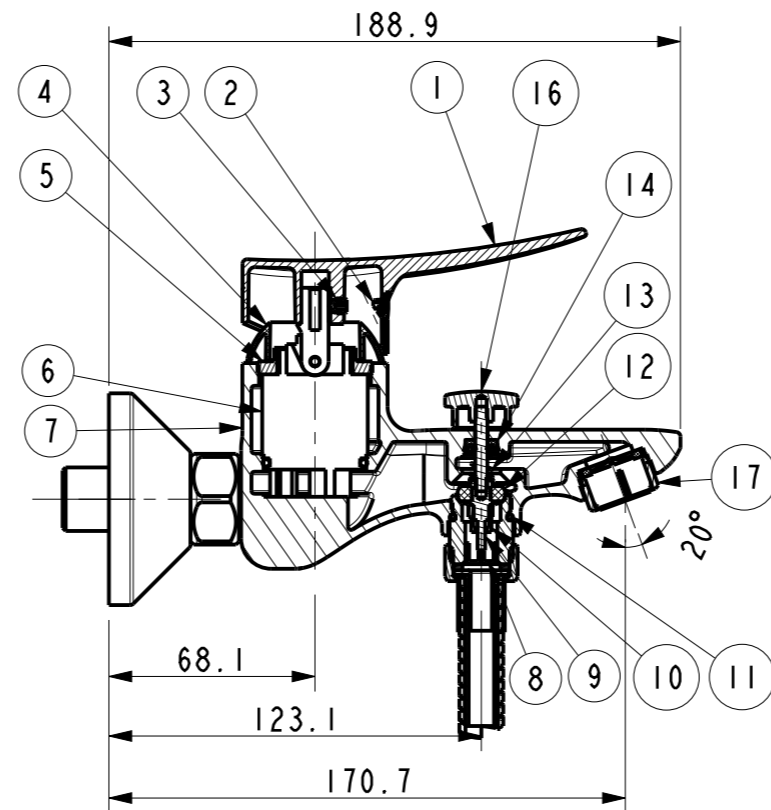
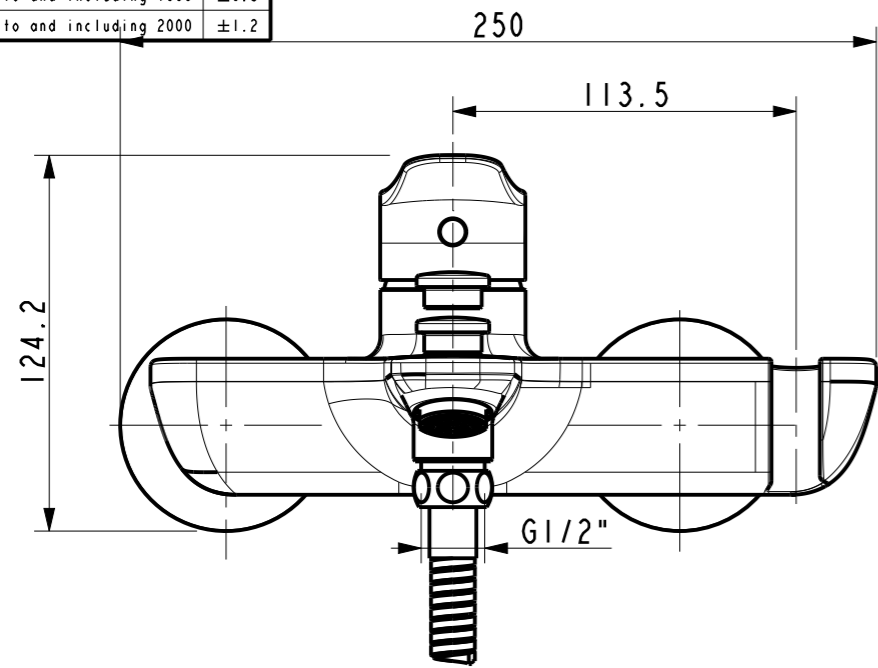


Tolerance, Unless Otherwise Stated, Is			
Above	0.5 to and including	6	±0.1
Excess	6 to and including	30	±0.2
Excess	30 to and including	120	±0.3
Excess	120 to and including	315	±0.5
Excess	315 to and including	1000	±0.8
Excess	1000 to and including	2000	±1.2



SCALE 0.200

NO.	PART NO.	PART NAME	QTY
26	FF1-CN521T00000025	Shower Hose(1.5M)	1
25	FF1-CN521H00000001	Shower Hanger (M40280)	1
24	FF1-CN521H00000076	La Moda 5-functions Hand Shower	1
23	FF1-CN521G00000112	O-Ring 15.6*1.78	2
22	FF1-CN521W00000048	THREADED NIPPLE,N	2
21	FF1-CN521N00000291	NUT-G3/4inch,Cr	2
20	FF1-CN521G00000341	Washer Φ24*Φ15*2(A913204)	2
19	FF1-CN521F00000094	2000 Escutcheon(Cr)	2
18	FF1-CN521J00000242	Small S Con Tube (Cr)	2
17	FF1-CN521A00000050	Aerator for Korean Market(01.2413.0)	1
16	FF1-CN521J00000495	Button of Divertor for Acacia	1
14	FF1-CN521G00000325	U-Packing(12*4.5*3.9)	1
13	FF1-CN521Z00000414	158K615325\Spring	1
12	FF1-CN521G00000347	RUBBER GASKET,N	1
11	FF1-CN521G00000152	O Ring 16*2	1
10	FF1-CN521G00000338	158K618322\Washer	1
9	FF1-CN521J0023320B	Acacia switch vave type II	1
8	FF1-CN521J00000517	Connect Nut for Acacia Expose	1
7	FFZZ0911-60150BDPL	Body for Milano Exposed BnS F	1
6	FF1-CN521C0003599P	C35G High Foot Cartridge (KC-35B)	1
5	FF1-CN521N00000091	Lock Nut for Minimalistic	1
4	FF1-CN521F00000026	Cartridge Cover For Active Exposed BnS	1
3	FF1-CN521N00001099	In-Hex Screw M5*6 (Machine)	1
2	FF1-CN521Z00000086	Index Button for TONIC Fitting line	1
1	FF1-CN521L00000045	Handle for New Mass SH	1

DESIGNED			TITLE
CHECKED			REF
APPROVED			Milano Exposed Bath & Shower Mixer with Shower Kit
SCALE	MATERIAL	WEIGHT	DWG NO.
2:5	Assembly		FFAS0911-602500BF0

**American
Standard**

REV	DESCRIPTION	DATE	NAME