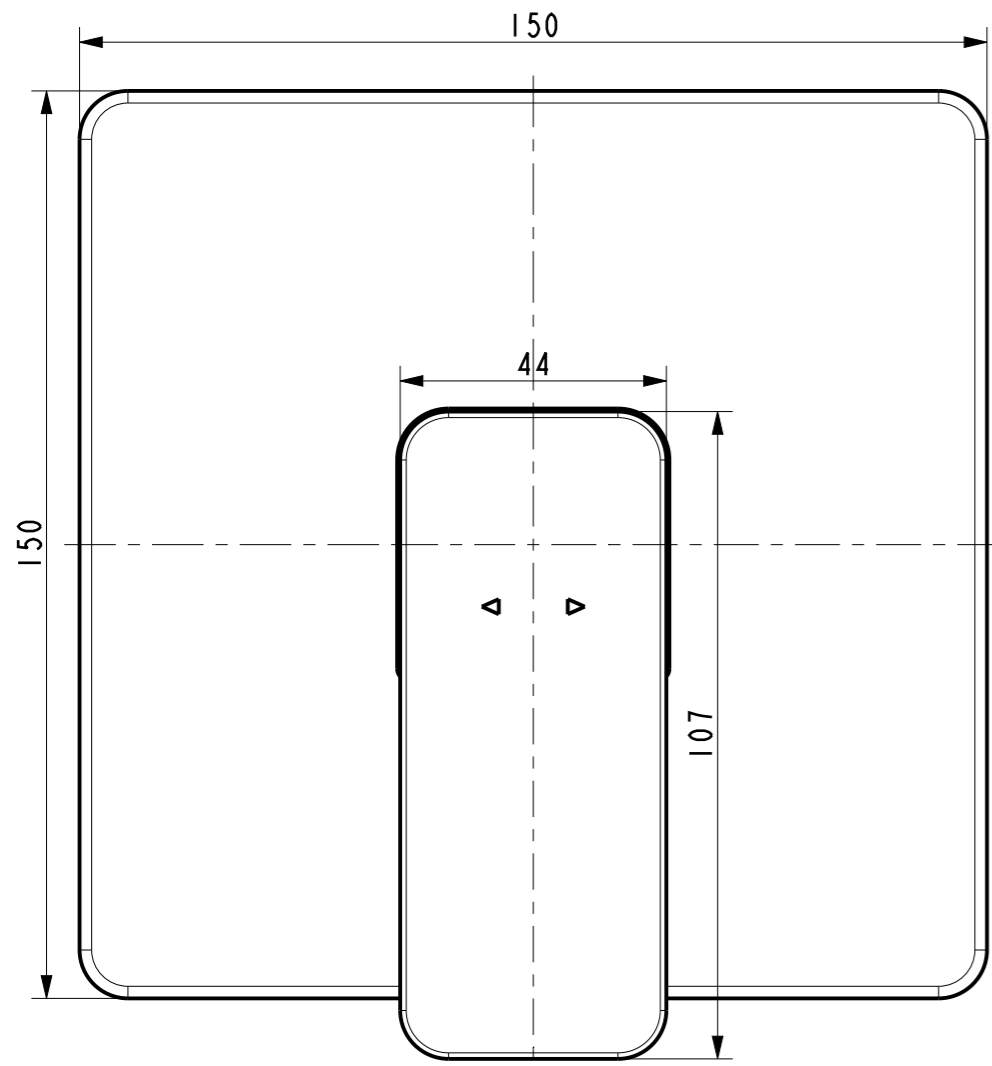
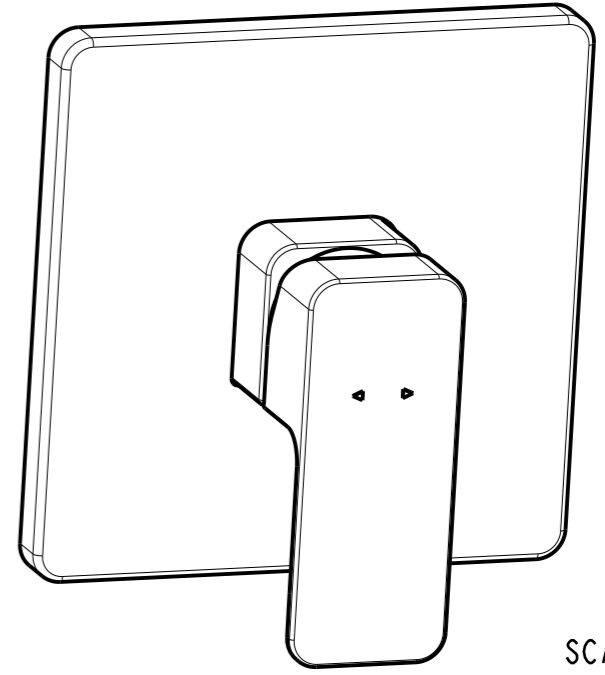
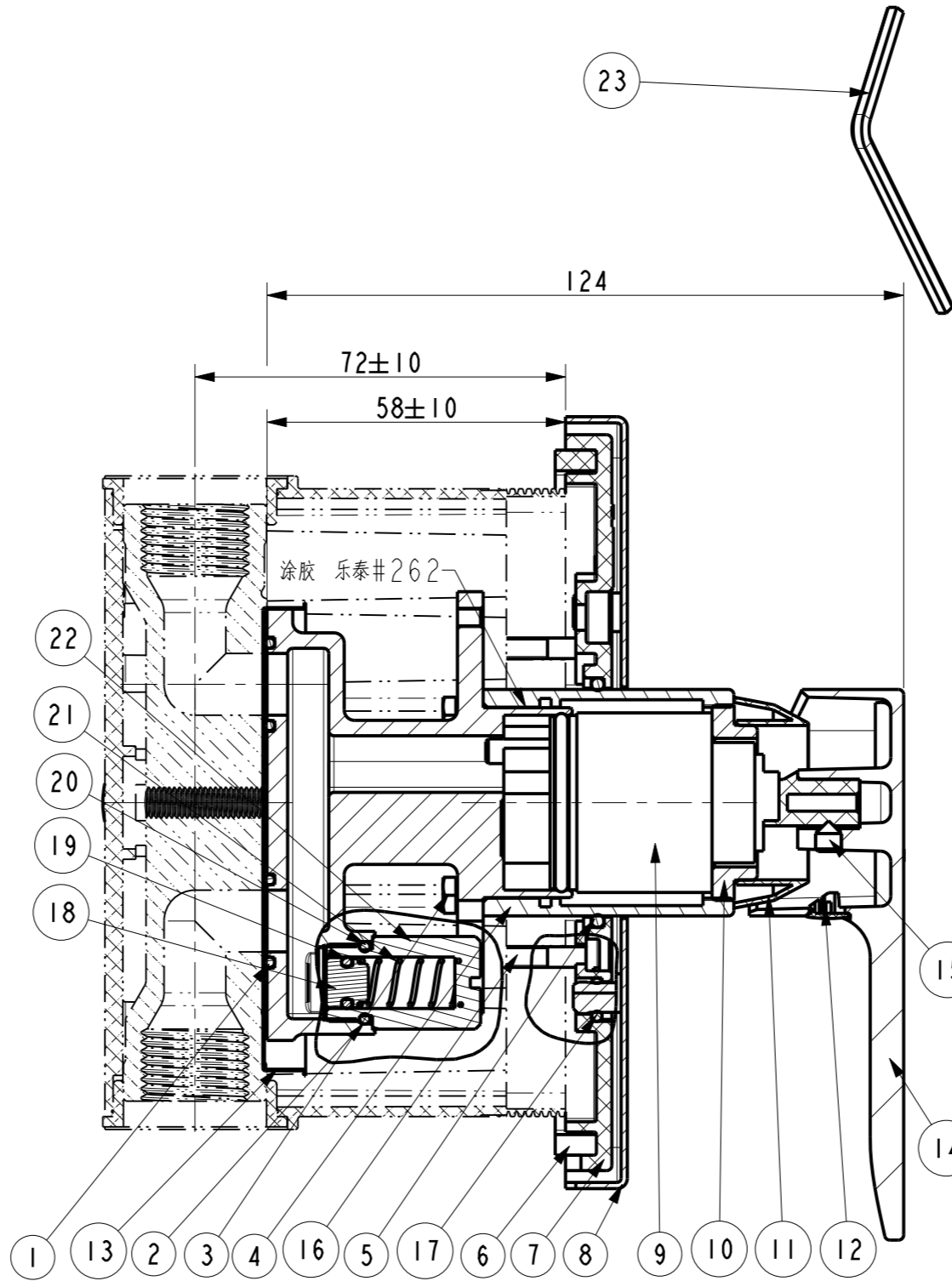


Tolerance, Unless Otherwise Stated, Is			
Above	0.5 to and including	6	±0.1
Excess	6 to and including	30	±0.2
Excess	30 to and including	120	±0.3
Excess	120 to and including	315	±0.5
Excess	315 to and including	1000	±0.8
Excess	1000 to and including	2000	±1.2



SCALE 0.800



SCALE 0.500

23	FF1-CN521Z00000254	1582361599\H01入墙式混水阀内六角柄	1	Q235-A	
22	FF1-CN521J00000359	1582387799\入墙式通用盒安全装置-滑	2	HPb59-1	
21	FF1-CN521Z00000172	1581600099\淋浴柱切换专用弹簧	2	SUS304	
20	FF1-CN521G00000268	158A912682\O环 (Φ11.2*2.0)	2	NER	
19	FF1-CN521G00000322	158E912775\O环 6×2 (E912775)	2	NER	
18	FF1-CN521J00000360	1582387999\入墙式通用盒安全装置-滑	2	HPb59-1	
17	FF1-CN521F00000291	158A912789\O环 (7X2) (Water Mark)	4	NER	
16	FF1-CN521N00000240	158A918564\US感应龙头4'和8'面板	4	SUS304	
15	FF1-CN521N00001099	内六角凹面端紧定螺丝M5x6 (机加工)	1	SUS304	
14	FF1-CN521LDA000199	A41单孔把手-温暖金	1	ZZnA14-1	温暖金
13	FF1-CN521K00000037	1582242499\入墙上本体通用保护泡壳	1	PVC	
12	FF1-CN521Z0000049DA	把手孔塞-温暖金	1	PA	温暖金
11	FF1-CN521F000040DAP	阿卡西亚单孔顶盖(改进型)-温暖金	1	AES	温暖金
10	FF1-CN521N00000091	1580664199\边阿密入墙式浴缸水嘴锁	1	HPb59-1	
9	FF1-CN521C0000359P	C35G高脚阀芯(KC-35B)	1	Assembly	
8	FF1-CN521FDA000280	A41入墙淋浴龙头面板-温暖金	1	H62	温暖金
7	FF1-CN521F00000278	1580774099\A41入墙淋浴龙头固定板	1	ABS	
6	FF1-CN521K00000034	新典入墙面板胶套(海绵垫)4*8*570mm	1	E. V. A	
5	FF1-CN521G00000364	A41阀芯铜套密封圈	1	NER	
4	FF1-CN521JDA000554	1582226250\A41入墙龙头阀芯铜套-温	1	HPb59-1	温暖金
3	FF1-CN521Z00000193	1581722599\六角头螺柱M4X10	4	SUS304	
2	FFZ20622-7085EDMC	新典入墙式淋浴龙头上本体	1	GkMs60Fk	
1	FF1-CN521G00000110	1581212199\O型圈 ϕ14*2	4	NER	
No.	Part No.	Part Name	Qty	Material	Finish

DESIGNED	区振锋	20230601	TITLE	For Universal Box
CHECKED	利华沃	20230601	REF	
APPROVED	李华志	2023.6.1	新阿卡西亚入墙式淋浴龙头控制阀_温暖金	
SCALE	MATERIAL	WEIGHT	DWG NO.	American Standard
4:5			FFAS1322-708DA0BF0	

REV	DESCRIPTION	DATE	NAME