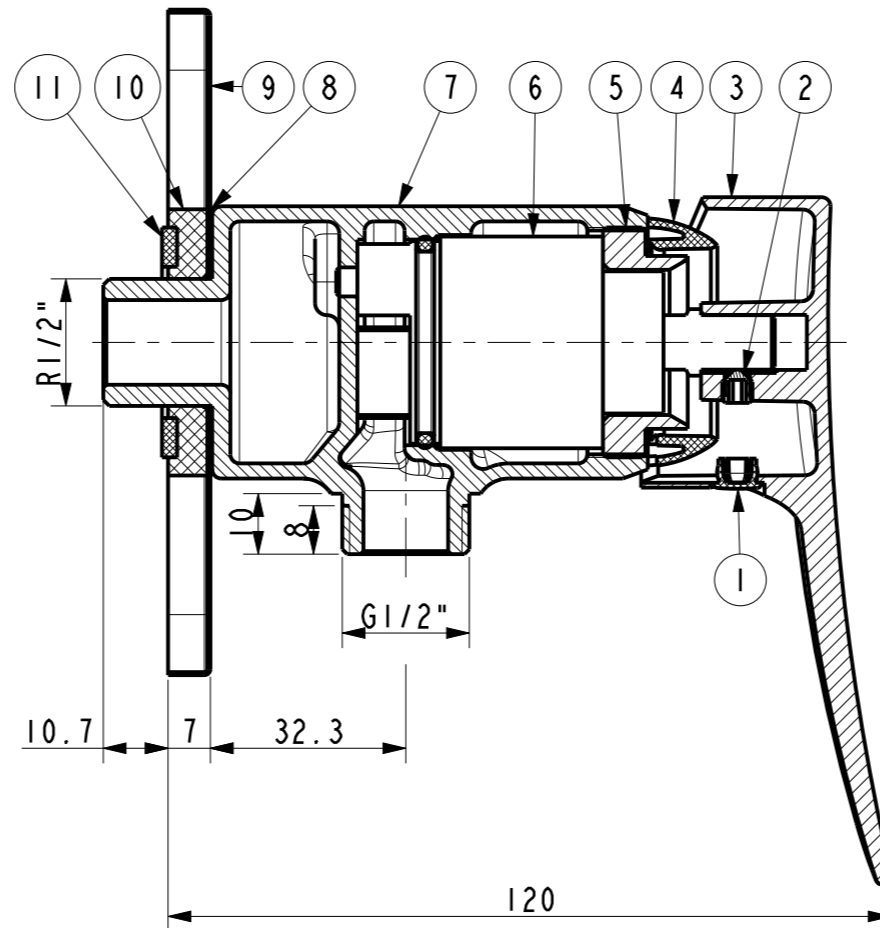
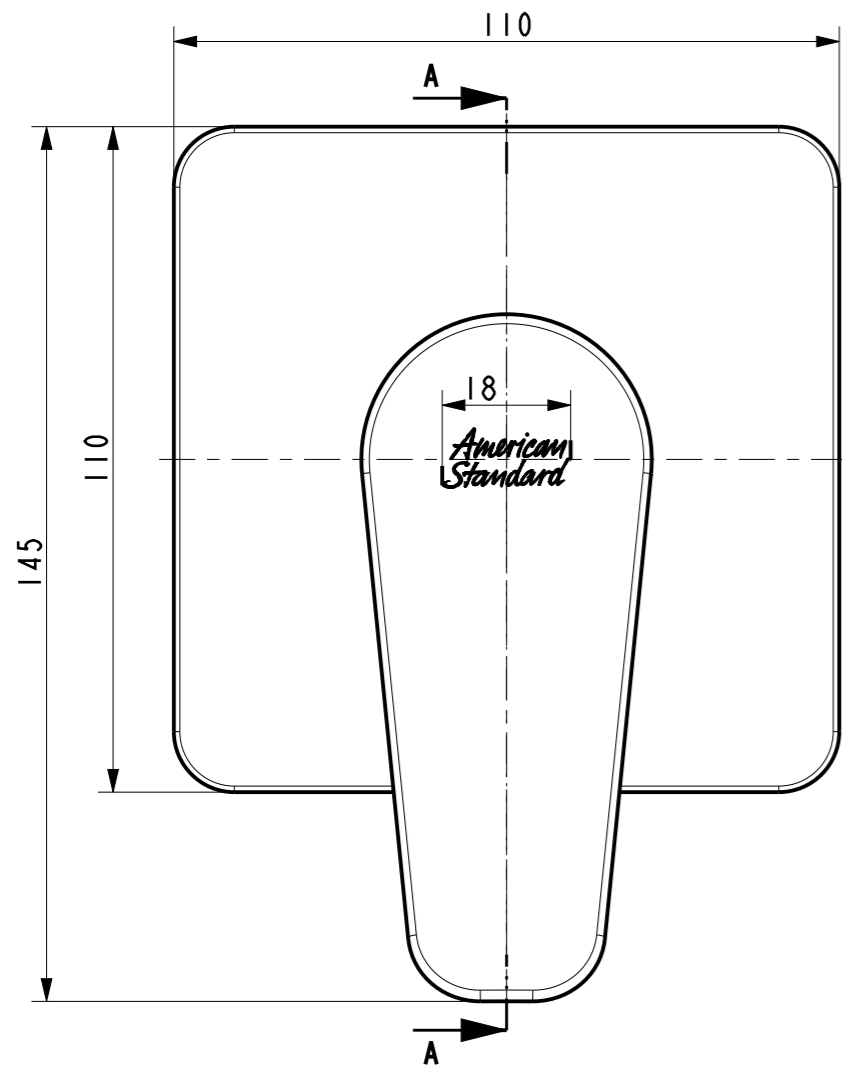
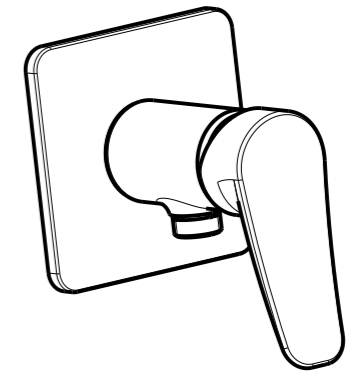


Tolerance, Unless Otherwise Stated, Is			
Above	0.5 to and including	6	±0.1
Excess	6 to and including	30	±0.2
Excess	30 to and including	120	±0.3
Excess	120 to and including	315	±0.5
Excess	315 to and including	1000	±0.8
Excess	1000 to and including	2000	±1.2



SECTION A-A



SCALE 0.300

NO.	PART NO.	PART NAME	QTY	MATERIAL
11	FF1-CN521G00000033	Flat Washer 38*25*2.5	1	NBR
10	FF1-CN521G00000202	Washer(PA66)	1	PA66
9	FF1-CN521F00000127	Cover For Ventuno shower	1	H62
8	FF1-CN521G00000203	Washer(Clarify)	1	PVC
7	FFZZ3926-70150BDPL	Body For Seva Mono Shower	1	GkMs60Fk
6	FF1-CN521C0003599P	C35G High Foot Cartridge (KC-35B)	1	Assembly
5	FF1-CN521N00000068	Cartridge Lock Nut For Sevalo	1	SUS304
4	FF1-CN521F00000054	Cartridge Cap For Sevaloop Line	1	ABS
3	FF1-CN521L000002450	Handle For Single Mono Faucet	1	ZZnAL4-1
2	FF1-CN521N00000228	In-Hex Screw for Celia LeverM5*6	1	SUS304
1	FF1-CN521Z00004950	Plug for handle (Chrome)	1	ABS

DESIGNED			TITLE
CHECKED			REF
APPROVED			Milano Exposed Shower Mono
SCALE	MATERIAL	WEIGHT	DWG NO.
4:5	Assembly		FFAS0926-7T2500BT0

REV	DESCRIPTION	DATE	NAME

