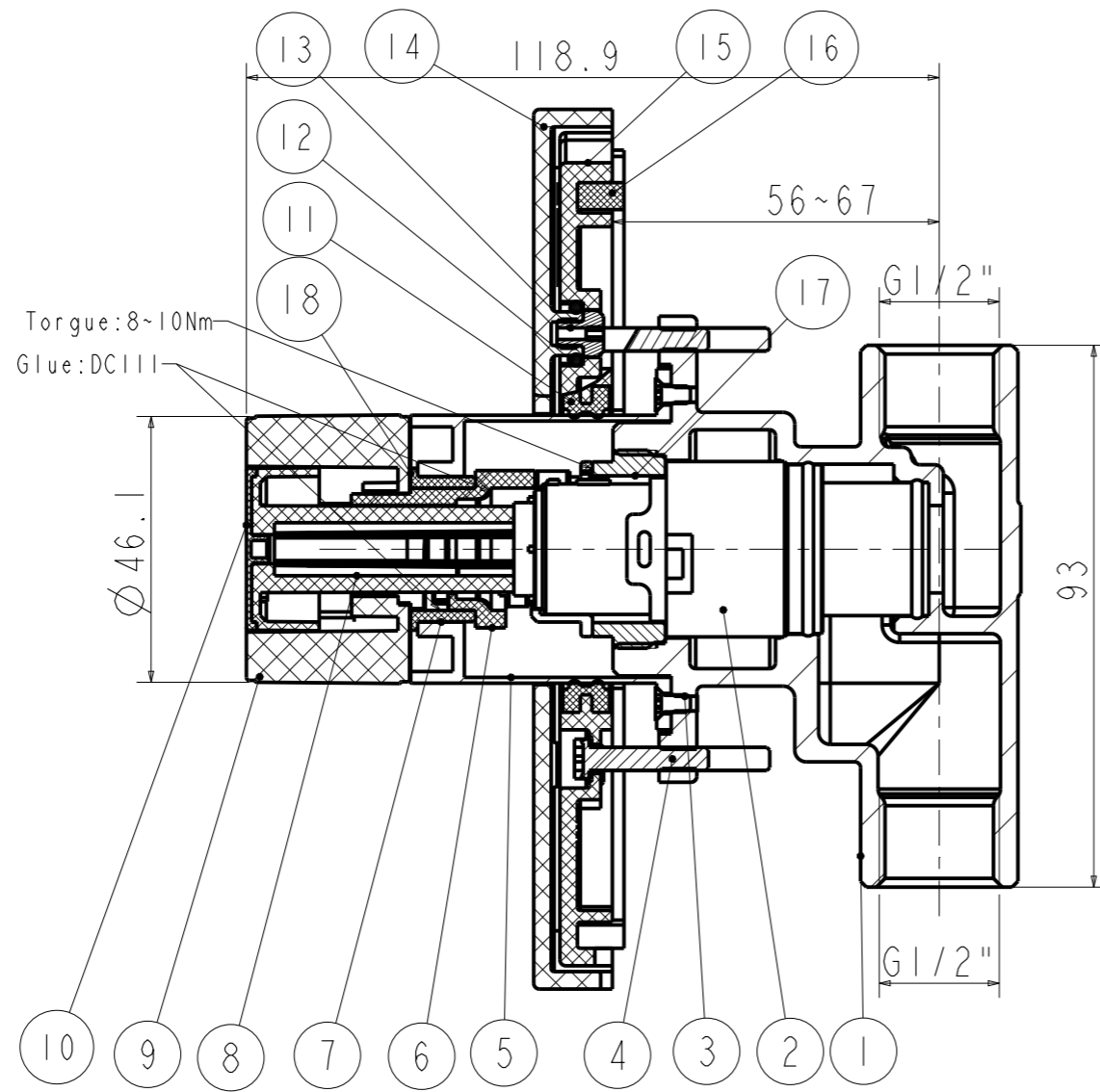
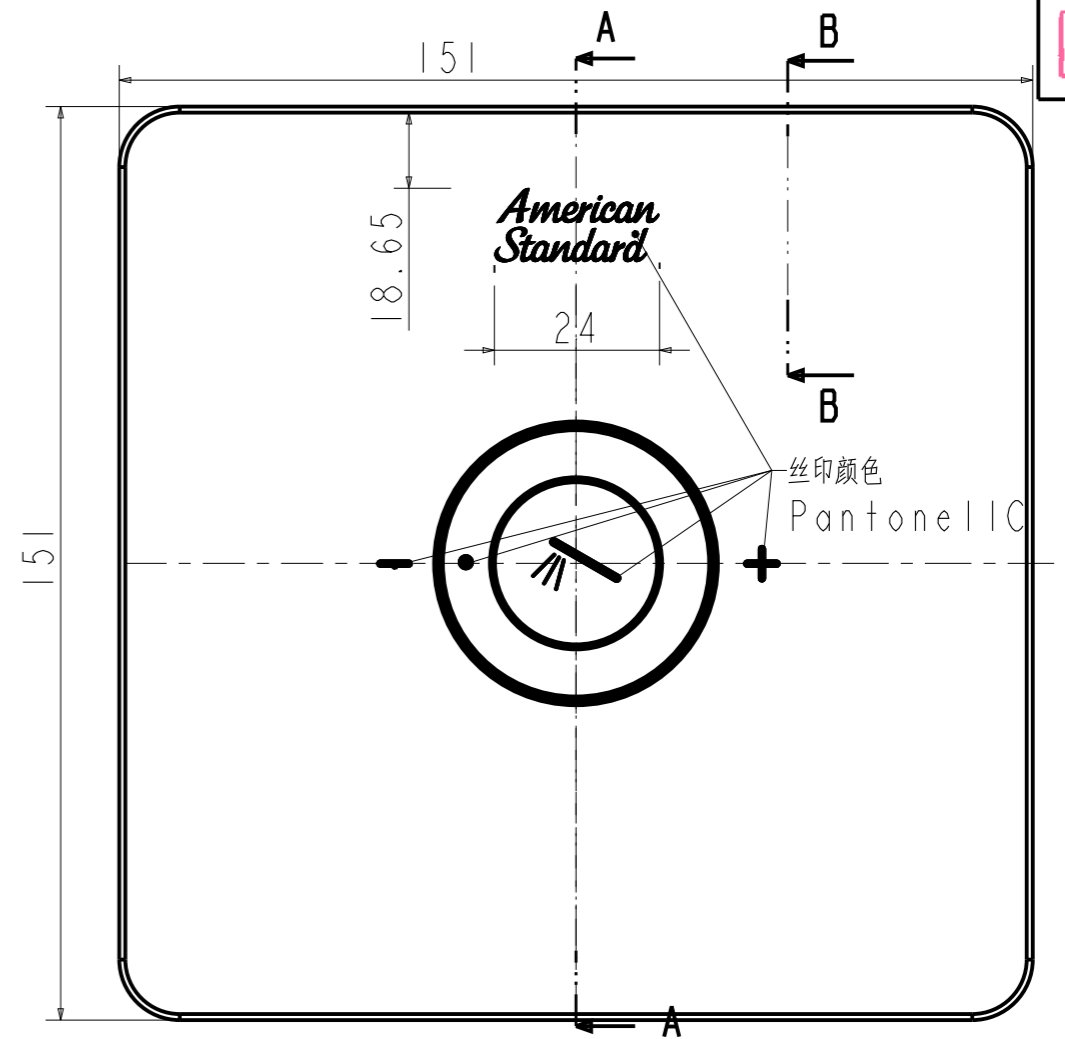
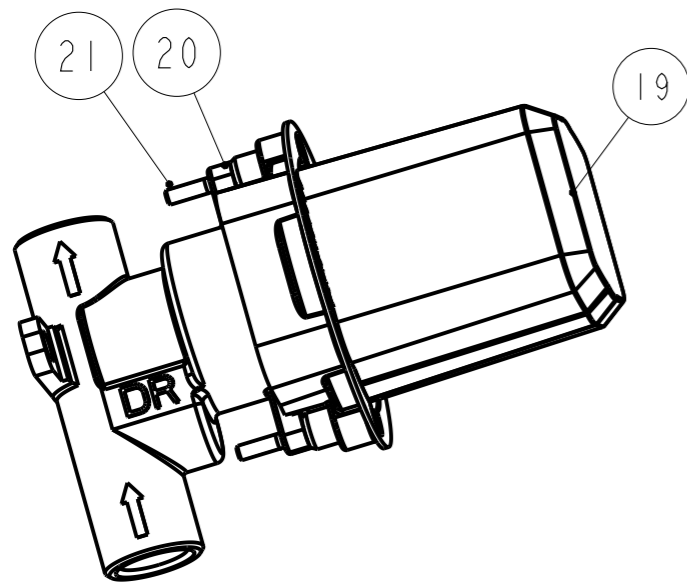


A/O

Tolerance, Unless Otherwise Stated, Is			
Above 0.5 to and including 6	±0.1		
Excess 6 to and including 30	±0.2		
Excess 30 to and including 120	±0.3		
Excess 120 to and including 315	±0.5		
Excess 315 to and including 1000	±0.8		
Excess 1000 to and including 2000	±1.2		



SECTION A-A  
B-B  
SCALE 0.800



NO.	Part NO.	Description	Material	QTY	Surface Treatment
21	FF1-CN521N00000268	158K618253\螺钉(M4X20)	SUS304	2	
20	FF1-CN521J00000338	1582243999\一体式感应中洗阀紧固塑料套	POM	2	
19	FF1-CN521Z00000212	1582240799\入墙淋浴保护套(47#)	PP	1	
18	FF1-CN521G0003799P	垫圈 (26*21*0.2)	TEFLON	1	
17	FF1-CN521N00002299	按钮开关阀芯锁紧螺母	Hpb59-1	1	
16	FF1-CN521K00000034	新典入墙面板胶带(海绵垫)4*8*570mm	EVA	1	
15	FF1-CN521F00000014	1580306799\入墙式淋浴龙头固定板	ABS	1	
14	FF1-CN521FA0000265	逸魅尚入墙式淋浴通用面板-星河灰	ABS	1	星河灰
13	FF1-CN521J00000214	158180199U\入墙面板通用固定螺钉	Hpb59-1	4	Chrome
12	FF1-CN521G00000291	158A912789\O环(7X2)(Water Mark)	EPDM	4	
11	FF1-CN521G00000206	158138759U\O46入墙面板密封圈(56*45*8)	NBR	1	
10	FF1-CN521F00044A0P	按钮装饰盖(手洒)-星河灰	ABS	1	星河灰
9	FF1-CN521L00041A0P	入墙按压阀把手-星河灰	ABS	1	星河灰
8	FF1-CN521J0010409P	入墙按压阀按钮(白色)	POM	1	
7	FF1-CN521J0010599P	入墙按压阀定位套	POM	1	
6	FF1-CN521J0010699P	入墙按压阀把手连接套	POM	1	
5	FF1-CN521J00108A0B	入墙按压阀铜套-星河灰	Hpb59-1	1	星河灰
4	FF1-CN521N00000185	1581839699\感应中洗阀紧固板紧固螺钉	SUS304	2	
3	FF1-CN521N00000269	迈阿密单孔盆水嘴限位螺钉(GB/T819.1)	SUS304	2	
2	FF1-CN521C00000499	按钮开关阀芯	Assembly	1	
1	FFZZ0021-0010599MC	入墙式按压开关控制阀本体	BSC3(DZR)	1	

DESIGNED	CHECKED	APPROVED	SCALE	MATERIAL	WEIGHT	TITLE
区振锋	利华斌	李华斌	4:5	Assembly	[.0]	EasySET for Hand Shower_A00
2023.11.09	2023.11.09	2023.11.9				REF
						易舒喜入墙控制阀(手洒)_星河灰
						FFAS0925-709A00BF0
						<b>American Standard</b>

REV	DESCRIPTION	DATE	NAME