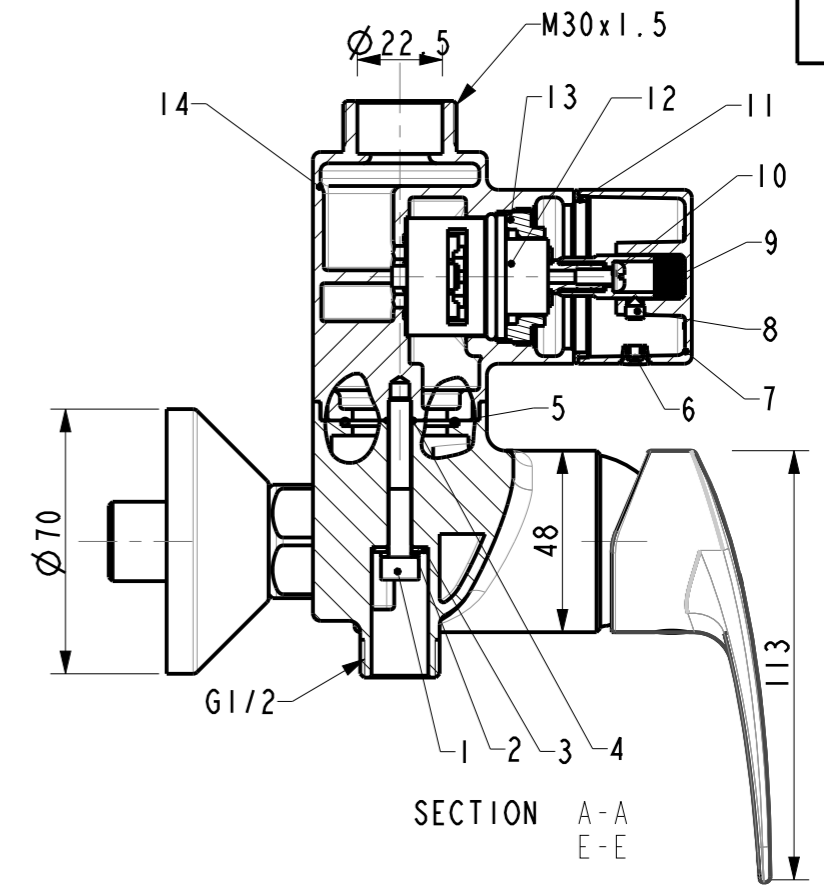
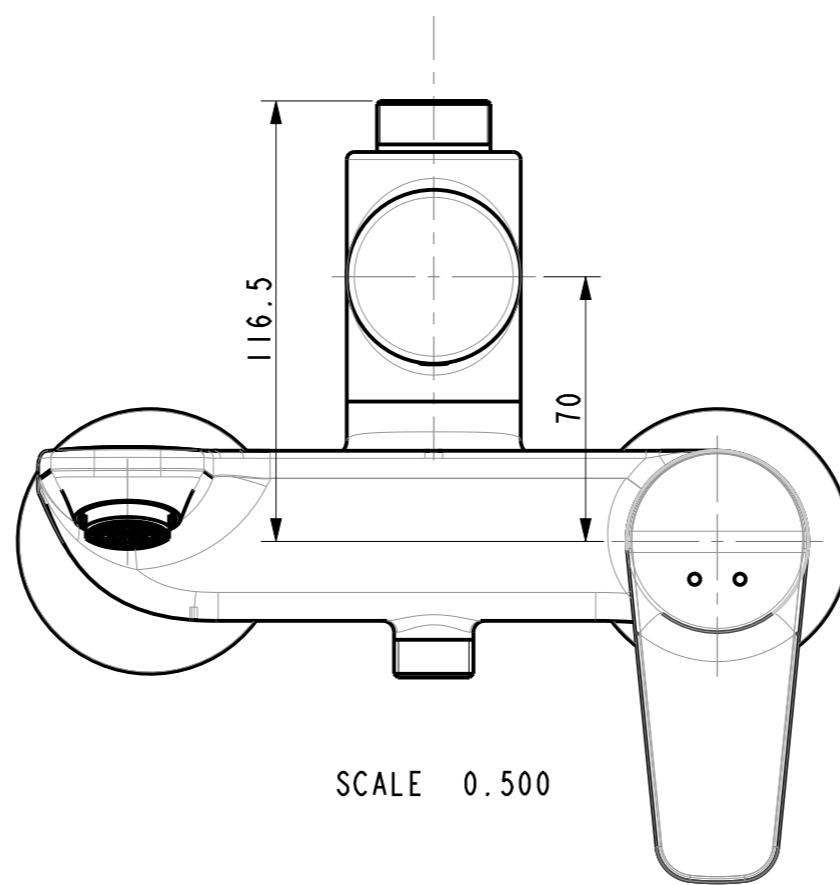
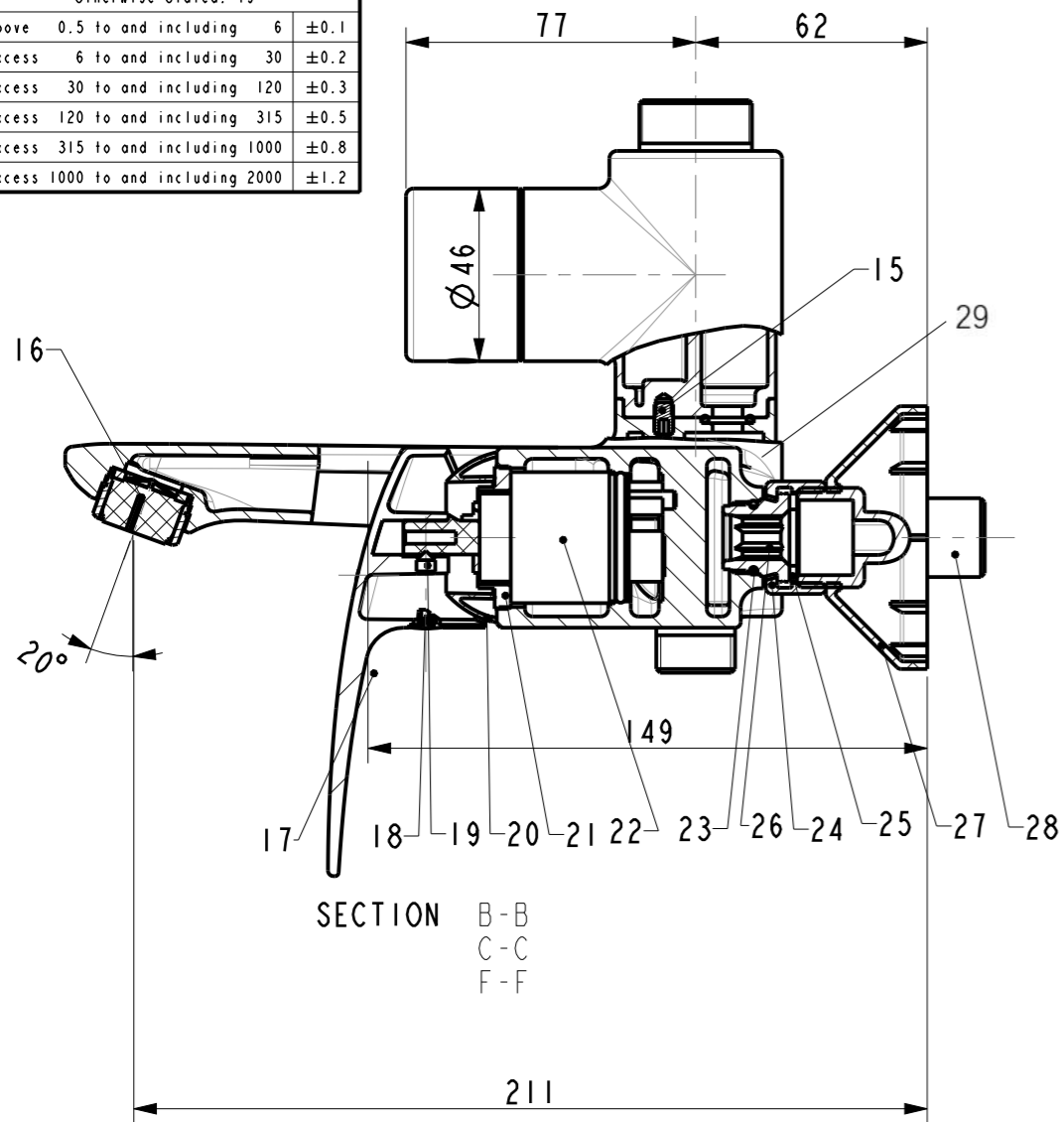


Tolerance, Unless Otherwise Stated, Is				
Above	0.5 to and including	6	±0.1	
Excess	6 to and including	30	±0.2	
Excess	30 to and including	120	±0.3	
Excess	120 to and including	315	±0.5	
Excess	315 to and including	1000	±0.8	
Excess	1000 to and including	2000	±1.2	



29	FFZZ0972-70150BDPL	Body for Milano Rain Shower M	1	GkMs60Fk	Chrome
28	FF1-CN521J00000242	Small S Con Tube (Cr)	2	SUS304	
27	FF1-CN521F00000094	2000 Escutcheon(Cr)	2	ABS	Chrome
26	FF1-CN521W00000048	THREADED NIPPLE,N	2	Hpd59-1	
25	FF1-CN521G00000341	Washer Φ24*Φ15*2	2	NBR70	
24	FF1-CN521N00000291	NUT-G3/4inch,Cr	2	Hpd59-1	Chrome
23	FF1-CN521G00000112	O-Ring 15.6*1.78	2	NBR70	
22	FF1-CN521C00001399	C35G-1 Cartridge	1	Assembly	
21	FF1-CN521N00000096	Acacia spool fastening nut	1	SUS 304	
20	FF1-CN521F00000026	Cartridge Cover For Active Exposed BnS	1	ABS	Chrome
19	FF1-CN521N00001099	In-Hex Screw M5*6 (Machine)	1	SUS 304	
18	FF1-CN521Z00004950	Plug for handle (Chrome)	1	ABS	Chrome
17	FF1-CN521L00000046	Handle for New Mass SH - Typeb	1	ZZnAL4-1	Chrome
16	FF1-CN521A00000050	Aerator for Korean Market	1	Assembly	
15	FF1-CN521N00000184	Set Screw for Acacia Handle	1	SUS 304	
14	FFZZ0972-70150BVPL	Diverter Body for Milano Rain	1	GkMs60Fk	Chrome
13	FF1-CN521N00000099	Nut for Diverter	1	Hpd59-1	
12	FF1-CN521C00000013	3 Way Diverter	1	Assembly	
11	FF1-CN521W00000013	Gasket for Concealed Thermost	1	PA66	
10	FF1-CN521N00000161	Fairline Tap Handle Serew	1	SUS 304	
9	FF1-CN521J00000163	Adapter for La Moda	1	Hpd59-1	
8	FF1-CN521N00000228	In-Hex Screw for Celia LeverM5*6	1	SUS 304	
7	FF1-CN521L00000014	Diverter Handle for New Mass	1	ZZnAL4-1	Chrome
6	FF1-CN521Z00000086	Index Button for TONIC Fitting line	1	ABS	
5	FF1-CN521G00000276	ORing φ 10*φ 2	5	NBR70	
4	FF1-CN521G00000336	O-Ring 6*1	1	NBR70	
3	FF1-CN521W00000012	Washer(14*6*1.6, stainless steel	1	SUS 304	
2	FF1-CN521Z00000153	Φ6 Spring Washer	1	SUS 304	
1	FF1-CN521N00000144	Inner Hexagon Bolt M6X42	1	SUS 304	
NO.	PART NO.	PART NAME	QTY	MATERIAL	FINISH

DESIGNED			TITLE
CHECKED			REF
APPROVED			Milano Exposed Bath & Shower Mixer for Shower System
SCALE	MATERIAL	WEIGHT	DWG NO.
1:2	Assembly		FFAS0972-702500BFO

REV	DESCRIPTION	DATE	NAME

American Standard