

## Concept Square

---

Paper Holder with Cover  
FFAS0489-908500BC0



### FEATURES

- Modern design
- Zinc die casting base & pole
- SUS201 rod
- SUS304 cover, polish finish
- SUS201 screw
- Black window box packaging

### SPECIFICATIONS

- Paper Holder with Cover
- Chrome Finish

### FINISHES AVAILABILITY

- Chrome (- CP)

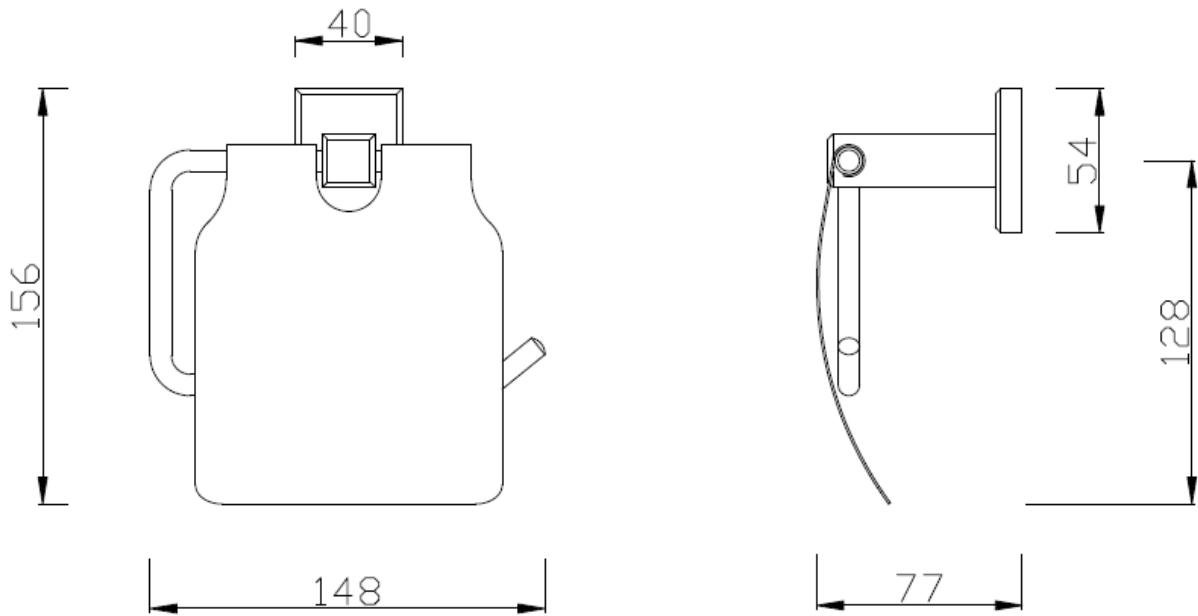
### SHIPPING WEIGHT

- Net Weight: 0.6 KG
- Gross Weight: 0.62 KG

### STANDARDS CRITERIA

- QB/T 1560-2006

## DIMENSIONAL DRAWING



---

This document is the property of American Standard. It can neither be reproduced, nor communicated, without authorization.

American Standard reserves the right to change dimensions and specifications without notice; we assume no liability for the use of obsolete dimensions.