

## Neo Modern

---

Extended Basin Mixer with  
Pop-up Drain  
FFAS0703-101500BF0



### FEATURES

- Modern design that can fit with any style of bathroom
- Part of Neo Modern Collection
- Ceramic disc valve for a life time use
- Strong brass construction
- Nickel and chromium plating for durable finish
- Brass Pop-up drain
- Flow Rate @ 0.1 MPa: 3.12 L/Min

### SPECIFICATIONS

- Extended Basin Mixer with Pop-up Drain
- Single-Hole Installation
- Spout Reach: 146 mm
- Spout Height: 237 mm

### FINISHES AVAILABILITY

- Chrome (- CP)

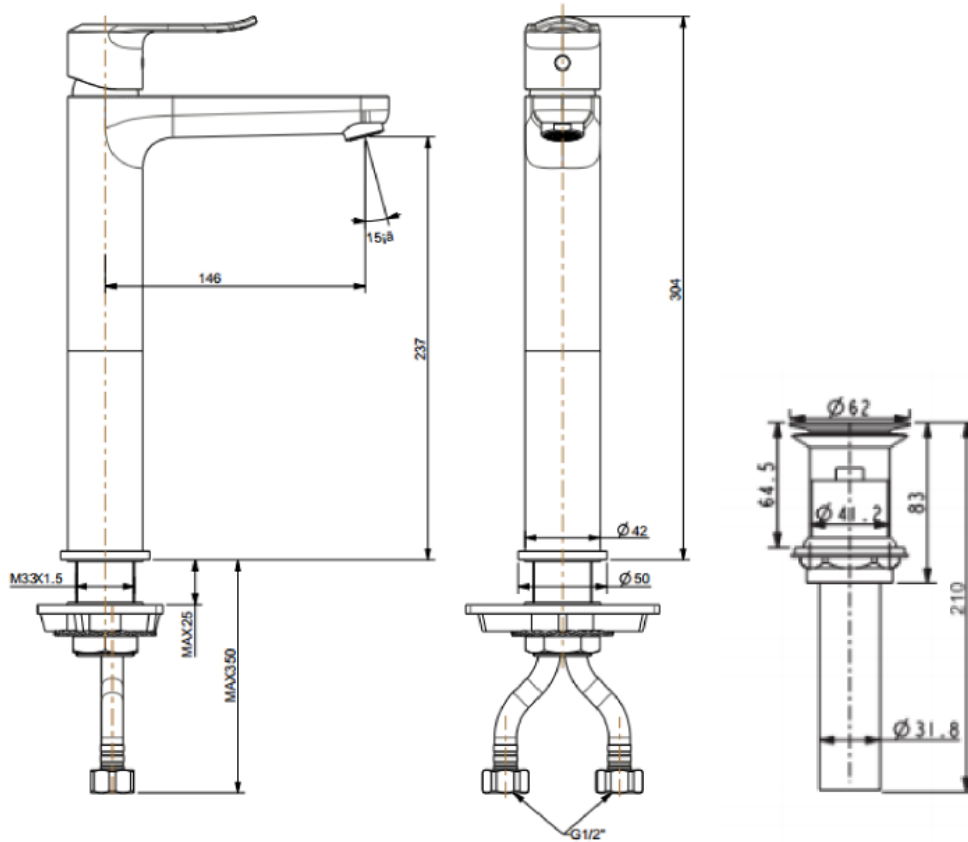
### SHIPPING WEIGHT

- Net Weight: 2.55 KG
- Gross Weight: 2.8 KG

### STANDARDS CRITERIA

- TIS 2067-2552
- GB 18145-2014

## DIMENSIONAL DRAWING



This document is the property of American Standard. It can neither be reproduced, nor communicated, without authorization.

American Standard reserves the right to change dimensions and specifications without notice; we assume no liability for the use of obsolete dimensions.