

## Neo Modern

---

Basin Mixer with Pop-up Drain  
FFAS0701-101500BF0



### FEATURES

- Modern design that can fit with any style of bathroom
- Part of Neo Modern Collection
- Ceramic disc valve for a life time use
- Strong brass construction
- Nickel and chromium plating for durable finish
- Pop-up drain
- Flow Rate @ 0.1 MPa: 3.12 L/Min

### SPECIFICATIONS

- Basin Mixer with Pop-up Drain
- Single-Hole Installation
- Spout Reach: 95 mm
- Spout Height: 63 mm

### FINISHES AVAILABILITY

- Chrome (- CP)

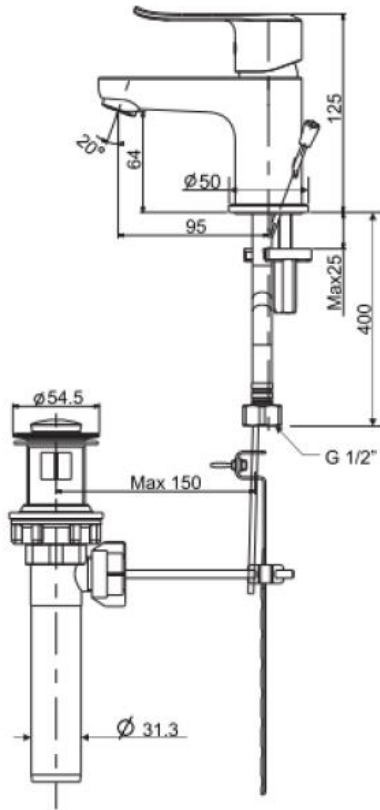
### SHIPPING WEIGHT

- Net Weight: 1.6 KG
- Gross Weight: 1.6 KG

### STANDARDS CRITERIA

- TIS 2067-2552
- GB 18145-2014

## DIMENSIONAL DRAWING



---

This document is the property of American Standard. It can neither be reproduced, nor communicated, without authorization.

American Standard reserves the right to change dimensions and specifications without notice; we assume no liability for the use of obsolete dimensions.