

## Neo Modern

---

Basin Mono

FFAS0706-101500BF0



### FEATURES

- Water Saving
- EcoStart
- Durashine

### SPECIFICATIONS

- 25mm Ceramic Disc Cartridge, Life Cycle: 500,000 cycle;
- Zinc Die Casting Handle, Chrome Finish;
- Cast Brass Body, Chrome Finish;
- W/ Neoperl M24X1 Aerator, Flow Rate is less than 6L/min at 1bar;
- W/o Pop-up Drain;
- Surface Treatment: Ni $\geq$ 6.0u, Cr $\geq$ 0.2u;
- Water Pressure: 0.5bar ~ 7.5bar;
- Recommended Water Pressure: 1bar ~ 5bar;

### FINISHES AVAILABILITY

- Chrome (- CP)

### SHIPPING WEIGHT

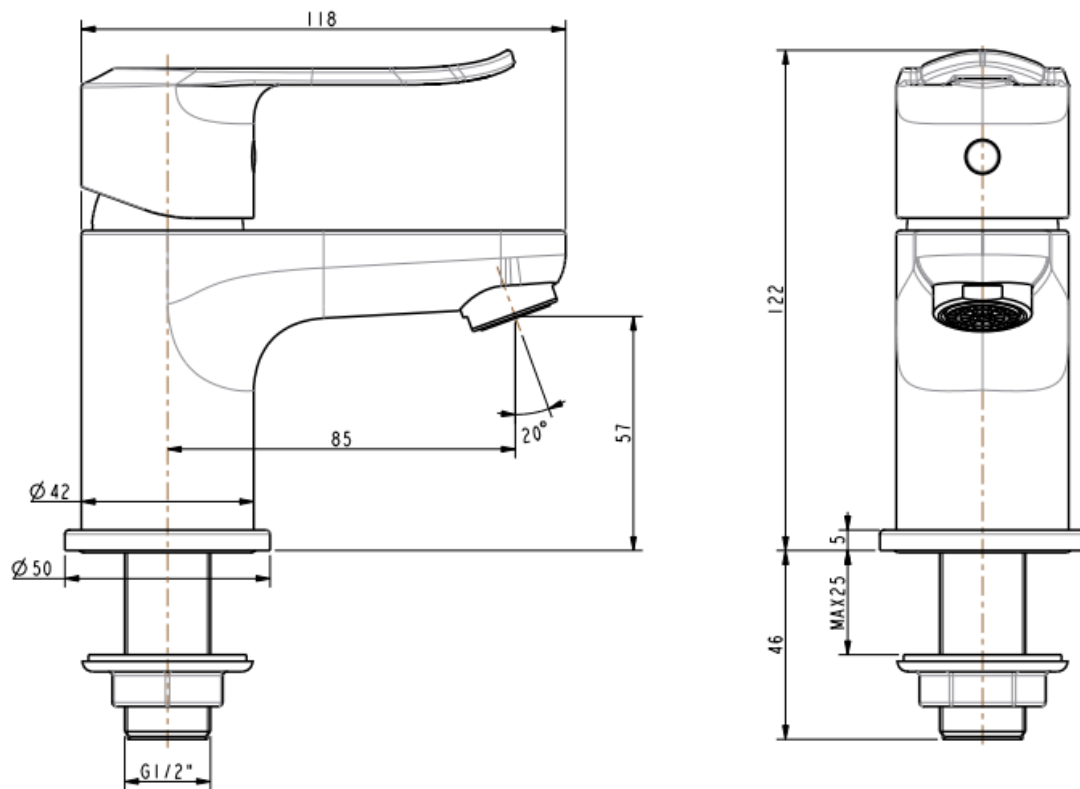
- Gross Weight: 1.6 KG

### STANDARDS CRITERIA

- TIS 2067-2544

# American Standard

## DIMENSIONAL DRAWING



This document is the property of American Standard. It can neither be reproduced, nor communicated, without authorization.

American Standard reserves the right to change dimensions and specifications without notice; we assume no liability for the use of obsolete dimensions.