

Milano

Basin Mixer with Pop-up Drain
FFAS0901-102500BF0



FEATURES

- Water Saving
- Comfort Move
- Durashine

SPECIFICATIONS

- 35mm Ceramic Disc Cartridge, Life Cycle: 500,000 cycle
- Zinc Die Casting Handle, Chrome Finish
- Cast Brass Body, Chrome Finish
- With Neoperl M24X1 Aerator, Flow Rate is less than 6L/min at 1bar
- With 450mm Flexible Hose
- With Pop-up Drain
- Surface Treatment: Ni \geq 6.0u, Cr \geq 0.2u
- Water Pressure: 0.5bar ~ 7.5bar
- Recommended Water Pressure: 1bar ~ 5bar

FINISHES AVAILABILITY

- Chrome (- CP)

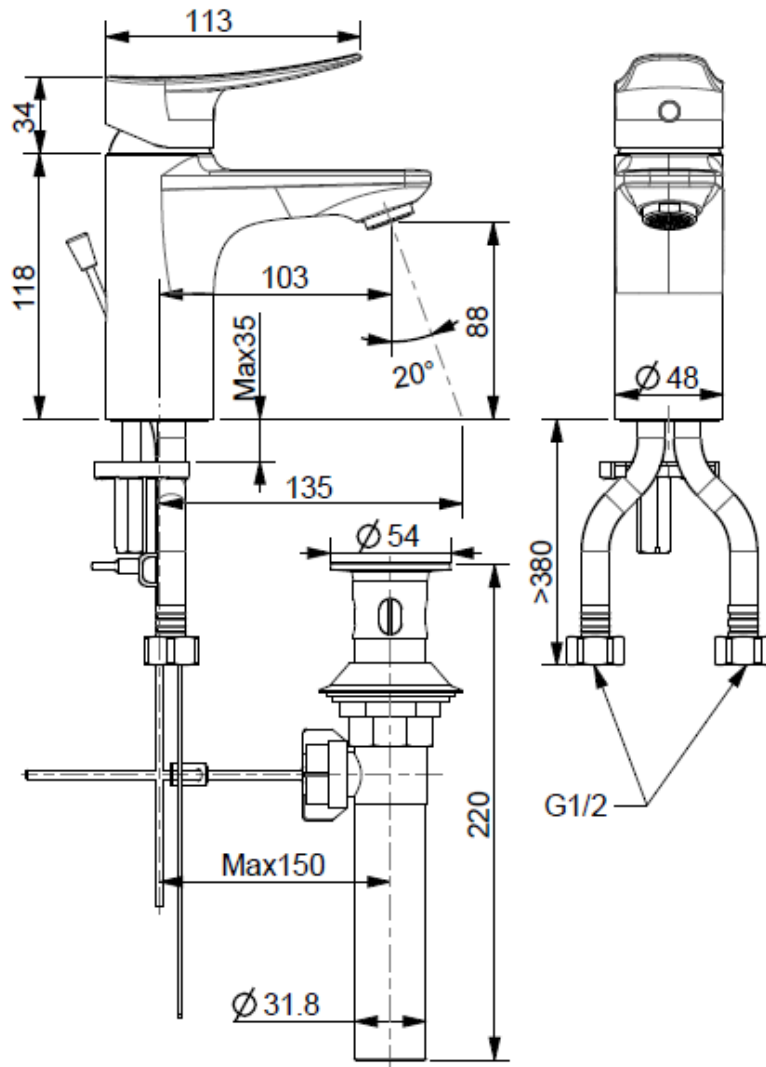
SHIPPING WEIGHT

- Gross Weight: 1.86 KG

STANDARDS CRITERIA

- GB 18145-2014

DIMENSIONAL DRAWING



This document is the property of American Standard. It can neither be reproduced, nor communicated, without authorization.

American Standard reserves the right to change dimensions and specifications without notice; we assume no liability for the use of obsolete dimensions.