

Milano

Exposed Bath & Shower Mixer
with Shower Kit
FFAS0911-602500BF0



FEATURES

- Airnergize
- Twist Free
- Durashine

SPECIFICATIONS

- 35mm Ceramic Disc Cartridge, Life Cycle: 500,000 cycle
- Zinc Die Casting Handle, Chrome Finish
- Cast Brass Body, Chrome Finish
- W/ Neoperl M24X1 Aerator, Flow Rate is more than 6L/min at 1bar
- W/ 2-Way Diverter for Spout and Hand Shower
- W/ 5-Functions Air-in Hand Shower, Flow Rate is less than 8L/min at 1bar
- W/ 1.5m Twist Free Metal Hose
- Surface Treatment: Ni \geq 6.0u, Cr \geq 0.2u
- Water Pressure: 0.5bar ~ 7.5bar
- Recommended Water Pressure: 1bar ~ 5bar

FINISHES AVAILABILITY

- Chrome (- CP)

SHIPPING WEIGHT

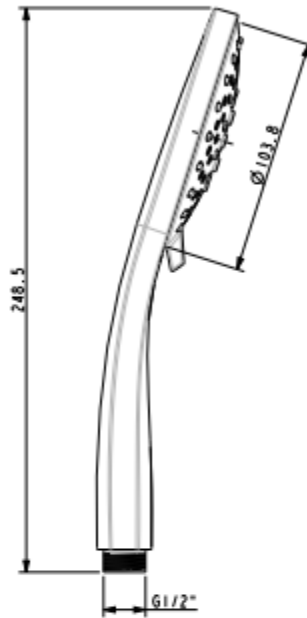
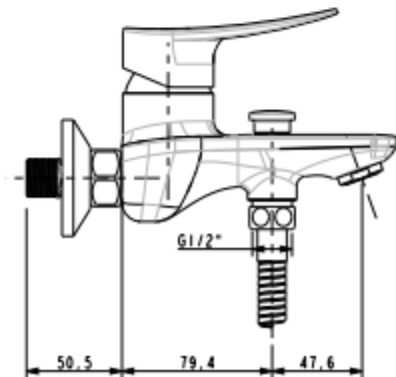
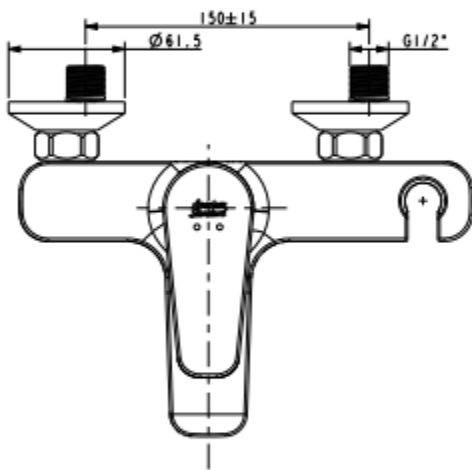
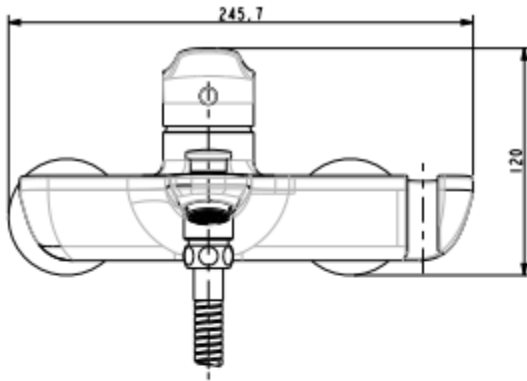
- Gross Weight: 2.46 KG

STANDARDS CRITERIA

- TIS 2066-2544
- GB 18145-2014

American Standard

DIMENSIONAL DRAWING



This document is the property of American Standard. It can neither be reproduced, nor communicated, without authorization.

American Standard reserves the right to change dimensions and specifications without notice; we assume no liability for the use of obsolete dimensions.

American Standard