

## Acacia Evolution

---

Soap Dish

FFAS1382-908500BC0



### FEATURES

- Simple design
- Zinc die casting base
- Glass Dish, Frosting Finish
- SUS304 screw
- Black box packaging

### SPECIFICATIONS

- Soap dish
- Chrome Finish

### FINISHES AVAILABILITY

- Chrome (- CP)

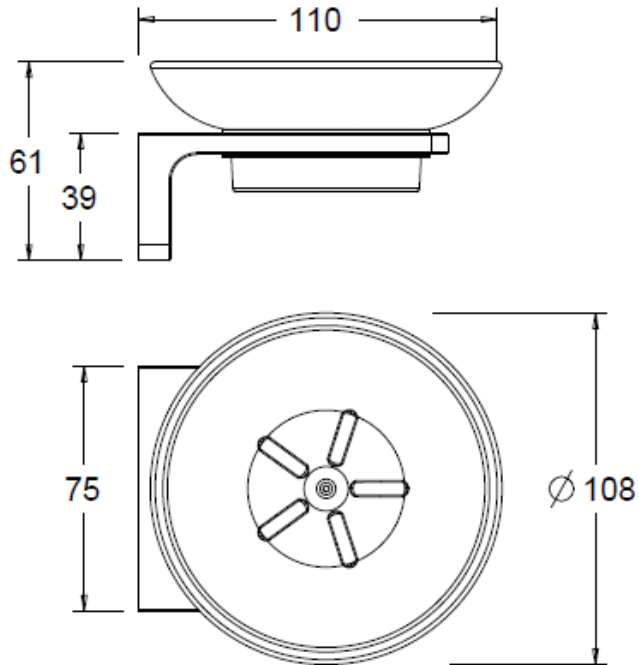
### SHIPPING WEIGHT

- Net Weight: 0.5 KG
- Gross Weight: 0.55 KG

### STANDARDS CRITERIA

- QB/T 1560-2006

## DIMENSIONAL DRAWING



---

This document is the property of American Standard. It can neither be reproduced, nor communicated, without authorization.

American Standard reserves the right to change dimensions and specifications without notice; we assume no liability for the use of obsolete dimensions.