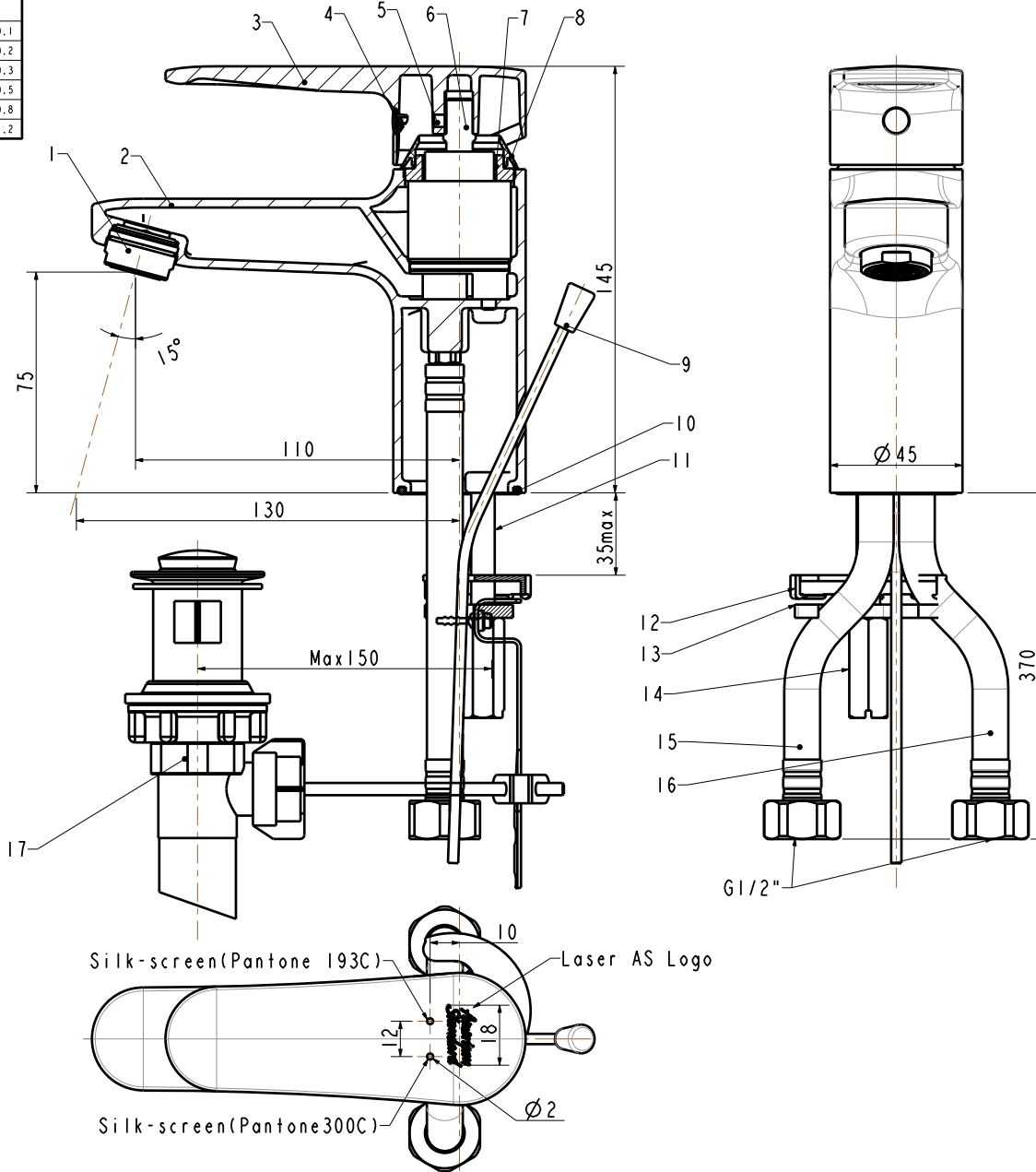


| Tolerance, Unless<br>Otherwise Stated, Is |      |      |
|---|------|------|
| Above 0.5 to and including 6              | 6    | ±0.1 |
| Excess 6 to and including 30              | 30   | ±0.2 |
| Excess 30 to and including 120            | 120  | ±0.3 |
| Excess 120 to and including 315           | 315  | ±0.5 |
| Excess 315 to and including 1000          | 1000 | ±0.8 |
| Excess 1000 to and including 2000         | 2000 | ±1.2 |



|     |                    |                                      |          |     |        |
|-----|--------------------|--------------------------------------|----------|-----|--------|
| 18  | FF1-CN521Z00000254 | In-Hex Wrench for H01 Mixer          | Q235     | 1   |        |
| 17  | FF1-CN521X0018599P | Plastic Drain(Ru 1Type)              | Assembly | 1   |        |
| 16  | FF1-CN521T0004999P | The Flexible Pipe for Tonic ASKI Sin | Assembly | 1   |        |
| 15  | FF1-CN521T0004899P | The Flexible Pipe for Tonic ASKI Sin | Assembly | 1   |        |
| 14  | FF1-CN521N00000073 | Improve GNV Sgl Hole FT LockNutNut   | HPb59-1  | 1   |        |
| 13  | FF1-CN521I00000432 | Iron Plate A923271 (BVBA)            | Q235     | 1   |        |
| 12  | FF1-CN521G00000238 | Gasket (A911942)                     | NBR      | 1   |        |
| 11  | FF1-CN521Z00000438 | MOUNTING STUD-SF1520, N              | SUS304   | 1   |        |
| 10  | FF1-CN521G00000159 | 1581220699\O-Ring 37*2.5             | NBR      | 1   |        |
| 9   | FF1-CN521Z00000300 | Lift Rod for Neo Modern              | Assembly | 1   |        |
| 8   | FF1-CN521F00000042 | Cover For Cartridge                  | ABS      | 1   |        |
| 7   | FF1-CN521N00000091 | Lock Nut for Minimalistic InWall Bat | HPb59-1  | 1   |        |
| 6   | FF1-CN521C00001399 | C35G-1 Cartridge                     | Assembly | 1   |        |
| 5   | FF1-CN521N00000228 | Screw                                | SUS304   | 1   |        |
| 4   | FF1-CN521Z00000086 | Index Button for TONIC Fitting line  | ABS      | 1   |        |
| 3   | FF1-CN521L00000197 | Handle For A51 Single Hole Lava Fauc | ZZnA14-1 | 1   |        |
| 2   | FFZZ0021-0000550PL | Body For Simplica Single Hole Lava F | GKMs60FK | 1   |        |
| 1   | FF1-CN521A00000043 | Aerator                              | Assembly | 1   |        |
| NO. | Part NO.           | Name                                 | material | QTY | Remark |

| DESIGNED | CHECKED | APPROVED | SCALE | MATERIAL | WEIGHT | TITLE  |
|----------|---------|----------|-------|----------|--------|--|
|          |         |          | 3:5   | Assembly |        | REF<br>Simplica Basin Mixer with<br>Pop-up Drain |
|          |         |          |       |          |        | DWG NO.  |

| REV | DESCRIPTION | DATE | NAME |
|-----|-------------|------|------|
|     |             |      |      |

*American  
Standard*